



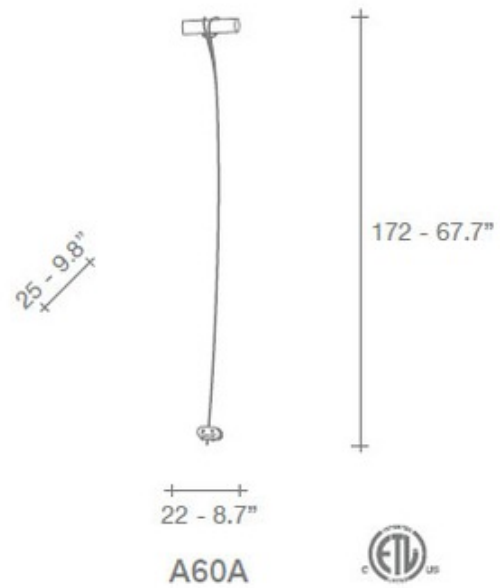
DESIGNER Jean-Francois Crochet
BRAND Terzani USA

DESCRIPTION

Alaya wall sconce features a perpendicular band of glass entwined by a delicate knot available in gold glass with rust finish or white glass with satin nickel finish. One 100 watt T3 R7S lamp not included. 67.7 inches high x 8.7 inches wide x 9.8 inches deep. ETL listed. Designed by Jean-Francois Crochet.



SHADE COLOR	Gold
BODY FINISH	Rust
WATTAGE	100W
DIMMER	Standard 120V
DIMENSIONS	8.7"W x 67.7"H x 9.8"D
BULB NOT INCLUDED	
LAMP	1 x T3SHORT/R7s (RSC)/100W/120V Halogen
SPEC #	TRZ15582



COMPANY	PROJECT	FIXTURE TYPE	APPROVED BY	DATE