

BRAND

Bartco Lighting Co.

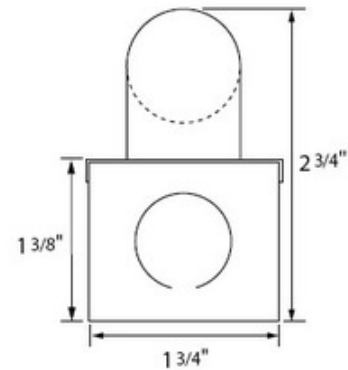
DESCRIPTION

MIT8 is a low profile, linear T8 fluorescent, architectural fixture with an integral ballast. Fully assembled housing is formed and welded, 20 ga. steel, chemically treated to resist corrosion and enhance paint adhesion. Standard 120v electronic high power factor ballast is pre-wired to the lamp holders. General light distribution. UL listed for dry and damp locations. Made in the U.S.A.



SHADE COLOR	White
BODY FINISH	White
WATTAGE	17W
DIMMER	N/A
DIMENSIONS	24"L
BULB NOT INCLUDED	
LAMP	T8/T8 Bipin (G13)/17W/120V Fluorescent

SPEC # BAR23001



COMPANY	PROJECT	FIXTURE TYPE	APPROVED BY	DATE