

DESIGNER Guiseppe Maurizio Scutella
BRAND Artemide

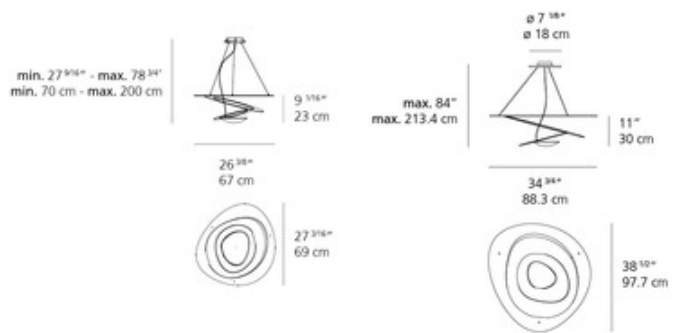
DESCRIPTION

The Pirce Halogen Suspension features a continuous piece of White aluminum in a unique spiral pattern with stainless steel suspension cables. Winner of the Red Dot Design Award in 2009. One 300 watt 120 volt T3 R7s halogen bulb is included. Indirect light distribution. 34.75 inch width x 11 inch height x 38 inch depth x 84 inch maximum length. UL listed.



SHADE COLOR N/A
BODY FINISH White
WATTAGE 300W
DIMMER Standard 120V
DIMENSIONS 84"L x 34.75"W x 11"H x 38"D
BULB INCLUDED
LAMP 1 x T3LONG/R7s (RSC)/300W/120V Halogen

SPEC # ART51230



COMPANY	PROJECT	FIXTURE TYPE	APPROVED BY	DATE