



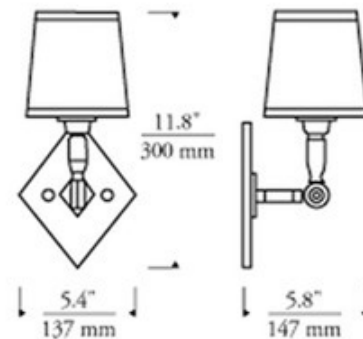
BRAND Visual Comfort Modern

DESCRIPTION

Webster wall sconce features a cast diamond shaped back plate with an elegant fabric shade and is available with or without decorative metal cage. Shade color available in white or desert clay. Finish available in antique bronze, polished nickel and satin nickel. Mount to 4 inch square electrical box with round plastic ring or an octagon electrical box. One 60 watt, 120 volt, T4, G9 bi-pin base halogen lamp included. General light distribution. ETL listed. Suitable for damp locations. 5.4W x 11.8H x 5.8 inch depth.



SHADE COLOR	Desert Clay
BODY FINISH	Antique Bronze
WATTAGE	60W
DIMMER	Standard 120V
DIMENSIONS	5.4"W x 11.8"H x 5.8"D
BULB INCLUDED	
LAMP	JCD/G9/60W/120V Halogen



SPEC # TLG55254

COMPANY	PROJECT	FIXTURE TYPE	APPROVED BY	DATE