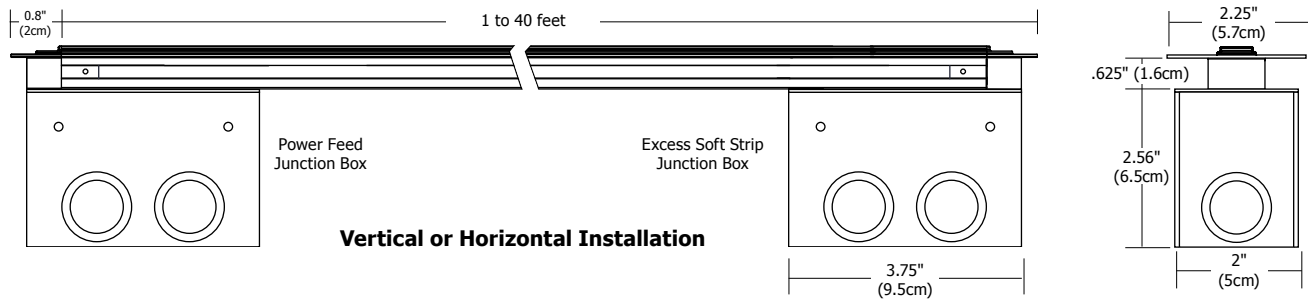


Patent Pending



Description: TruLine .5 creates glare-free architectural lighting accents within drywall. The 24VDC linear LED system features a shallow, 1/2" deep plaster-in aluminum extrusion no thicker than drywall that houses a single row of high CRI, commercial grade white LED Soft Strip. Its .5" wide diffuser lens projects a clean line of light without LED dots. System mounts directly to studs without joist modification. TruLine is sold in 1 foot increments up to 40 feet (2.5W) or 20 feet (5W) and may be field-cut to any length. Coordinate installation with electrician and drywall contractors. Fixture includes a 5 year warranty.

Design Notes: TruLine runs in a straight line. The LED strip bends along the LED plane, allowing runs to continue from a wall onto a ceiling. Intersecting runs on the same wall require two separate TruLine systems.

Applications: Indoor Only—General illumination and architectural accent lighting for offices, hospitality, retail, residences, libraries, closets, hallways, bath/vanity.

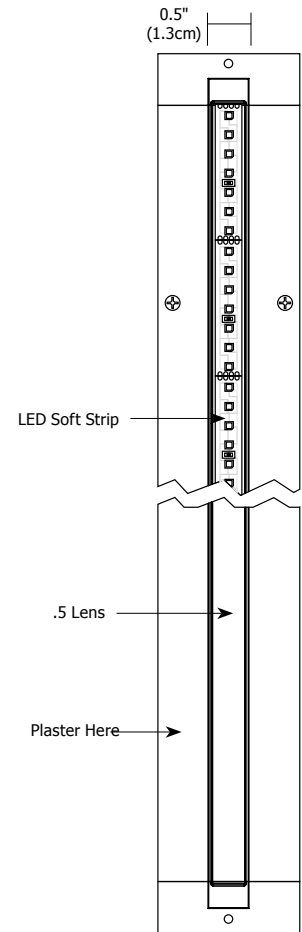
Lamp: White LEDs (2400K, 80+CRI; 2700K or 3000K, 85+CRI). LEDs consume 2.5 or 5 watts per ft, delivering 42 lumens per system watt; 116 lumens per ft (2WDC) or 232 lumens per ft (5WDC)

Average Lamp Life: 50,000 hours

Power Supply: Class 120-277VAC input
 PSB-96W-010-24VDC: 24VDC 96W output, 2.5WDC Max of 40ft run(s), 5WDC Max of 20ft run(s)
 PSB-2x96W-010-24VDC: 24VDC 2X96W output, 2.5WDC Max of 40ft run(s)/circuit, 5WDC Max of 20ft run(s)/circuit

Dimming: Lutron: Radio Ra2 (with GRX-TVI), Grafik Eye Qs (with GRX-TVI), Diva (with PP20); Nova T; Philips: Sunrise SR1200ZTUNV; Leviton: IP710-DL

Included Components: TruLine .5 channels, end caps, LED Soft Strip, TL.5 special Junction Boxes (quantity 2) and all mounting hardware. See page 2 of spec sheet for additional details.



TRULINE, 24VDC ORDERING CODE

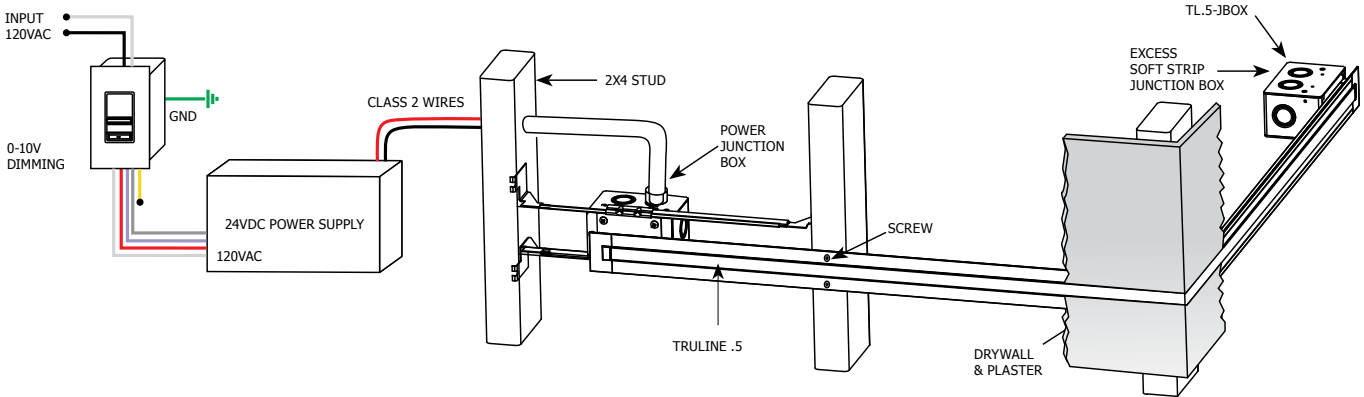
System	Wattage	Length in Feet	Color Temperature	Finish
TL.5 -	2WDC -	40FT -	27K -	WH
TL.5 - TruLine .5" Wide	2WDC - 2.5 Watts /Foot 5WDC - 5 Watts /Foot	1-40 Feet *5WDC Up to 20ft	24K - 2,400K Amber White 27K - 2,700K Very Warm White 30K - 3,000K Warm White	WH - White

COMPANY		FIXTURE TYPE		DATE	
PROJECT		APPROVED BY			

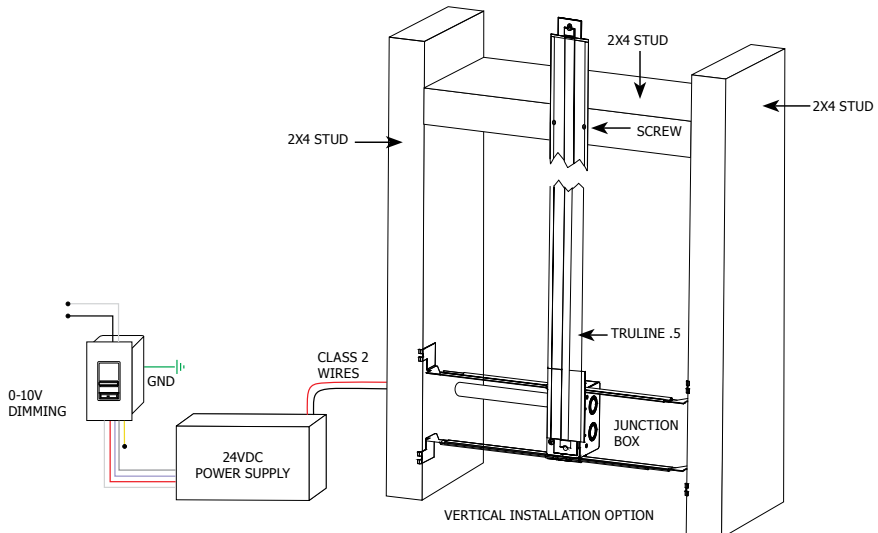
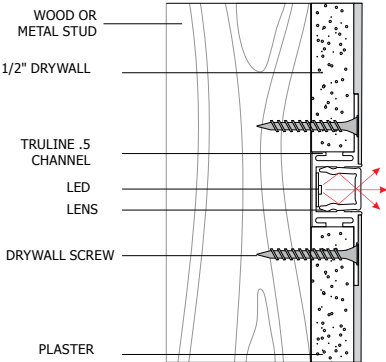
Product specification subject to change without notification. REV. 05.09.14



Patent Pending



TRULINE .5 SIDEVIEW



INCLUDED COMPONENTS



TRULINE .5 JUNCTION BOX

Two TruLine .5 Junction Boxes included: One for use as a power feed junction box and the other for housing excess Soft Strip at end of run.

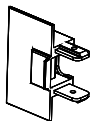
Slim profile junction box mounts behind drywall. Low voltage DC wires from remote power supply connect to LED wires. Junction box opening covered by TruLine channel for a clean, safe connection.

For rough-in installation, junction boxes can be ordered in advance. Ordering Code: TL.5-JBOX



LED SOFT STRIP

White LEDs (2400K, 80+CRI; 2700K or 3000K, 85+CRI). LEDs consume 2.5 or 5 watts per ft, delivering 42 lumens per system watt; 116 lumens per ft (2WDC) or 232 lumens per ft (5WDC)



END CAPS

For a finished look and to complete the installation, use end caps at the end of runs. End caps house the power cable from the LED Soft Strip. Power Feed Cable (Ordering Code: B90) must be ordered separately with less than 10ft of TruLine. Power Feed Cable is included with over 10ft TruLine .5.

COMPANY		FIXTURE TYPE		DATE	
PROJECT		APPROVED BY			

Product specification subject to change without notification. REV. 05.09.14

A Division of PureEdge Lighting 1718 W. Fullerton Chicago, IL 60614 • Ph: 773.770.1196 • Fax: 773.883.6128 • www.purelighting.com



Patent Pending

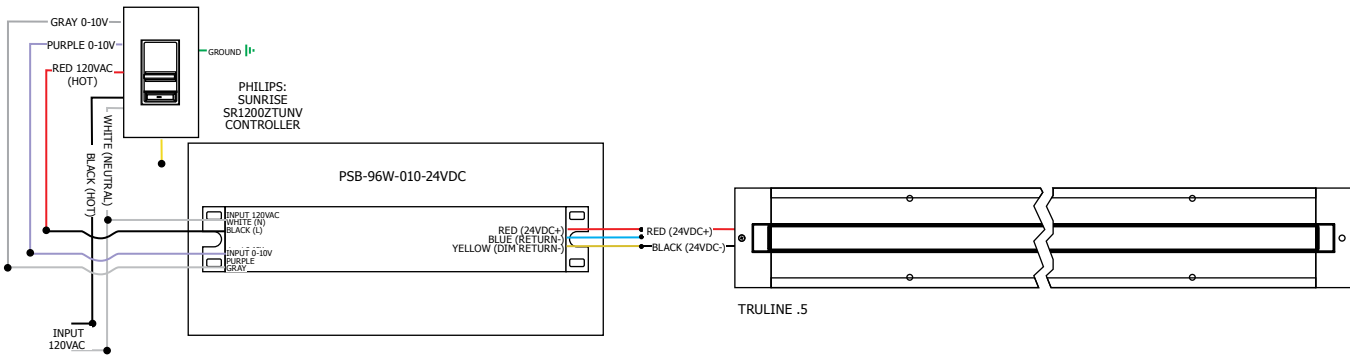
Application: 0-10V dimming for Truline .5

Power Supply: Class 2, 120-277VAC input. PSB-96W-010-24VDC: 24VDC 96W output
 PSB-2x96W-010-24VDC: 24VDC 192W output.

Dimming: Dimmable with 0-10V dimmer using power supply above. Radio Ra2 (with GRX-TVI), Grafik Eye Qs (with GRX-TVI), Diva (with PP20); Nova T; Philips: Sunrise SR1200ZTUNV; Leviton: IP710-DL

96W, 24VDC LOW VOLTAGE WIRE SIZE CHART: 3% VOLTAGE DROP

WIRE LENGTH (FT)	UP TO 33FT	34FT-52FT	53FT-86FT	87FT-130FT
WIRE SIZE	14 AWG	12 AWG	10 AWG	8 AWG
VOLTAGE AT END OF WIRE	23.28VDC	23.29VDC	23.28VDC	23.28VDC



ACTUAL WATTAGE PER FOOT - 2.5 WATTS

LENGTH IN FEET	TOTAL WATTAGE
1	3
2	5
3	8
4	10
5	13
6	15
7	17
8	20
9	22
10	24

LENGTH IN FEET	TOTAL WATTAGE
11	27
12	29
13	32
14	34
15	37
16	39
17	41
18	44
19	46
20	48

LENGTH IN FEET	TOTAL WATTAGE
21	51
22	54
23	56
24	58
25	61
26	63
27	66
28	68
29	70
30	72

LENGTH IN FEET	TOTAL WATTAGE
31	75
32	78
33	80
34	82
35	85
36	87
37	90
38	92
39	94
40	96

ACTUAL WATTAGE PER FOOT - 5 WATTS

LENGTH IN FEET	TOTAL WATTAGE
1	5
2	10
3	16
4	20
5	24

LENGTH IN FEET	TOTAL WATTAGE
6	30
7	34
8	40
9	44
10	48

LENGTH IN FEET	TOTAL WATTAGE
11	54
12	58
13	64
14	68
15	72

LENGTH IN FEET	TOTAL WATTAGE
16	78
17	82
18	88
19	92
20	96

COMPANY		FIXTURE TYPE		DATE	
PROJECT		APPROVED BY			

Product specification subject to change without notification. REV. 05.09.14