

Patent Pending



Description: Reveal projects an indirect glow onto ceilings and floors to deliver flush mount cove and toe-kick lighting. This 24VDC linear LED system features a shallow, plaster-in aluminum extrusion no thicker than drywall that houses a single row of white or RGB LED Soft Strip. System mounts directly to studs without joist modification and plasters into 1/2" or thicker drywall. Reveal is sold in 1 foot increments up to 40 feet (2WDC), 20 feet (5WDC), 12 feet (7WDC), or 10 feet (10WDC) and may be field-cut to any length. LED Soft Strip may be cut every 2.4 inches. Coordinate installation with electrician and drywall contractors. Fixture includes a 5 year warranty. Patent pending.

Design Note: 2.5 watt Reveal is ideal for toe-kick applications. For cove applications, use 5, 7.5, or 10 watt Reveal.

Applications: Indoor Only—Toe kicks and cove lighting for office, residential, retail, hospitality or institutional settings.

Lamp:

Watts per Foot	Lumens per Watt	Lumens per Foot	85+CRI 24k, 35K, 40K, 57K	95+CRI 27K, 30K	RGB
2WDC	55	179	●	●	
3WDC	55	N/A			●
5WDC	46	246	●	●	●
7WDC	52	453	●	●	
10WDC	50	580	●	●	

Lumen values are based on the 3000K LED test.

Average Lamp Life: 50,000 hours

24VDC Power Supply: White LED system, compatible Electronic Low Voltage

Dimming (ELV) 120-277VAC input: PSB-60W-ELV-24VDC (60W output) | PSB-100W-ELV-24VDC (100W output) | PSB-2X100W-ELV-24VDC (2X100W output).

White LED system, compatible 0-10 Volt Dimming (010) 120-277VAC input:

PSB-96W-010-24VDC (96W output) | PSB-2X96W-010-24VDC (192W output).

In Wall Mounting Kits: PSB-IW-KIT1 (96W or 100W) | PSB-IW-KIT2 (2X96W or 2X100W).

RGB LED System: Remote RGB Power supply with DMX Driver

120-277VAC input: PSB-100W-24VDC-RGB (100W output)

120/240VAC input: PSB-200W-24VDC-RGB (200W output) | PSB-400W-24VDC-RGB (400W output)

Dimming and Control: White LED system dimmable with 0–10V dimmer using power supplies above. Radio Ra2 (with GRX-TVI), Grafik Eye Qs (with GRX-TVI), Diva (with PP20); Nova T; Philips: Sunrise SR1200ZTUNV; Leviton: IP710-DL. RGB LED system - Touch Screen Controller with Power Supply (CTP), or Color Dial Controller with Power Supply (CDP).

Included Components: Reveal channels, end caps, LED Soft Strip, Reveal Junction Boxes and all mounting hardware. See page 2 of spec sheet for additional details.

REVEAL ORDERING CODES

REVEAL CHANNEL

System	Wattage	Length in Feet	Color Temperature
RV - 2WDC - 40FT - 27K			
RV Reveal	2WDC 2.5 Watts/Foot	1-40 Feet	24K 2400K Amber White
	5WDC 5 Watts/Foot	5WDC 1 to 20ft	27K 2700K Very Warm White
	7WDC 7.5 Watts/Foot	7WDC 1 to 12ft	30K 3000K Warm White
	10WDC 10 Watts/Foot	10WDC 1 to 10ft	35K 3500K Neutral White
			40K 4000K Cool White
			57K 5700K Daylight White

REVEAL CHANNEL RGB

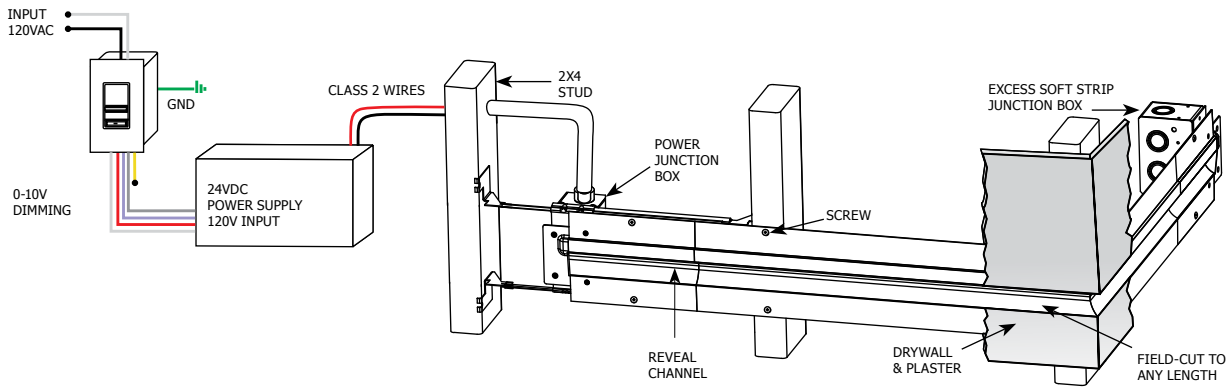
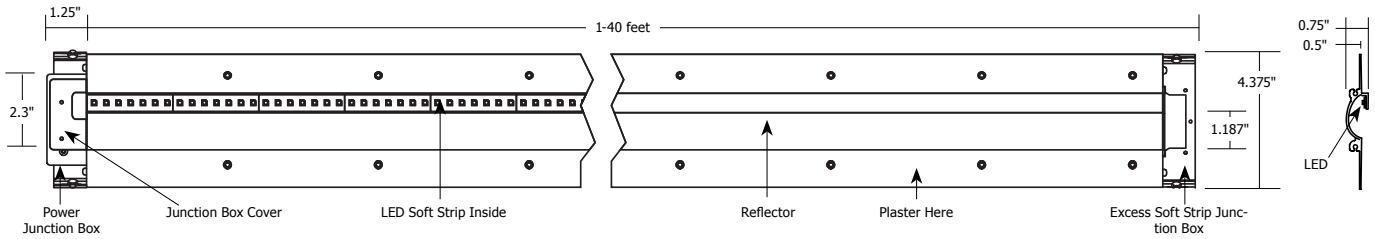
System	Wattage	Length in Feet	Color Temperature
RV - 3WDC - 36FT - RGB			
RV Reveal	3WDC 3 Watts/Foot	1-36 Feet	RGB Red, Green and Blue
	5WDC 5 Watts/Foot	5WDC 1 to 20ft	

COMPANY		FIXTURE TYPE		DATE	
PROJECT		APPROVED BY			

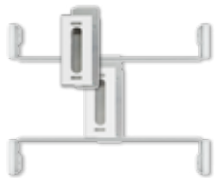
Product specification subject to change without notification. REV. 06.02.14



Patent Pending



INCLUDED COMPONENTS



REVEAL JUNCTION BOXES

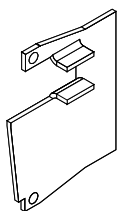
Power Junction Box: Slim profile junction box mounts behind drywall. Low voltage DC wires from remote power supply connect to LED wires. Junction box opening covered by Reveal Channel.

Excess Soft Strip Junction Box: Prevent dark spots at end of run by tucking excess LED Soft Strip safely behind wall.



LED SOFT STRIP

Commercial grade white or RGB LED Soft Strip. See Lamp data on page 1 of spec sheet for additional details.



END CAPS

For a finished look and to complete the installation, use end caps at the end of runs. End caps house the power cable from the LED Soft Strip.

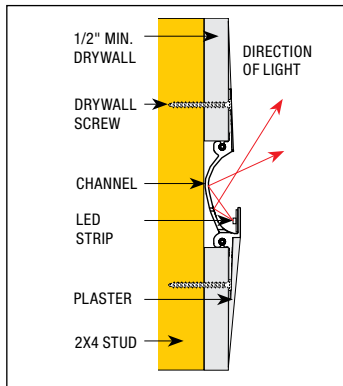
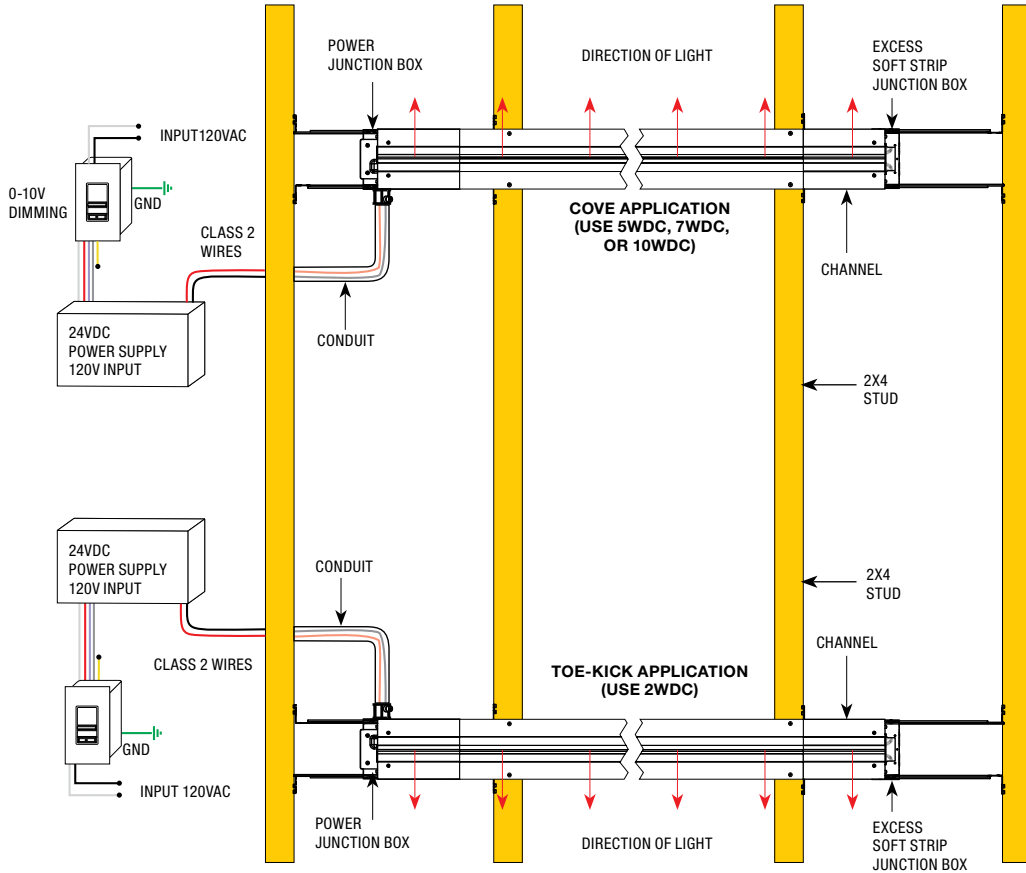
COMPANY		FIXTURE TYPE		DATE	
PROJECT		APPROVED BY			

Product specification subject to change without notification. REV. 06.02.14

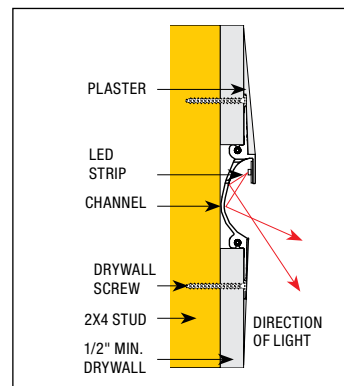
A Division of PureEdge Lighting 1718 W. Fullerton Chicago, IL 60614 • Ph: 773.770.1196 • Fax: 773.883.6128 • www.purelighting.com



REVEAL COVE AND TOE-KICK APPLICATIONS



COVE UP-LIGHT CONFIGURATION



TOE-KICK DOWNLIGHT CONFIGURATION

COMPANY		FIXTURE TYPE		DATE	
PROJECT		APPROVED BY			

Patent Pending

Application: 0-10V dimming for Reveal

Power Supply: **White LED system, compatible Electronic Low Voltage Dimming (ELV) 120-277VAC input:** PSB-60W-ELV-24VDC (60W output) | PSB-100W-ELV-24VDC (100W output) | PSB-2X100W-ELV-24VDC (2X100W output).

White LED system, compatible 0-10 Volt Dimming (010) 120-277VAC input: PSB-96W-010-24VDC (96W output) | PSB-2X96W-010-24VDC (192W output).

In Wall Mounting Kits: PSB-IW-KIT1 (96W or 100W) | PSB-IW-KIT2 (2X96W or 2X100W).

RGB LED System: Remote RGB Power supply with DMX Driver

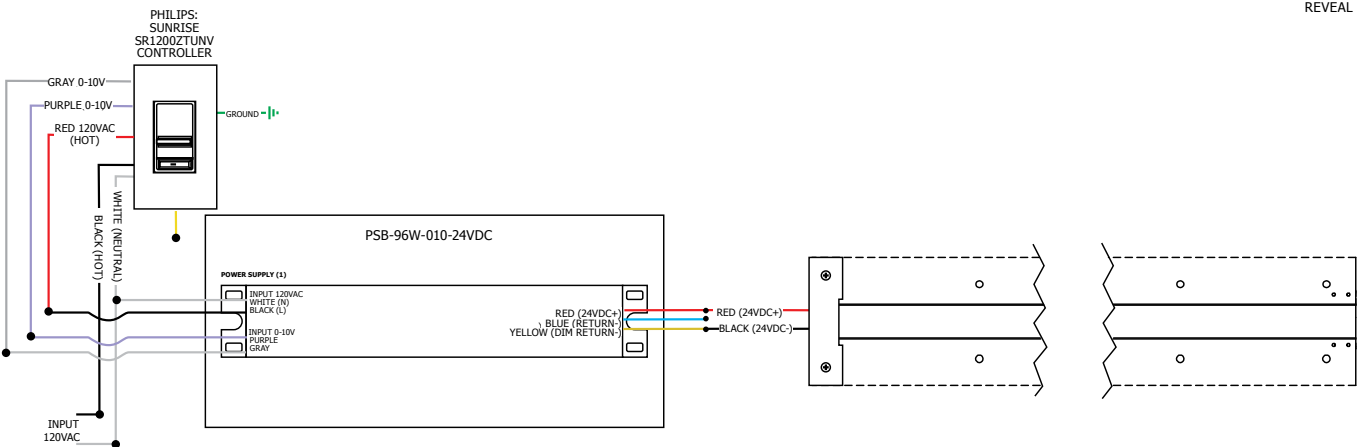
120-277VAC input: PSB-100W-24VDC-RGB (100W output)

120/240VAC input PSB-200W-24VDC-RGB (200W output) PSB-400W-24VDC-RGB (400W output)

Dimming: White LED system dimmable with 0–10V dimmer using power supplies above. Radio Ra2 (with GRX-TVI), Grafik Eye Qs (with GRX-TVI), Diva (with PP20); Nova T; Philips: Sunrise SR1200ZTUNV; Leviton: IP710-DL. RGB LED system - Touch Screen Controller with Power Supply (CTP), or Color Dial Controller with Power Supply (CDP).

96W, 24VDC LOW VOLTAGE WIRE SIZE CHART: 3% VOLTAGE DROP

WIRE LENGTH (FT)	UP TO 33FT	34FT-52FT	53FT-86FT	87FT-130FT
WIRE SIZE	14 AWG	12 AWG	10 AWG	8 AWG
VOLTAGE AT END OF WIRE	23.28VDC	23.29VDC	23.28VDC	23.28VDC



REVEAL

A Division of PureEdge Lighting 1718 W. Fullerton Chicago, IL 60614 • Ph: 773.770.1196 • Fax: 773.883.6128 • www.purelighting.com



COMPANY		FIXTURE TYPE		DATE	
PROJECT		APPROVED BY			