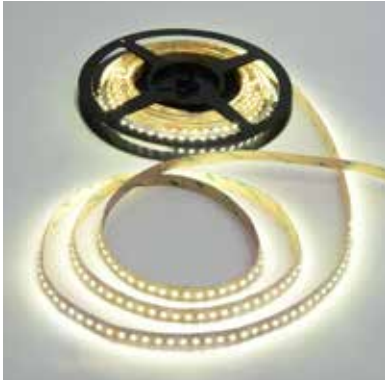


SS2C SOFT STRIP 2.5W 24VDC HIGH OUTPUT, COMMERCIAL GRADE (85+ OR 95+CRI)



SS2C-24V_-WW

**Maximum Length
Before Reforeeding: 40 Ft***

LENGTH IN FEET	TOTAL WATTAGE	LENGTH IN FEET	TOTAL WATTAGE
1	3	21	51
2	5	22	54
3	8	23	56
4	10	24	58
5	13	25	61
6	15	26	63
7	17	27	66
8	20	28	68
9	22	29	70
10	25	30	73
11	27	31	75
12	29	32	78
13	32	33	80
14	34	34	82
15	37	35	85
16	39	36	87
17	41	37	90
18	44	38	92
19	46	39	94
20	48	40	96

24 Ft maximum when used with TEB-60L-24DC
*40 Ft maximum when used with PSB-96W-010-24VDC



SS2C-24V-2IN-WW
2.4 Inch Soft Strip

System	Voltage	Length	Color Temperature
SS2C	24V	2IN	WW
SS2C Soft Strip Commercial 2.5W per Ft	24V 24 Volt	2IN 2.4 Inch	AW 2400K Amber White VW 2700K Very Warm White WW 3000K Warm White NW 3500K Neutral White CW 4000K Cool White DW 5700K Daylight White

Description:

Commercial-grade 24 volt Soft Strip provides high levels of light with high CRI LEDs, offering superior color rendering and enhanced color in the space. LEDs are distributed close together throughout the strip for uniform illumination without hotspots. The 1/2" wide flexible copper strip, with an optically clear protective coating, is sold in 1 ft increments up to 40 feet. Includes easy plug-in connectors on each end and 6 ft power feed cable. For custom lengths, smaller segments are available in 2.4 inch increments (sold separately). Use plug-in flexible connectors for making turns and custom configurations. At only 2.5 watts per foot, this 24 volt system dims with a 0-10V controller when using a PSB power supply. Self-adhering SS2C mounts to most smooth finished surfaces with industrial strength 3M tape (provided on back of strip); some unfinished surfaces may require screw-in mounting clips (sold separately). Designed for indoor, open-air environments, SS2C includes a flexible aluminum heat sink to extend LED life. Fixtures include a 5 year warranty.

Applications:

Indoor Only - Cove, retail, hotel and display. ETL listed to conform to UL 2108 for closet and under-cabinet applications.

Lamp:

Watts per Foot	Lumens per Watt	Lumens per Foot	85+CRI 24K, 35K, 40K, 57K	95+CRI 27K, 30K	50,000 Hour Lamp Life
2.5W	84	289	●	●	●

Lumen values are based on the 3000K LED test.

Power Supply (24VDC):

TEB-60L-24DC 120VAC input, 24VDC 60 watt output (24 ft max)
PSB-96W-010-24VDC 120-277VAC input, 96 watt output (40 ft max)
PSB-2X96W-010-24VDC 120-277VAC input, 192 watt output (40 ft max)

Dimming:

Dimmable with low voltage electronic dimmer using TEB-60L-24DC
 Lutron: Diva DVELV-300P, Skylark SELV-300P, Maestro MAELV-600,
 PSB power supplies use 0-10V dimmer: Philips Sunrise SR1200ZTUNV

Mounting Straps & Clips:

SS-SU

Use U-Strap every 6 to 12 inches for extra support (30 per package).

SS-ST

Use Tie Strap every 6 to 12 inches for extra support (30 per package).

SS-MCL

Mounts beneath strip, snapping strip in place for additional support (10 per package).

System	Voltage	Length in Feet	Color Temperature
SS2C	24V	40	WW
SS2C Soft Strip Commercial 2.5W per Ft	24V 24 Volt	Sold in 1ft increments up to 40 ft (Example 40=40')	AW 2400K Amber White VW 2700K Very Warm White WW 3000K Warm White NW 3500K Neutral White CW 4000K Cool White DW 5700K Daylight White

PROJECT:

FIXTURE
TYPE:

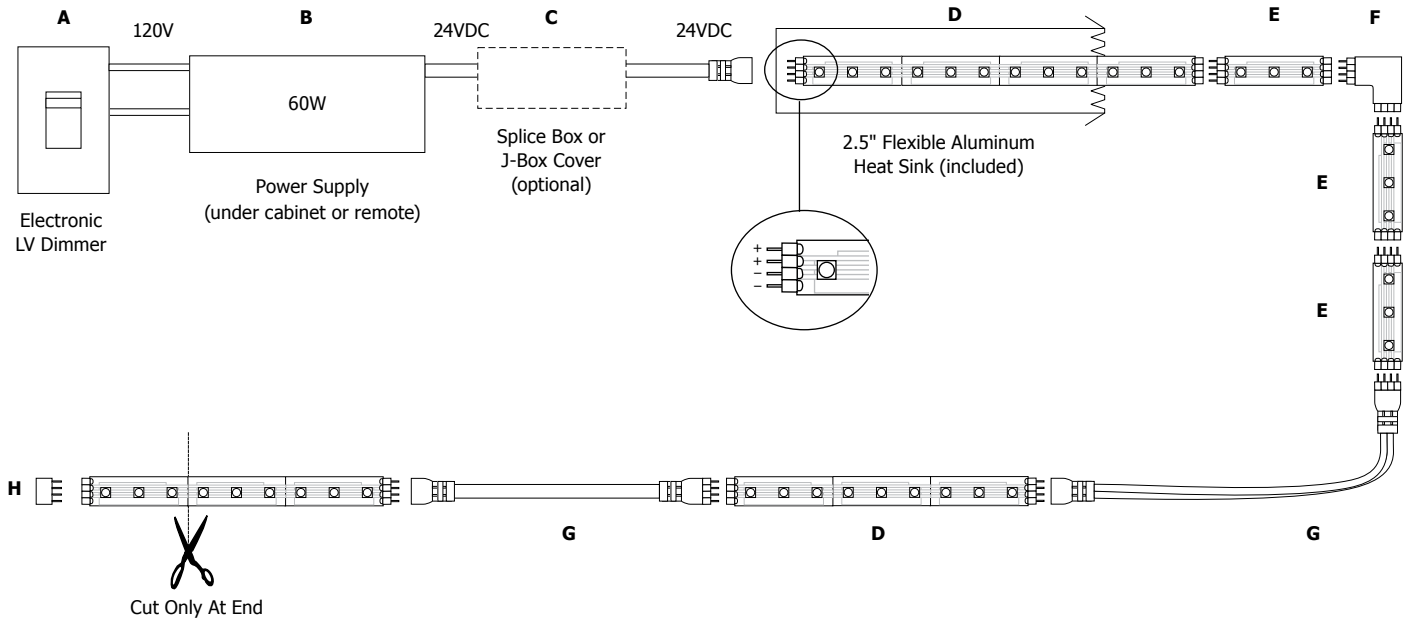
DATE:



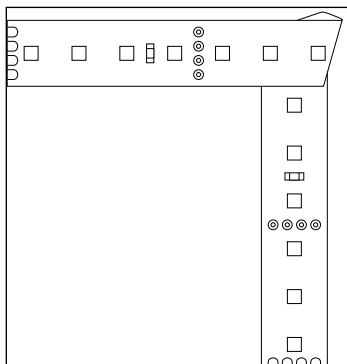
Application: Electronic low-voltage dimming for SS2C Soft Strip

Power Supply: 120VAC input, 24VDC 60 watt output TEB-60L-24DC

Dimming: Dimmable with low voltage electronic dimmer using power supply above. See power supply spec sheet for additional details. Lutron: Diva DVELV-300P; Skylark SELV-300P; Maestro MAELV-600 dimmers are recommended.



STRIP DOES NOT BEND 90°



- A. Lutron Dimmers Diva **DVELV-300P** or Skylark **SELV-300P**
- B. 60W 24VDC Power Supply **TEB-60L-24DC**
- C. Splice Box or Junction Box Cover (optional)
- D. Soft Strip Commercial **SS2C-24V-_-_-** sold by the foot; up to 40 ft
- E. Soft Strip Commercial **SS2C-24V-2IN-_-** 2.4 inch segment
- F. L-Connector **SS-CL** L-shaped plug-in connector
- G. Flexible Connector **SS-CFX-_-** 3, 6, 12, 36, 96 or 144"
- H. End Cap Connector **SS-CEC**

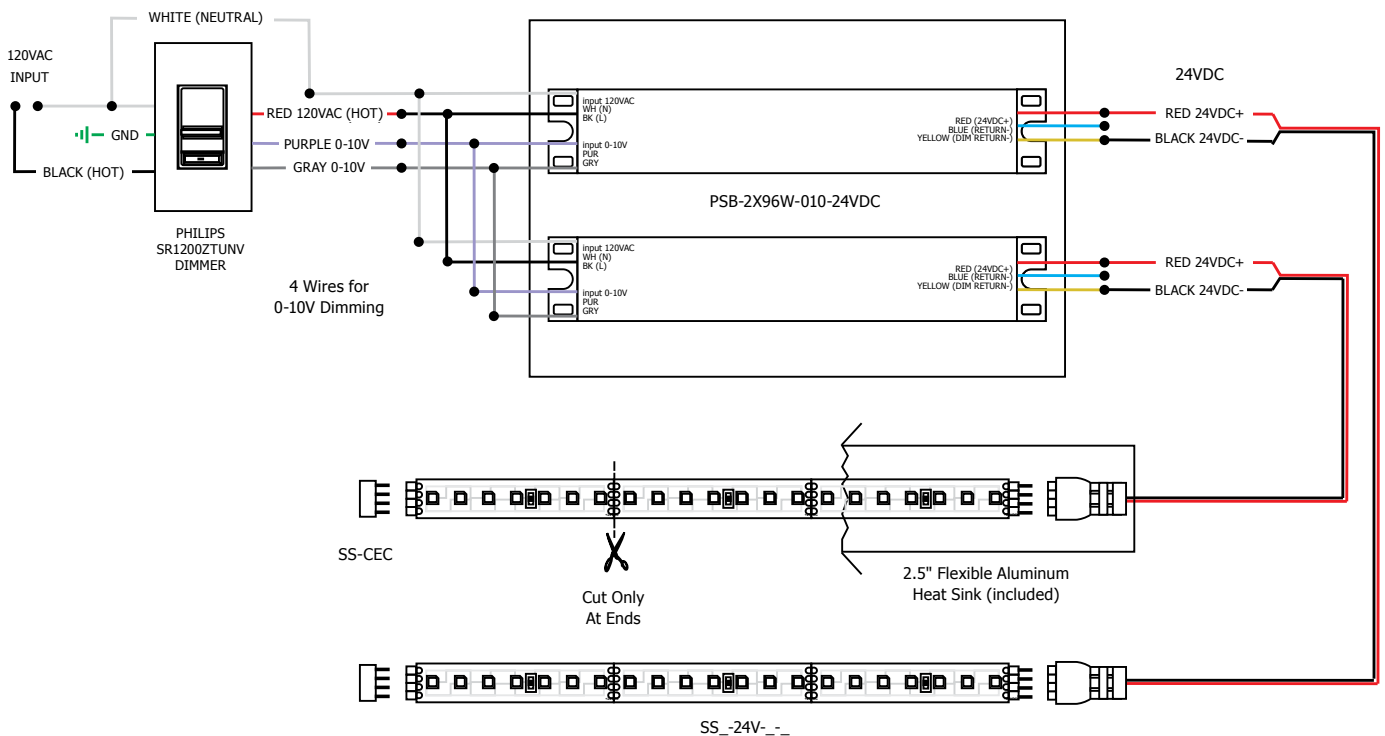
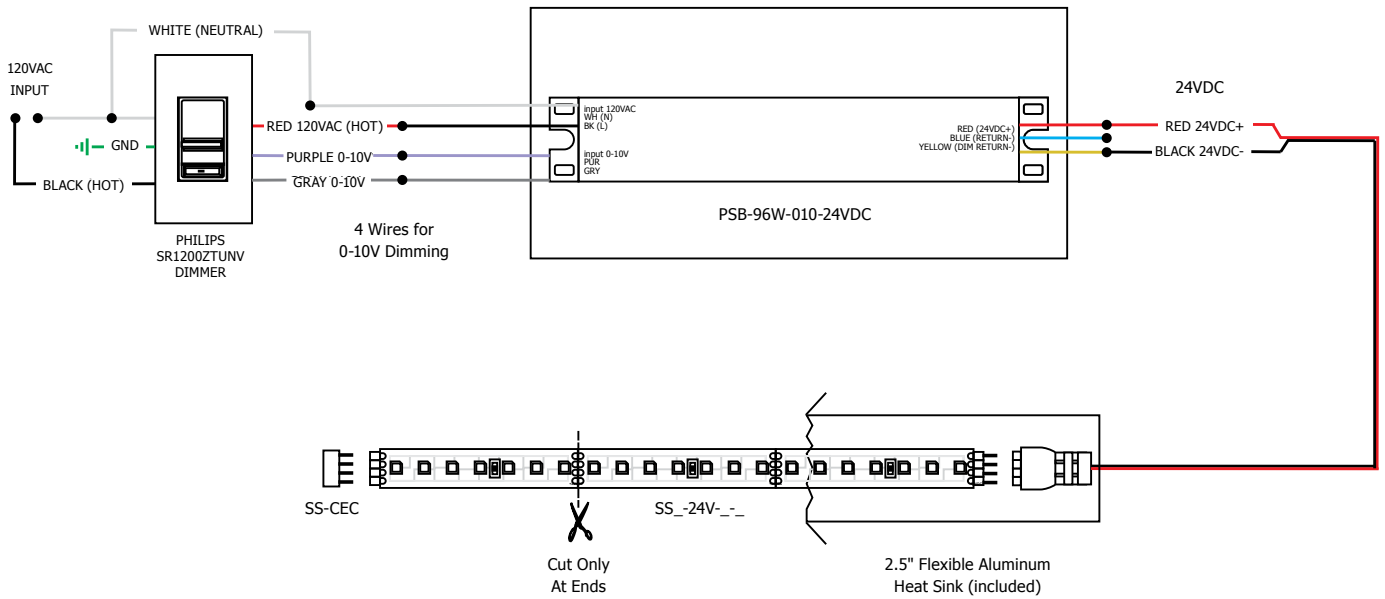
PROJECT: _____ FIXTURE TYPE: _____ DATE: _____



Application: 0-10V dimming for SS2C Soft Strip

Power Supply: Class 2, 24VDC output: 120-277VAC input, 96 watt output PSB-96W-010-24VDC;
120-277VAC input, 192 watt output PSB-2X96W-010-24VDC

Dimming: Dimmable with 0-10V dimmer using power supply above. See power supply spec sheet for additional details. Philips Sunrise SR1200ZTUNV, 0-10V dimmer recommended.



PROJECT: _____ FIXTURE TYPE: _____ DATE: _____