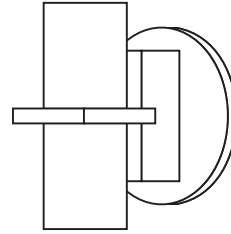


## Installation Instructions for **Alpine**



### IMPORTANT SAFETY INSTRUCTIONS

To reduce the risk of fire, electrical shock, exposure to excessive UV radiation, or injury to persons:

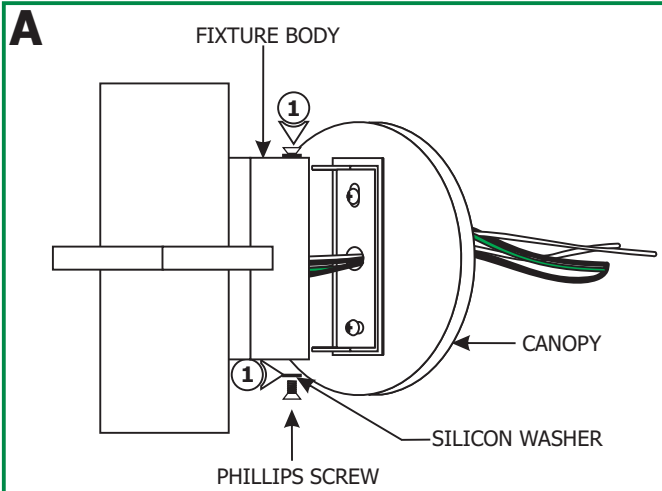
- Do not look directly at the lamp while the fixture is on.
- **RISK OF FIRE:** Use only the type of lamp and maximum wattage indicated in this instruction manual.
- Never cover the halogen lamp with anything other than a lamp shield provided by Edge Lighting and never place flammable material close to the fixture.
- Never turn the fixture on and off by connecting and disconnecting the halogen lamp.
- Do not touch the fixture head, shade or lamp shield while the fixture is on. These surfaces may be **VERY HOT**.
- Do not touch lamp at anytime. Use a soft cloth instead as oil from skin may damage lamp.
- It is normal for a new halogen lamp to produce minor smoke when first turned on.
- Turn power off and allow to cool before replacing lamp.

### IMPORTANT INFORMATION

- This product is ETL listed for indoor and outdoor locations.
- **RISK OF FIRE:** This product must be installed 4 ft above the ground for wet locations.
- This product is for wall mount applications only.
- This product can mount to either a 4" square electrical box with round plaster ring or an octagon electrical box.
- This product can be dimmed with a standard incandescent dimmer.
- This instruction shows a typical installation for indoor and outdoor.

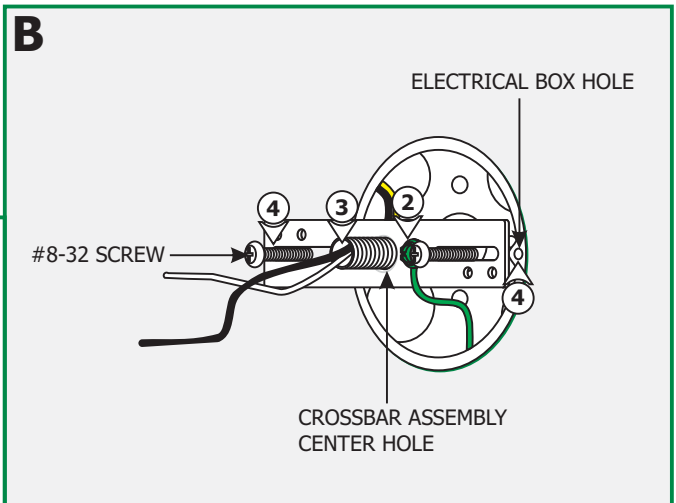
**SAVE THESE INSTRUCTIONS!**

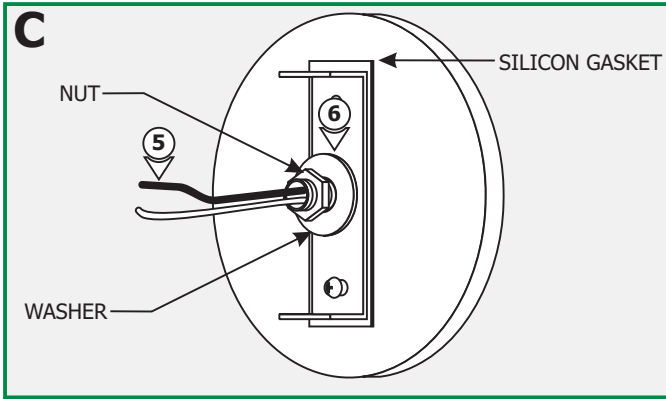
## Install the Fixture



- 1:** Remove the two Phillips screws and the silicon washers on the fixture body and carefully pull the canopy off of the fixture body.

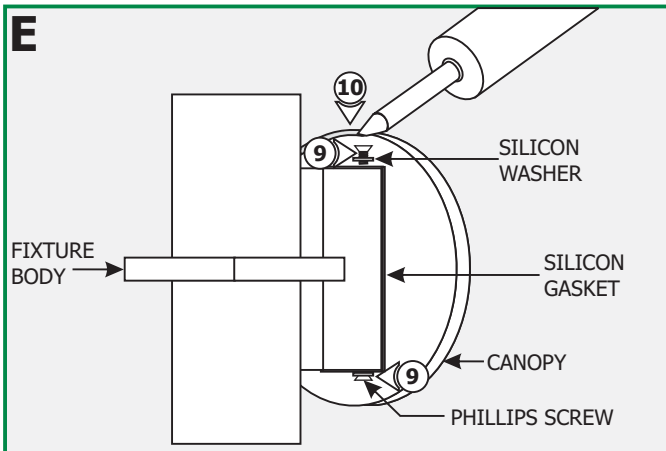
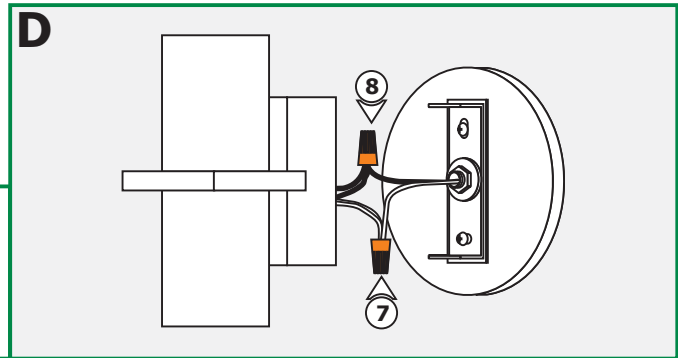
- 2:** Make sure the crossbar assembly is grounded in accordance with local electrical codes.
- 3:** Feed the power wires through the crossbar assembly center hole.
- 4:** Mount the crossbar assembly to the electrical box holes with the provided #8-32 screws.





- 5:** Feed the power wires through the canopy center hole, washer, and nut provided.
- 6:** Slide the canopy back onto the crossbar assembly nipple (make sure the gasket is in place) and secure the canopy to the crossbar assembly by tightening the nut.

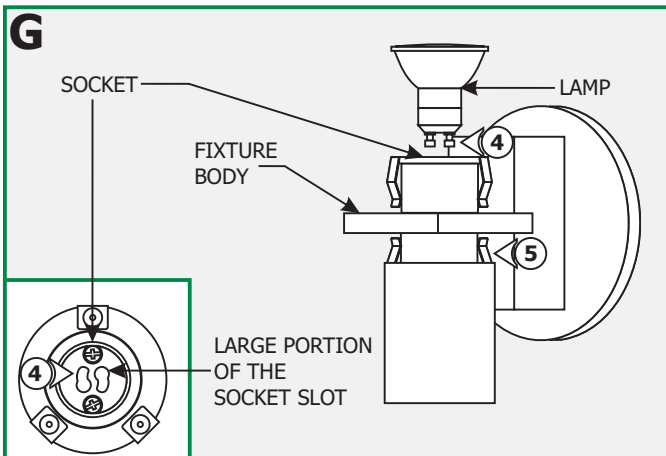
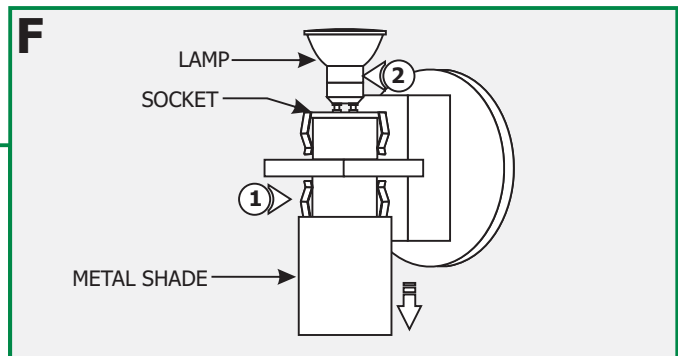
- 7:** Connect the two white fixture wires to the neutral power wire with a wire nut.
- 8:** Connect the two black fixture wires to the hot power wire with a wire nut.



- 9:** Place all wires and wire nut connections inside the fixture body. Slide the fixture body completely onto the canopy and make sure the silicon gasket is in place. Replace and tighten the two silicon washers and Phillips screws.
- 10:** For installation in **wet location**, caulk around the fixture canopy with waterproof construction sealant.

## Replace the Lamps

- 1:** Remove the metal shade by pulling it off of the socket springs.
- 2:** Remove the old lamp by rotating it counter clockwise and unlocking it from the socket.
- 3:** Repeat steps 1 & 2 for other lamp.



**CAUTION:** To reduce risk of a burn or electrical shock during lamping, disconnect the power to the fixture.

Use **MAX 20** Watt Type GU10 Base PAR16 Line Voltage Lamp With Each Socket.



- 4:** Push the lamp into the large portion of the socket slots and rotate it clockwise to lock it in place.
- 5:** Slide metal shade onto the socket spring clips to secure it in place.
- 6:** Repeat 4 & 5 for the other socket.