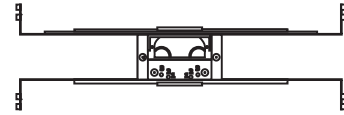


Installation Instructions for Slim Profile Junction Box

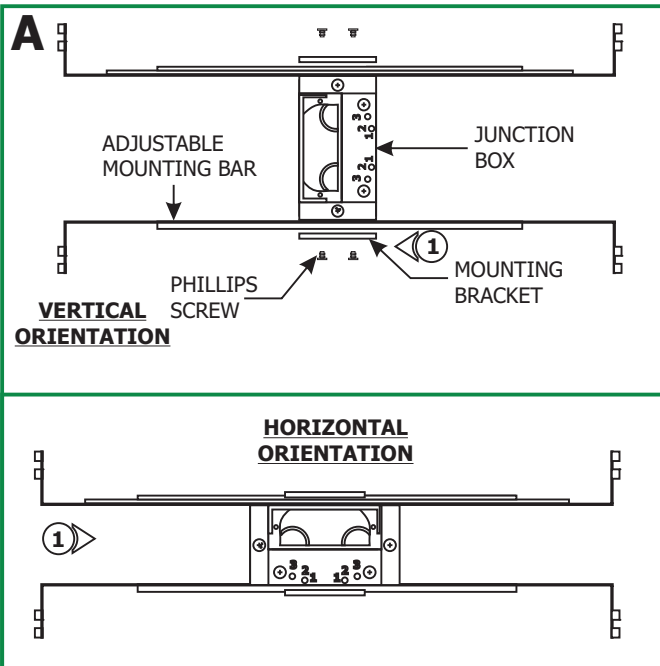
IMPORTANT INFORMATION

- This instruction shows a typical installation.

SAVE THESE INSTRUCTIONS!



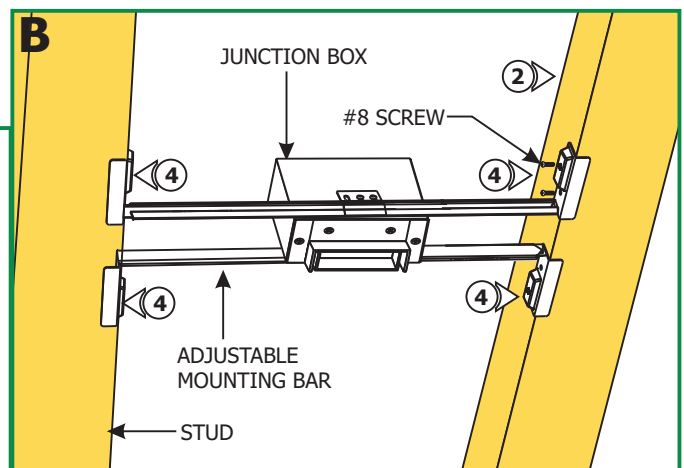
Install the Electrical Box

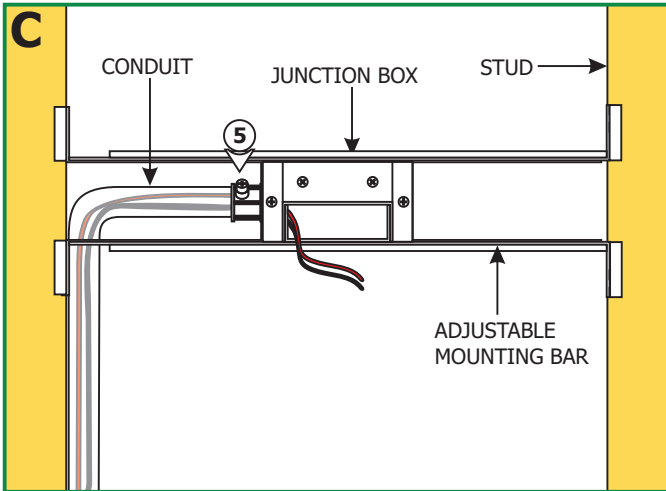


1: Mount each adjustable mounting bar to one side of the junction box (mounts to any side of the housing depending on the orientation of the channel) and secure them with the mounting brackets and two Phillips screws provided.

NOTE: The adjustable mounting bars mount to studs that are spaced 16" to 24" apart.

- 2:** Select the location between the two studs for the Junction box to be mounted.
- 3:** Place the adjustable mounting bars between the studs.
- 4:** Make sure the lips on the adjustable mounting bars are against the studs. Secure the adjustable bars to the studs with the eight #8 screws.





5: Remove a knockout to install the power line conduit.

6: Install the conduit and run the low voltage power wires coming from the remote power supply to the Junction box.

NOTE: If using a remote power supply, it must be installed within 40ft of Junction box. The low voltage wires must be present in Junction box.

NOTE: If necessary junction box opening can be adjusted, in three positions from position 1 at 0.85", 2 at 0.95" or 3 at 1.05". Simply loosen screws and tighten to the corresponding position labeled on junction box.

7: Mark a rectangle shape on drywall where the junction box opening will be located depending on selected position.

8: Cut out the marked rectangle opening, using a "Dremel Multi-Max" with the "wood & drywall" cutting bit.

9: Install & finish drywall.

10: Refer to the instruction provided with the product to complete the installation.

