

Installation Instructions for Cirrus Float End Feed

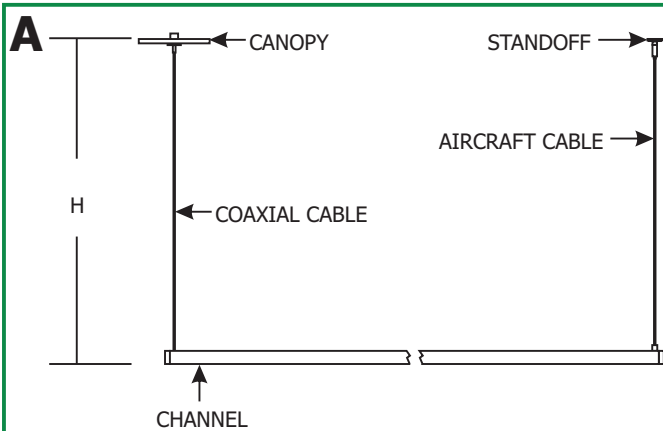
IMPORTANT INFORMATION

- This product is suitable for indoor locations.
- This instruction shows a typical instruction.

SAVE THESE INSTRUCTIONS!

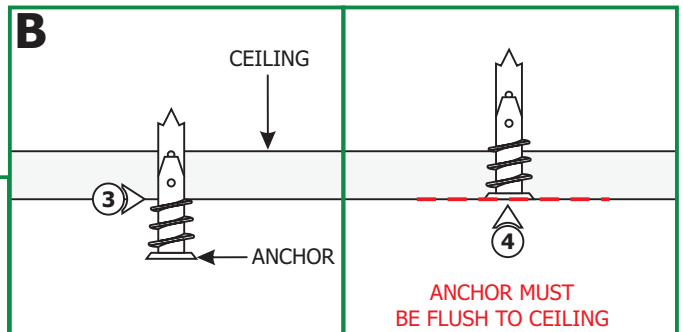
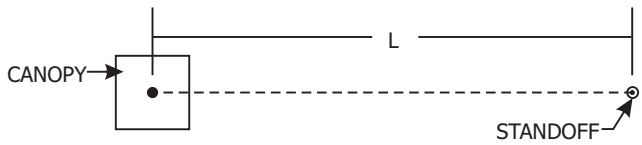


Install the Fixture

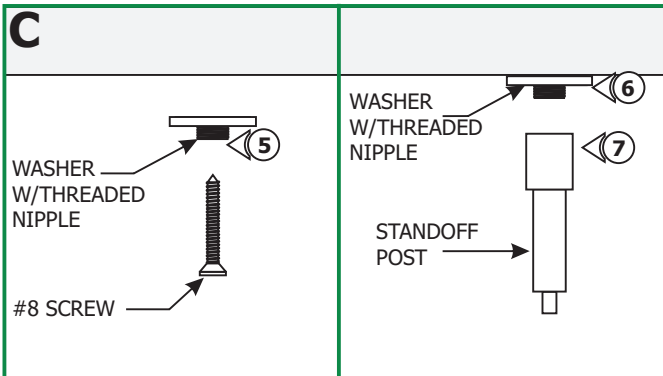


- 1: Measure the distance between the coaxial cable and the aircraft cable mounted on the channel. This measurement varies on the fixture length.
- 2: Mark the standoff location from the center of the electrical box for the distance achieved on step 1.

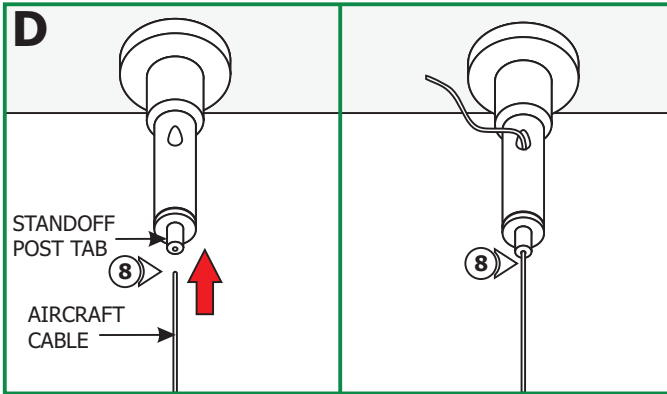
TOP VIEW



- 3: Tap the anchors onto the marked points up to the threaded portion with a hammer.
- 4: Screw in the threaded portion of the anchors with a Phillips screwdriver.

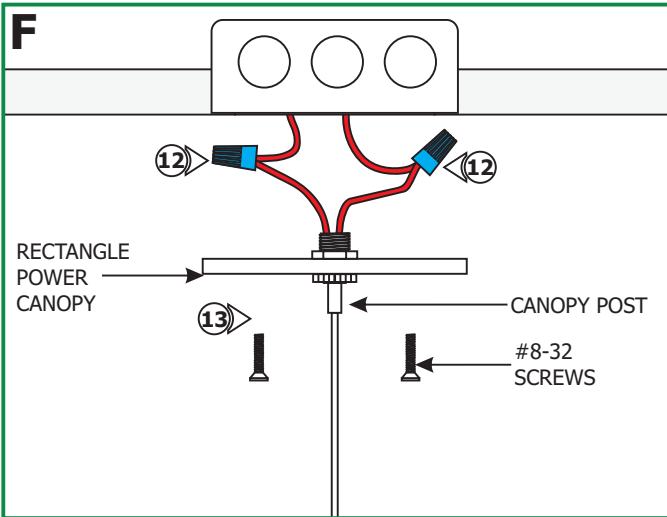
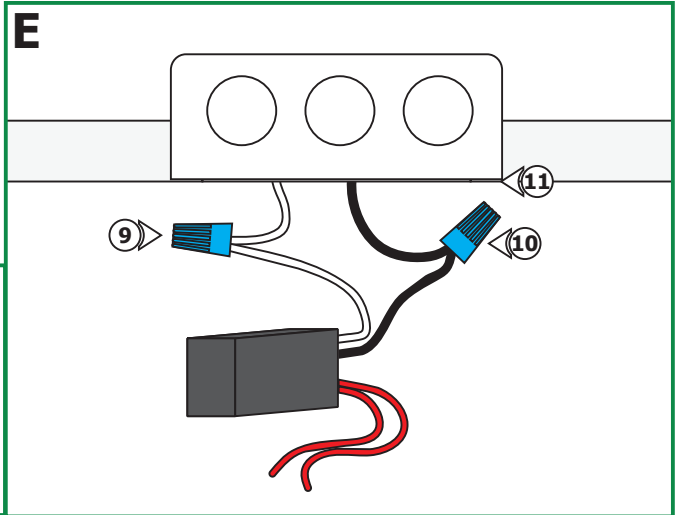


- 5: Feed the #8 screw through the washer w/threaded nipple into the anchor.
- 6: Tighten the #8-32 screw completely into the anchor.
- 7: Tighten the standoff posts completely onto the threaded nipple.



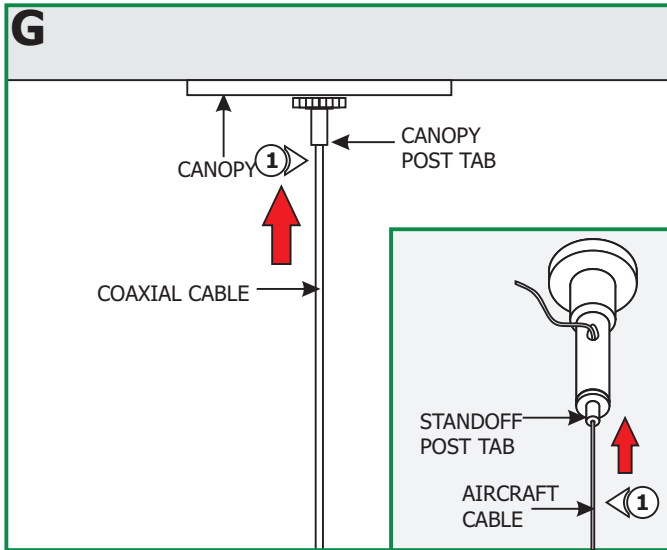
8: Push the tab on standoff and feed the aircraft cable from the channel into a standoff, to hold the one end of the fixture in place.

- 9:** Connect the white transformer wire to the neutral power wire with a wire nut.
- 10:** Connect the black transformer wire to the hot power wire with a wire nut.
- 11:** Place the transformer and transformer wires inside the junction box.



- 12:** Connect each canopy wire to one low voltage transformer wire with a wire nut.
- 13:** Line up the canopy with the electrical box, and secure it in place by tightening the two #8-32 screws provided.

Height Adjustments



- 1:** Adjust the fixture height by pushing the aircraft cable & coaxial cable in to the standoff posts & canopy post.
- 2:** If necessary push the tab on the standoffs & canopy post to release the wire.

GENERAL WIRING DIAGRAM

