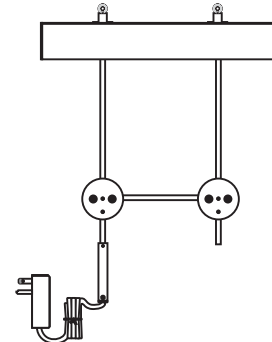


## Installation Instructions for Cody 12" Plug-In Picture Light

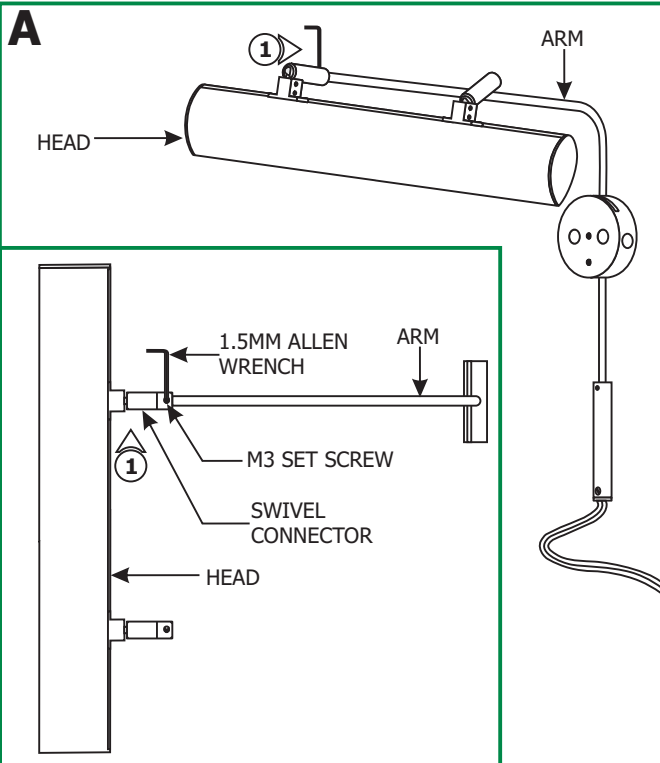
### IMPORTANT INFORMATION

- This product is ETL listed for indoor location.
- This product is wall mounted only.
- This instruction shows a typical installation.

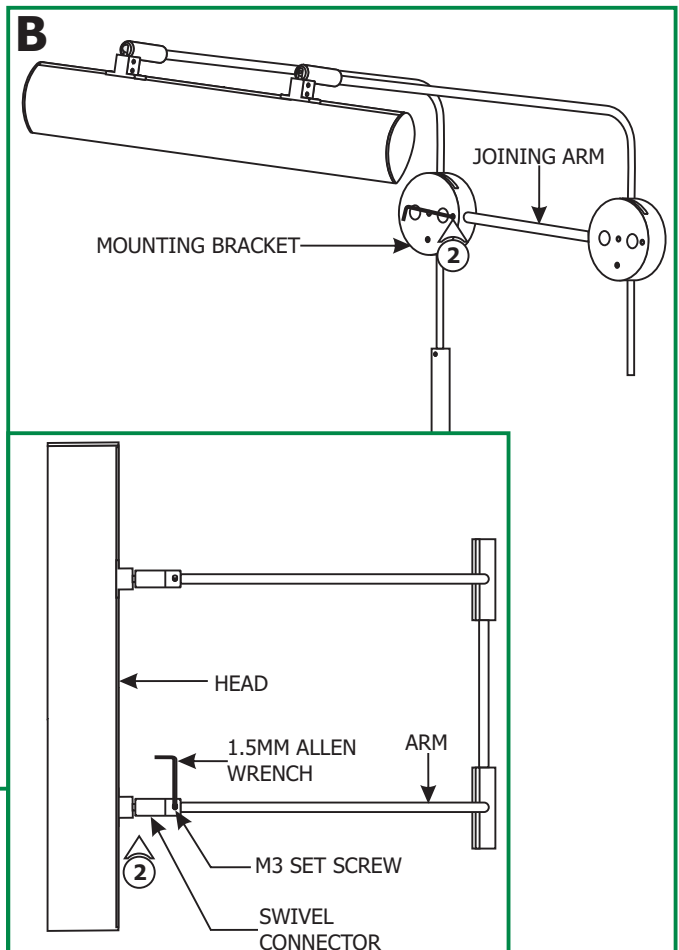
**SAVE THESE INSTRUCTIONS!**



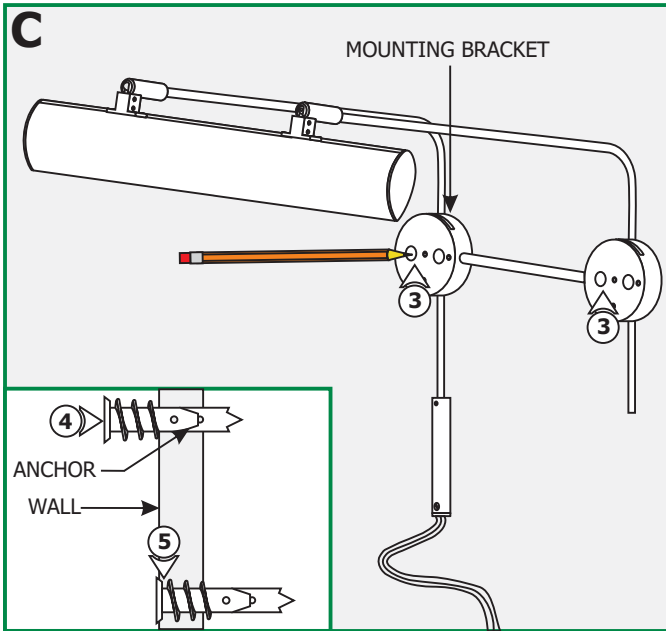
### Install the Fixture



- 1:** Rotate the Cody's head perpendicular to the arm making sure the arm is completely inserted into the head swivel connector. Tighten the M3 set screw on the swivel connector with the provided 1.5mm Allen wrench to secure the head in place.



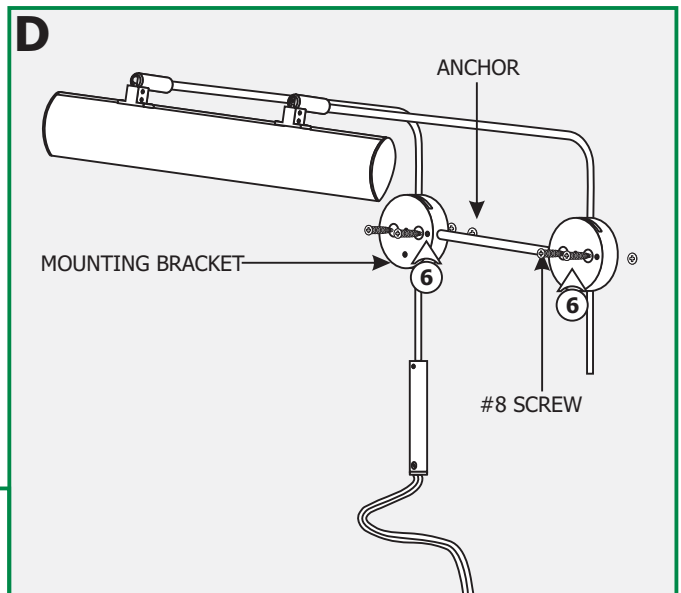
- 2:** Insert the loose arm assembly (provided in the box) into the other swivel connector and insert the joining arm into the mounting bracket of the first arm. Tighten the M3 set screw on the swivel connector and mounting bracket with the 1.5mm Allen wrench.



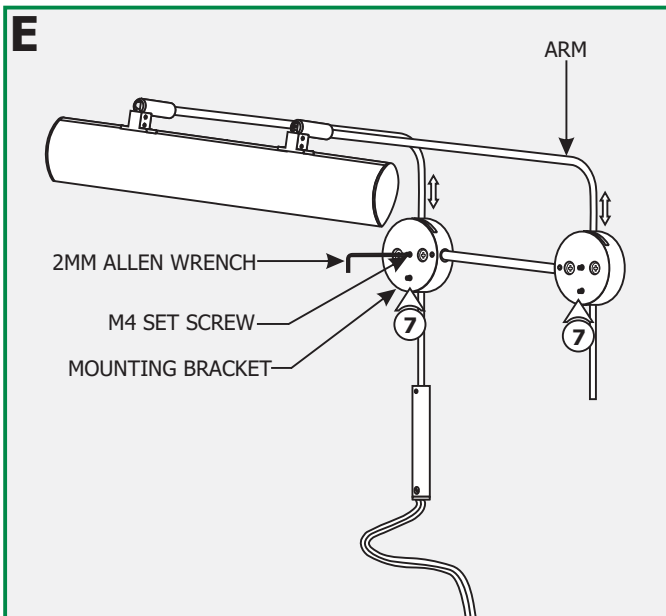
**NOTE:** The Cody 12" plug-in comes with 9' of cord and plug-in power supply. Make sure there is a power outlet near to where Cody 12" will be mounted

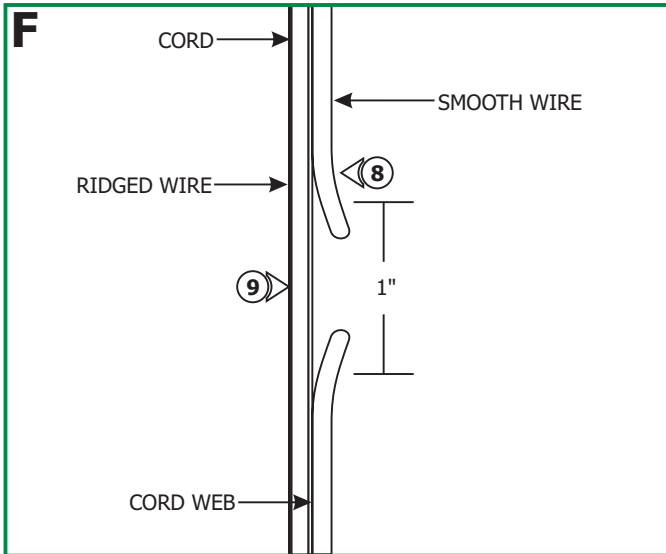
- 3:** Hold the mounting bracket against the wall where Cody 12" will be mounted. Level the mounting bracket and mark the bracket holes on the wall.
- 4:** Tap the anchors onto the marked points into the wall up to the threaded portion with a hammer.
- 5:** Screw the threaded portion of the anchors in with the a Phillips screwdriver.

**6:** Line up the mounting bracket holes with the anchors and secure the fixture to the anchors with the four #8 screws provided.



- 7:** To adjust the height, loosen the four M4 set screw on the mounting brackets with the provided 2mm Allen wrench. Adjust the Cody to the desired height by sliding it up or down. Tighten the four M4 set screws with the 2mm Allen wrench.





**8:** Select the location on the cord where the switch will be installed.

**9:** With a sharp knife cut about 1" in the cord web. Make sure not to nick the insulation on either wire.

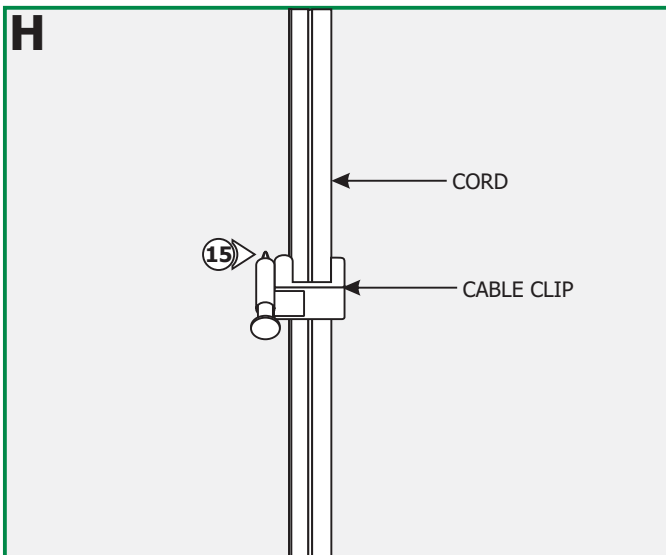
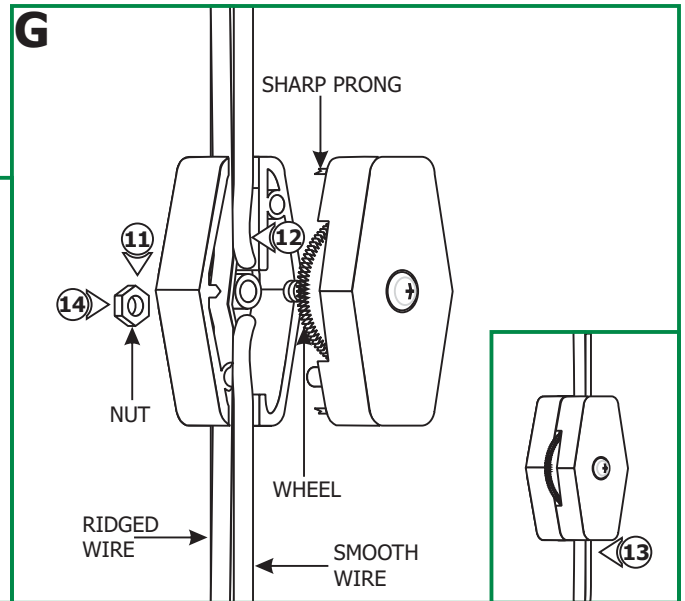
**10:** Cut the smooth wire in half.

**11:** Loosen the screw on one side of the switch to remove the nut from the other side. Separate the two halves from each other.

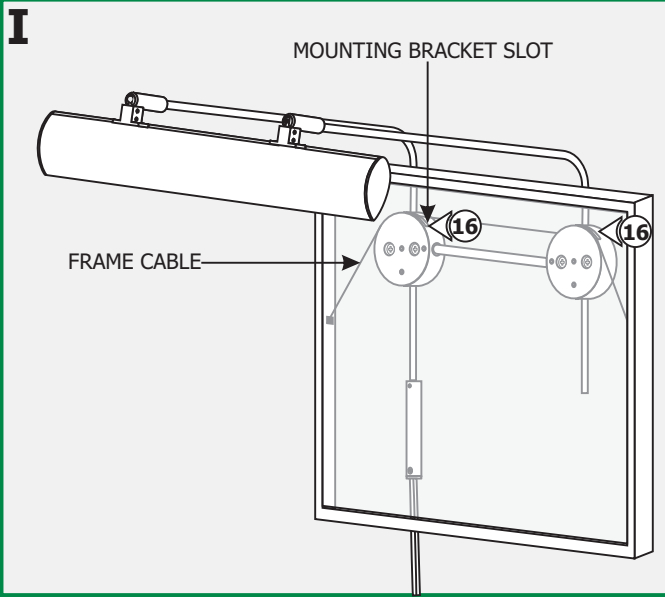
**12:** Place the half of the switch without the wheel onto the cut portion of the cord. The uncut ridged wire should pass through the half where the cut wire will be blocked in the middle. This will ensure the switch connectivity.

**13:** Replace the half with wheel onto the other half so that the sharp prongs pierce the insulation of the cut wire.

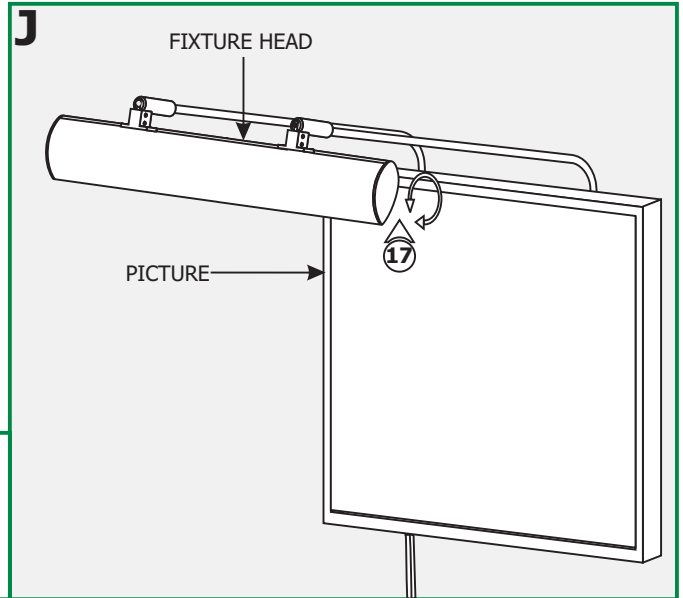
**14:** Replace the nut and tighten the screw ensuring that both halves are mated properly.



**15:** Use the provided cable clips to secure the cord to the wall, or use a cable cover (not provided)

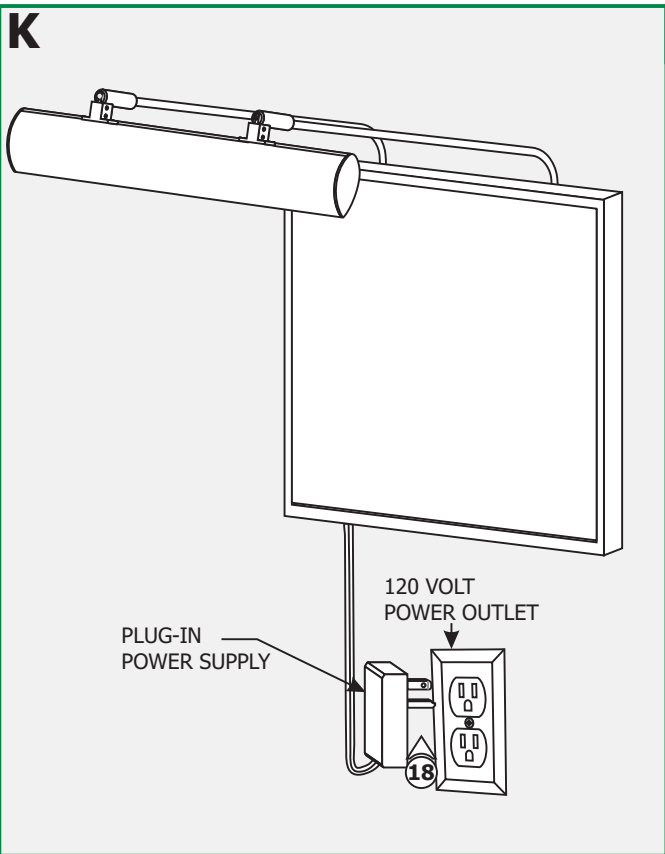


**16:** Hang the frame cable into the two mounting bracket slots.



**17:** Rotate the fixture head to properly wash the picture with light.

**NOTE:** The Cody 12" contains **12** watt integrated LED lamps. These lamps are rated for 50,000 hours.



**18:** Plug the power supply into the 120 volt power outlet.