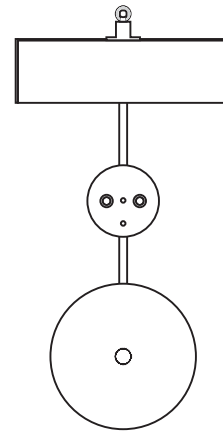


## Installation Instructions for **Cody 6" Canopy Mount Picture Light**

### IMPORTANT INFORMATION

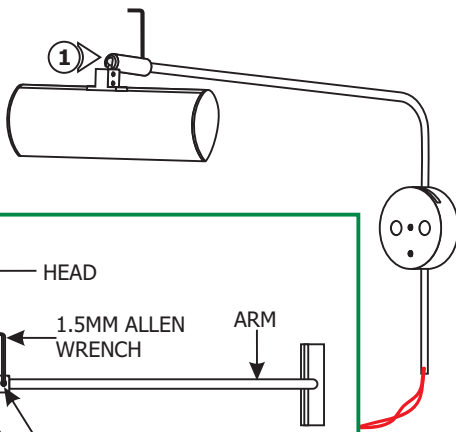
- This product is ETL listed for indoor location
- This product is wall mounted only.
- This product can mount to either a 4" square electrical box with round plaster ring or an octagon electrical box.
- This instruction shows a typical installation.

**SAVE THESE INSTRUCTIONS!**

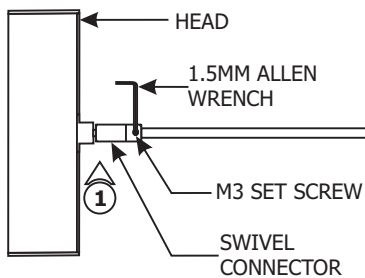


### Install the Fixture

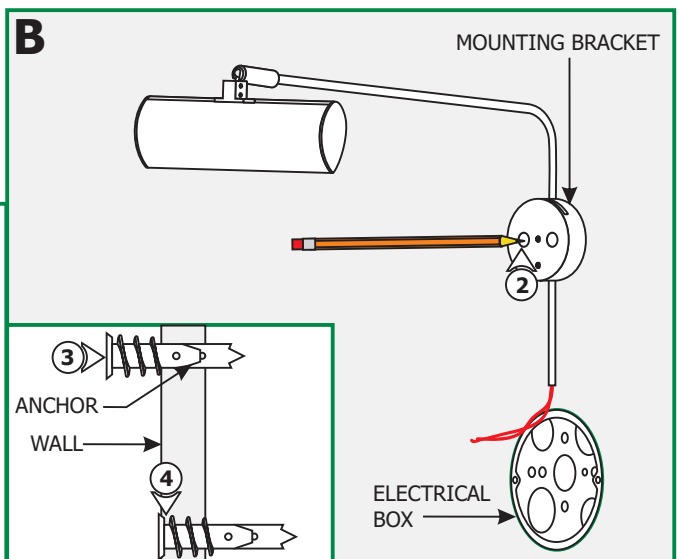
**A**



- 1:** Rotate the Cody's head perpendicular to the arm making sure the arm is completely inserted into the head. Tighten the M3 set screw on the swivel connector with the provided 1.5mm Allen wrench to secure the head in place.

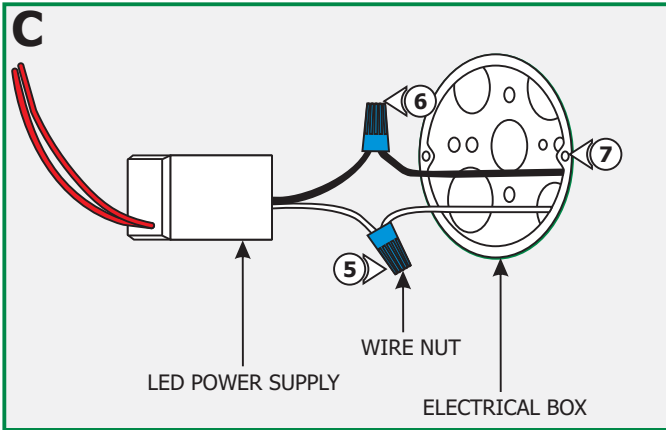


**B**



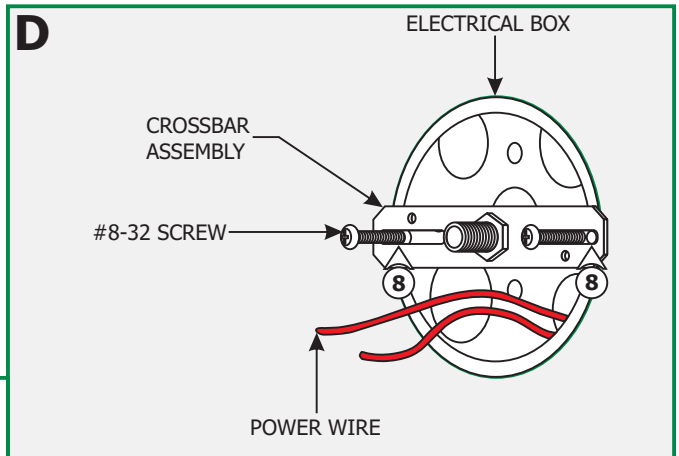
**NOTE:** The Cody 6" canopy mount must be installed right above the electrical box.

- 2:** Hold the mounting bracket against the wall above the electrical box. Level the mounting bracket and mark the bracket holes on the wall.
- 3:** Tap the anchors onto the marked points into the wall up to the threaded portion with a hammer.
- 4:** Screw the threaded portion of the anchors in with the a Phillips screwdriver.

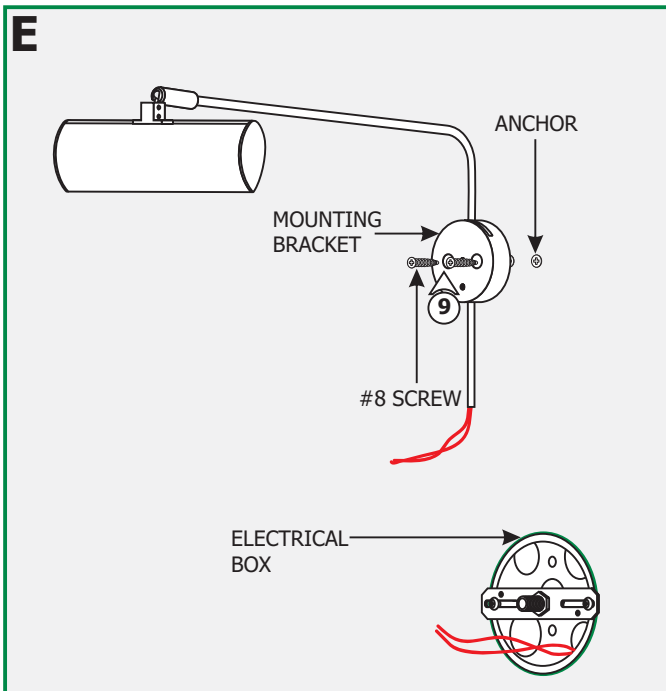


- 5:** Connect the white LED power supply wire to the neutral power wire with a wire nut.
- 6:** Connect the black LED power supply wire to the hot power wire with a wire nut.
- 7:** Place the LED power supply and all wire connections inside the electrical box.

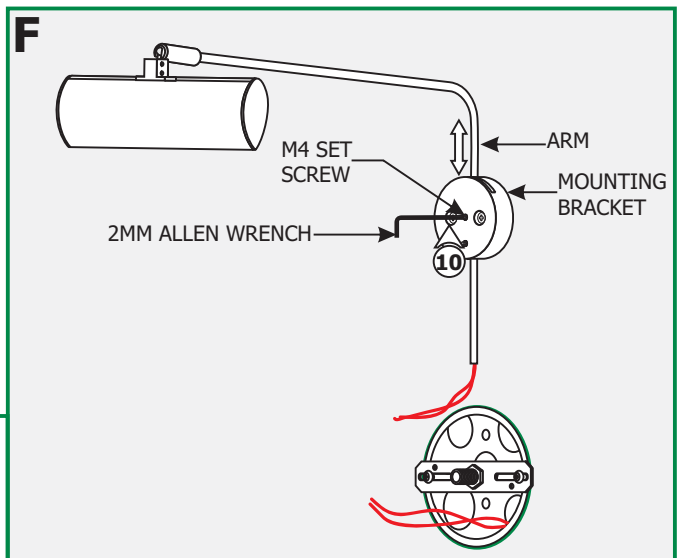
- 8:** Mount the crossbar assembly to the electrical box holes with the provided #8-32 screws.

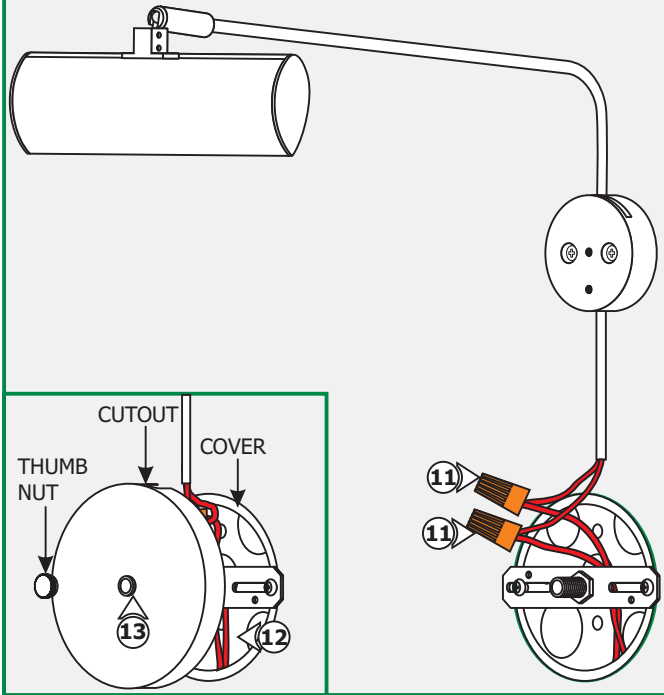


- 9:** Line up the mounting bracket holes with the anchors and secure the fixture to the anchors with the two #8 screws provided.



- 10:** To adjust the Cody height, loosen the two M4 set screw on the mounting bracket with the provided 2mm Allen wrench. Adjust the Cody by sliding it up or down. When the desired height is achieved tighten the two M4 set screws with the 2mm Allen wrench.

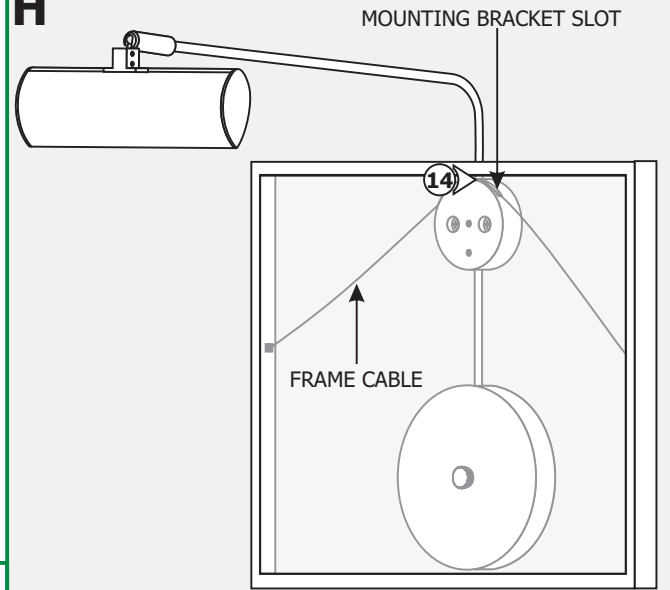


**G**

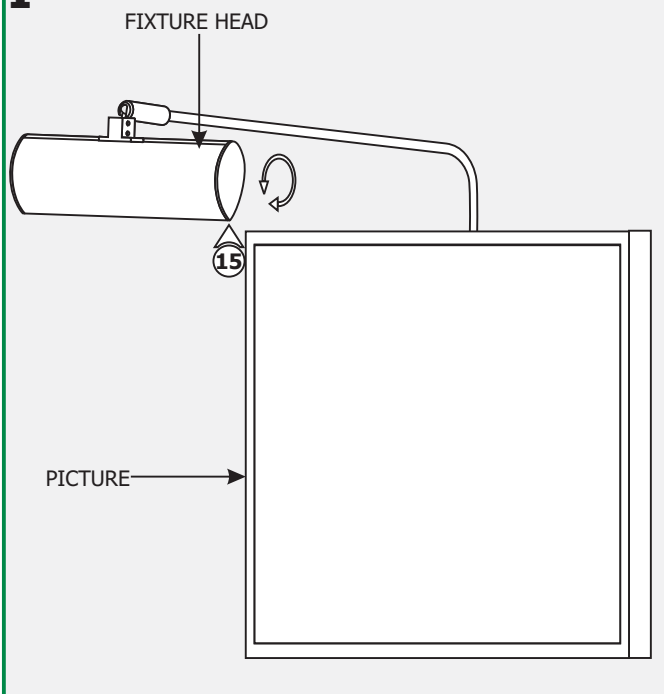
**11:** Connect each low voltage LED power supply wire (red wire) to one fixture wire with a wire nut.

**12:** Place the excess wires and wire nuts inside the electrical box.

**13:** Line up the canopy cut out edge with the fixture wires. Place the canopy onto the electrical box and tighten the thumb nut to the crossbar assembly nipple.

**H**

**14:** Hang the frame cable into the mounting bracket slot.

**I**

**15:** Rotate the fixture head to properly wash the picture with light.

**NOTE:** The Cody 6" contains 6 watt integrated LED lamps. These lamps are rated for 50,000 hours.