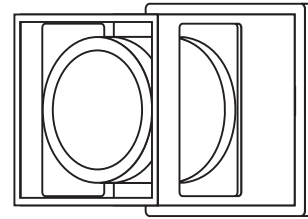


Installation Instructions for **Cube-O**

IMPORTANT SAFETY INSTRUCTIONS

To reduce the risk of fire, electrical shock, exposure to excessive UV radiation, or injury to persons:

- Do not look directly at the lamp while the fixture is on.
- **RISK OF FIRE:** Use only the type of lamp and maximum wattage indicated in this instruction manual.
- Never cover the halogen lamp with anything other than a lamp shield provided by Edge Lighting and never place flammable material close to the fixture.
- Never turn the fixture on and off by connecting and disconnecting the halogen lamp.
- Do not touch the fixture head, shade or lamp shield while the fixture is on. These surfaces may be **VERY HOT**.
- Do not touch lamp at anytime. Use a soft cloth instead as oil from skin may damage lamp.
- It is normal for a new halogen lamp to produce minor smoke when first turned on.
- Turn power off and allow to cool before replacing lamp.

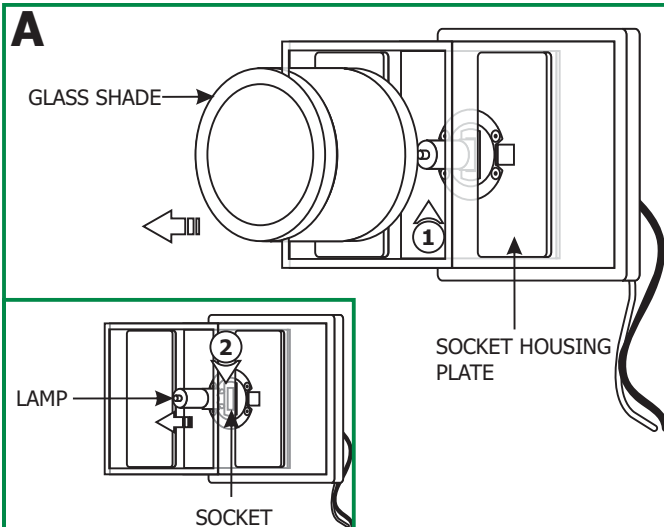


IMPORTANT INFORMATION

- This product is ETL listed for indoor and outdoor locations.
- **RISK OF FIRE:** This product must be installed 4 ft above the ground for wet locations.
- This product can be wall or ceiling mounted.
- This product can mount to either a 4" square electrical box with round plaster ring or an octagon electrical box.
- This product can be dimmed with a standard incandescent dimmer.
- This instruction shows a typical installation for indoor and outdoor.

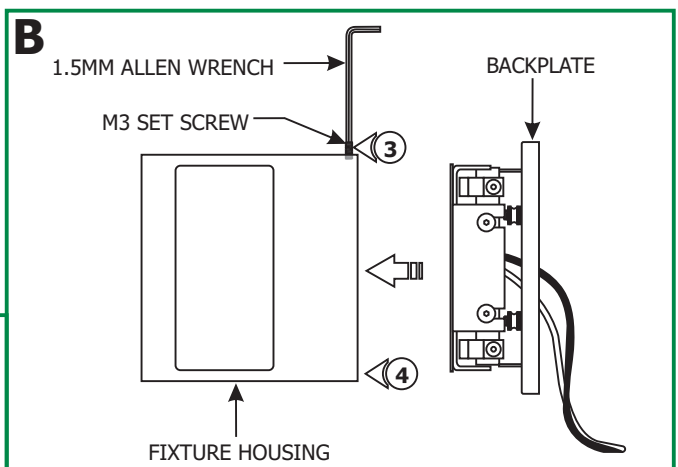
SAVE THESE INSTRUCTIONS!

Install the Fixture



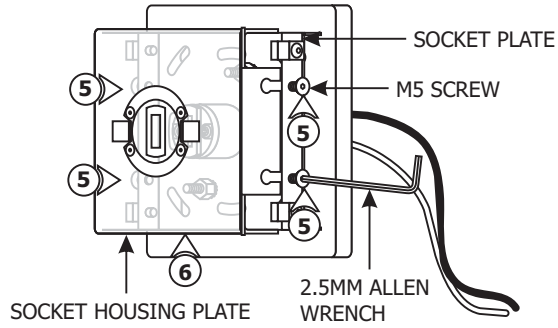
1: Carefully unscrew and remove the glass shade from the socket housing plate.

2: Remove the lamp with a soft cloth.



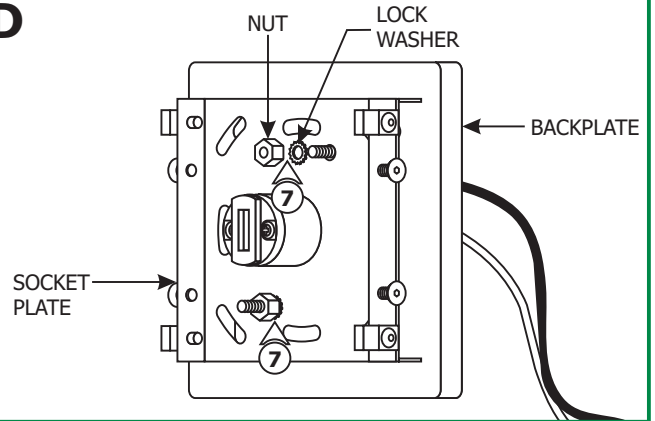
3: Loosen the M3 set screw on the fixture housing with the provided 1.5mm Allen wrench (**Do Not Remove**).

4: Pull off the fixture housing from the backplate.

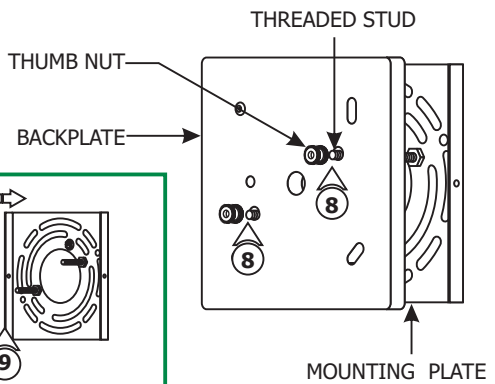
C

5: Loosen the four M5 screws on the sides of the socket plate with the provided 2.5mm Allen wrench (**Do Not Remove**).

6: Pull off the socket housing plate from the socket plate.

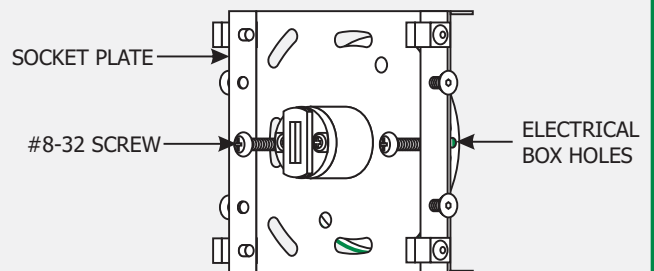
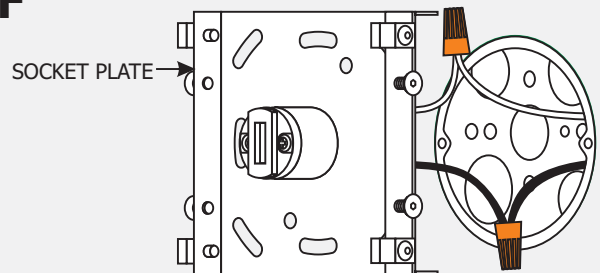
D

7: Remove the two nuts and lock washers to lift the socket plate off of the backplate.

E

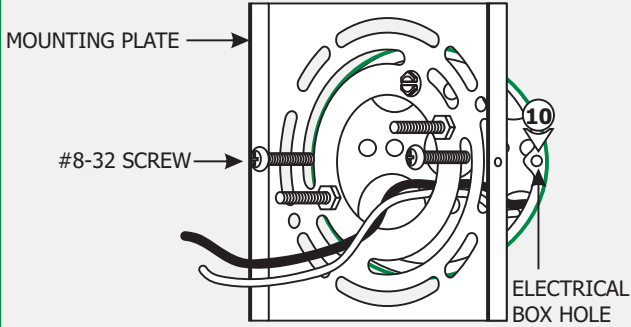
8: Remove the two thumb nuts from the backplate threaded studs.

9: Lift the mounting plate from the backplate.

F

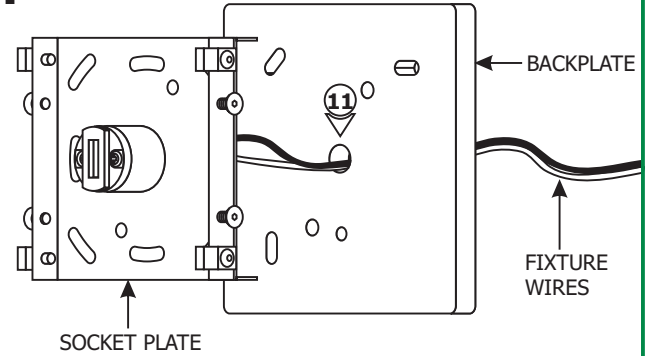
NOTE: The mounting plate and backplate can be omitted for indoor locations only if socket plate covers the entire electrical box.

NOTE: For installation without the mounting plate and backplate, connect the black and white socket plate wires to the hot and neutral power wires respectively. Make sure that the socket plate is grounded in accordance with electrical codes. Mount the socket plate to the electrical box with two #8-32 screws and omit steps 10 through 17.

G

10: Mount the mounting plate to the electrical box holes with the provided two #8-32 screws.

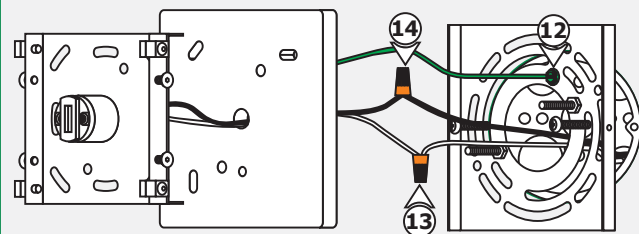
11: Feed the fixture wires from the socket plate into the backplate center hole.

H

12: Connect the backplate ground wire (bare wire) to the mounting plate. Make sure that the mounting plate is grounded in accordance with local electrical codes.

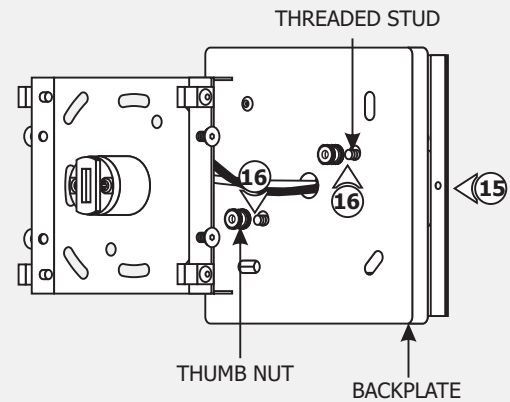
13: Connect the white fixture wire to the neutral power wire with a wire nut.

14: Connect the black fixture wire to the hot power wire with a wire nut.

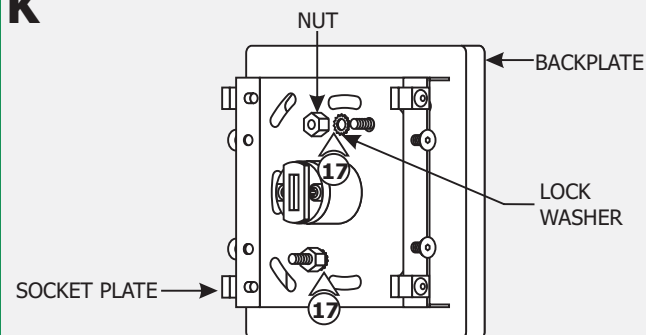
I

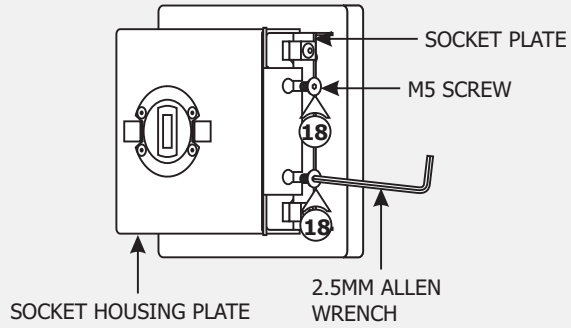
15: Place all wires and wire nut connections properly inside the electrical box.

16: Align the two backplate holes with the mounting plate threaded studs (make sure the gasket is in place) and secure it in place with the two thumb nuts.

J

17: Replace and tighten the two lock washers and nuts to secure the socket plate onto the backplate.

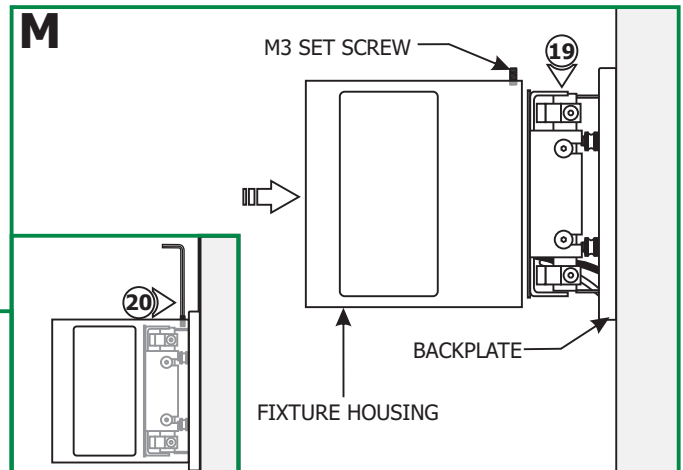
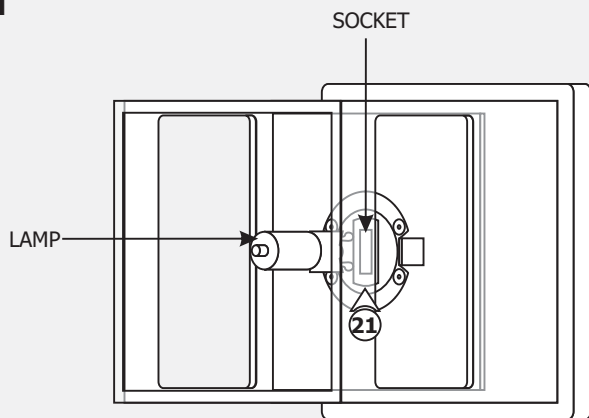
K

L

18: Push the socket housing plate slots onto the M5 screws and tighten them with the 2.5mm Allen wrench.

19: Align the fixture housing to the backplate (Make sure the set screw is on top) and push it completely in.

20: Tighten the M3 set screw on the fixture housing with the 1.5 MM Allen wrench to secure in place.

M**N**

CAUTION: To reduce risk of a burn or electrical shock during lamping, disconnect the power to the fixture.

NOTE: Use only fingers and a soft cloth to install the lamps.

Use **MAX** 60 Watt Type T4, G9 Base, Bi-Pin Halogen Lamp.



21: Push the lamp pins completely into the socket holes.

22: Align the slots on the glass shade ring with the socket housing plate tabs. Replace and rotate the glass shade to lock it in place.

23: For installation in **wet location**, caulk around the fixture fixture canopy with waterproof construction sealant.

O