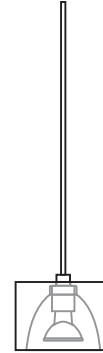


Installation Instructions for Izar Pendant

IMPORTANT SAFETY INSTRUCTIONS

To reduce the risk of fire, electrical shock, exposure to excessive UV radiation, or injury to persons:

- Use this fixture indoors only.
- Do not look directly at the lamp while the fixture is on.
- **RISK OF FIRE:** Use only the type of lamp and maximum wattage indicated in this instruction manual.
- Never cover the halogen lamp with anything other than a lamp shield provided by Edge Lighting and never place flammable material close to the fixture.
- Never turn the fixture on and off by connecting and disconnecting the halogen lamp.
- Do not touch the fixture head, shade or lamp shield while the fixture is on. These surfaces may be **VERY HOT**.
- Do not touch lamp at anytime. Use a soft cloth instead as oil from skin may damage lamp.
- It is normal for a new halogen lamp to produce minor smoke when first turned on.
- Do not operate the luminaire with a missing or damaged shield.
- Turn power off and allow to cool before replacing lamp.



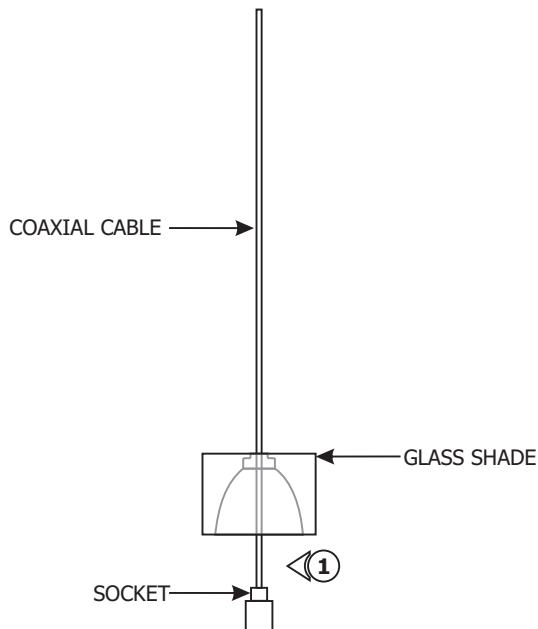
IMPORTANT INFORMATION

- This product is ETL listed for indoor dry locations and approved to be used at any height above the finished floor.

SAVE THESE INSTRUCTIONS!

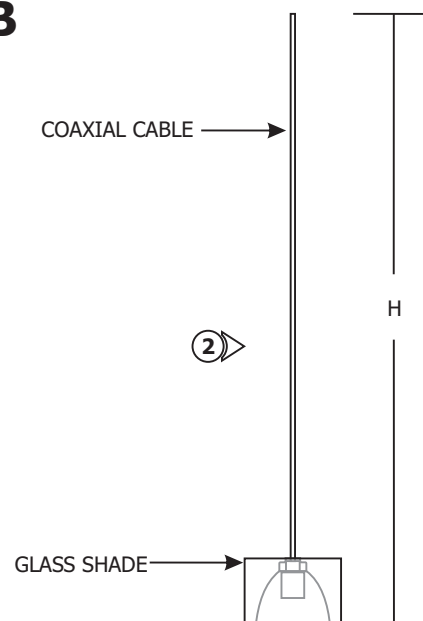
Adjust the Fixture Height

A

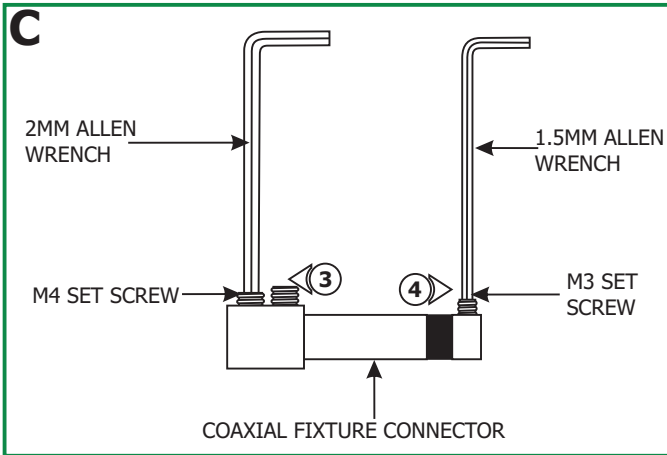


- 1:** Feed the fixture coaxial cable through the glass shade carefully lower the glass shade down to rest onto the socket.

B



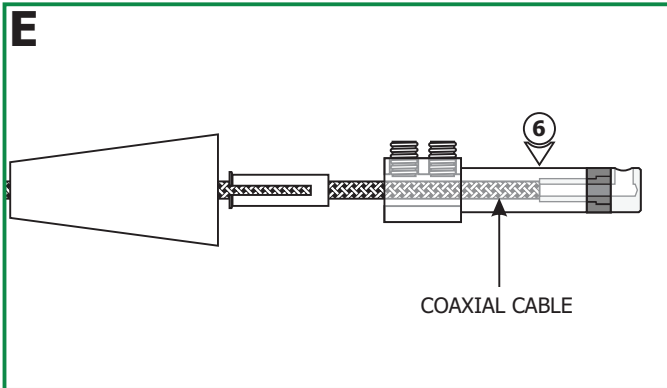
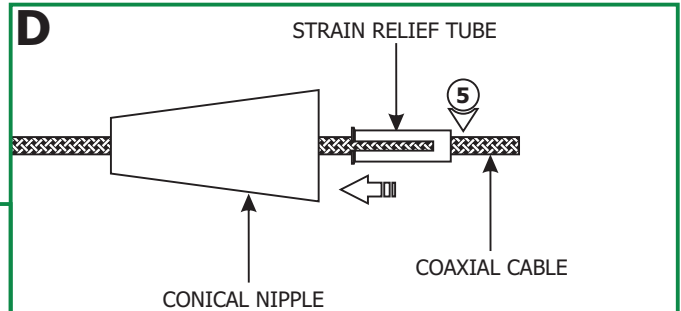
- 2:** Cut the coaxial cable to the desired height (H) with a sharp cutter. The overall fixture height is measured from the bottom of the glass shade to the end of the coaxial cable.



3: Loosen the two M4 set screw on base of the coaxial fixture connector with the 2mm Allen wrench provided. **Do not remove these set screws.**

4: Remove the M3 set screw on tip of the connector with the 1.5mm Allen wrench provided.

5: Feed the coaxial cable through the conical nipple and flared side of the strain relief tube. Slide the conical nipple and strain relief tube down the coaxial cable.

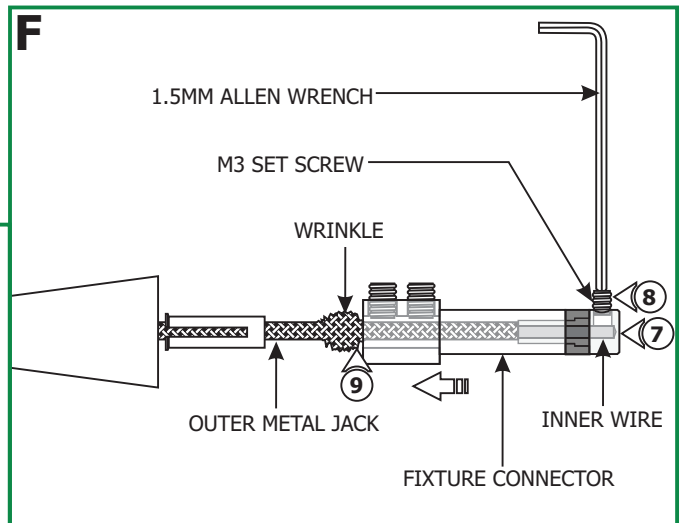


6: Feed the coaxial cable into the coaxial fixture connector. The coaxial cable will come to a stop point.

7: Keep feeding the coaxial cable in until the inner wire is visible in the screw hole of the fixture connector tip. The outer metal jacket will start to wrinkle.

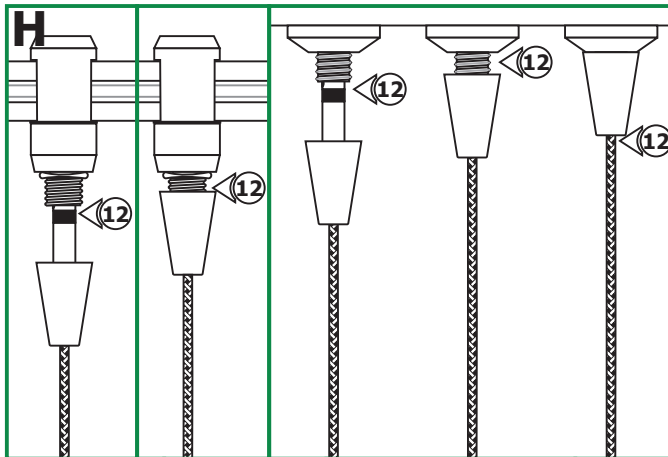
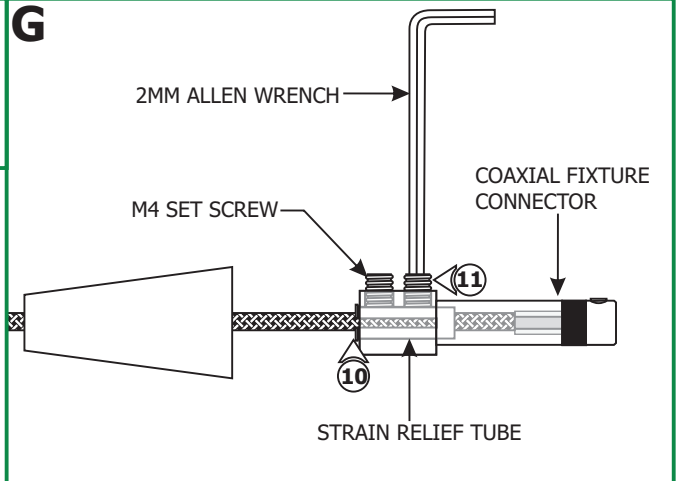
8: Hold the fixture connector in place. Replace and tighten the M3 set screw on fixture connector tip with the 1.5mm Allen wrench.

9: Pull down the outer metal jacket to smooth the wrinkles.



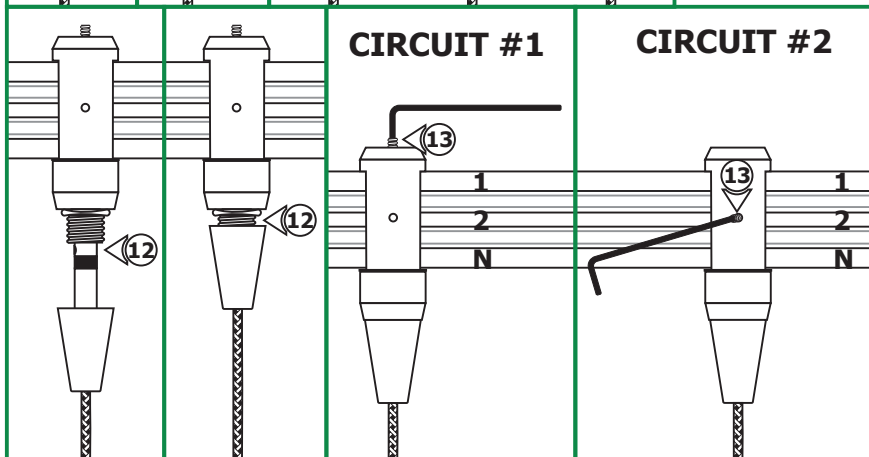
10: Push the strain relief tube completely into the coaxial fixture connector. Make sure the slot on the strain relief tube is not inline with the M4 set screw.

11: Tighten the two M4 set screws with the 2mm Allen wrench.



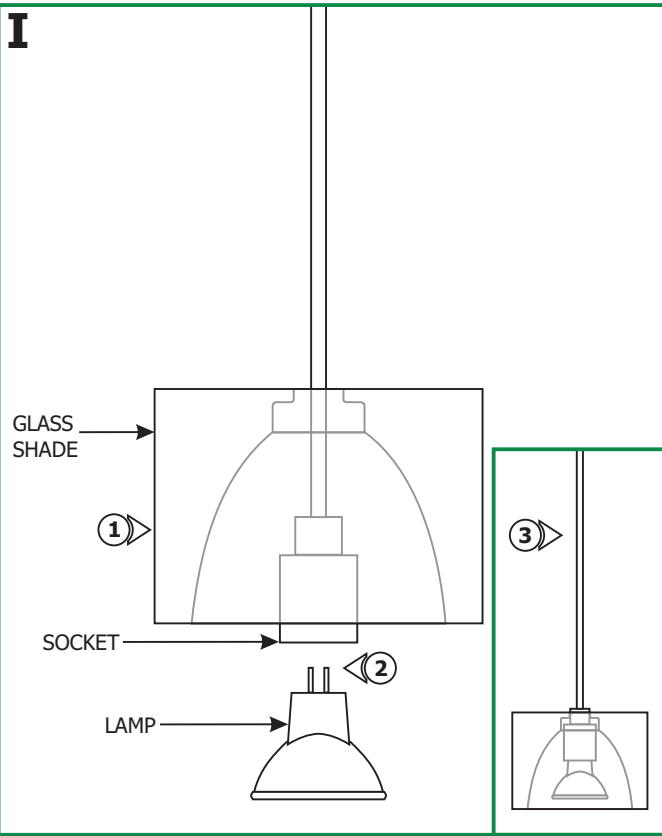
12: Use fingers to tighten the Fast Jack fixture connector into the Fast Jack system connector (Monorail, Monorail Wall, Monorail 2 Circuit, or multi-port and mono-point canopies. Refer to the instructions provided with the system connector or canopy).

13: Refer to the instructions provided with the Monorail 2 Circuit fixture connector to choose the Circuit #1 or Circuit #2.



Install the Lamp

I



CAUTION: To reduce risk of a burn or electrical shock during lamping, disconnect the power to the fixture.

Use **MAX 20** Watt, Type MR11 Front Glass Cover Halogen Lamp.



- 1: Lift glass shade up to expose the socket.
- 2: Push the lamp pins completely into the socket holes.
- 3: Carefully lower the glass shade down one at a time.