

Installation Instructions for 5,7, & 9 Port Round Fast Jack Canopies

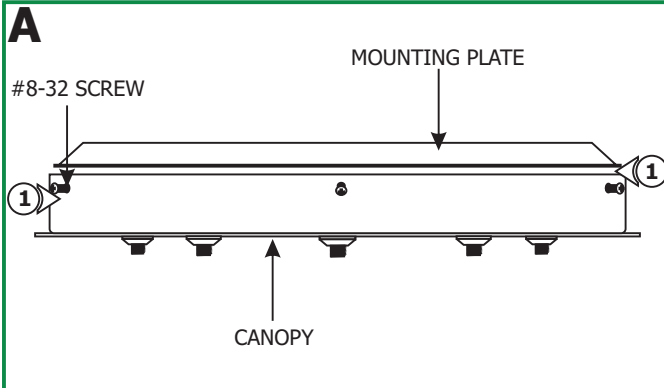
IMPORTANT INFORMATION

- This product is dimmable with a low voltage electronic dimmer.
- This product can be installed to a 4" electrical box with round plaster ring, or to an octagon electrical box.

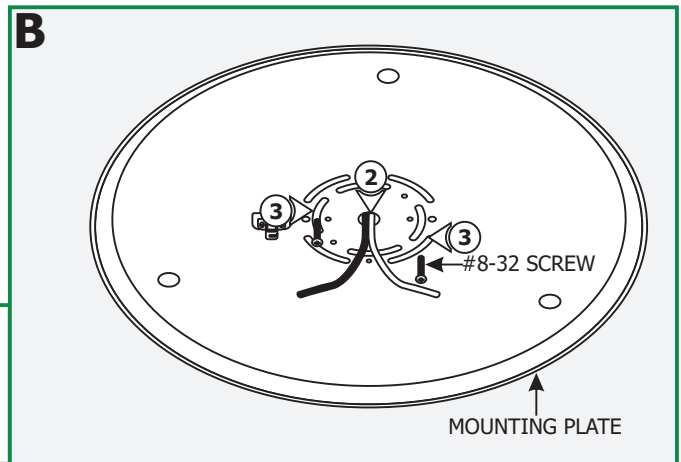
SAVE THESE INSTRUCTIONS!



Install the Canopy

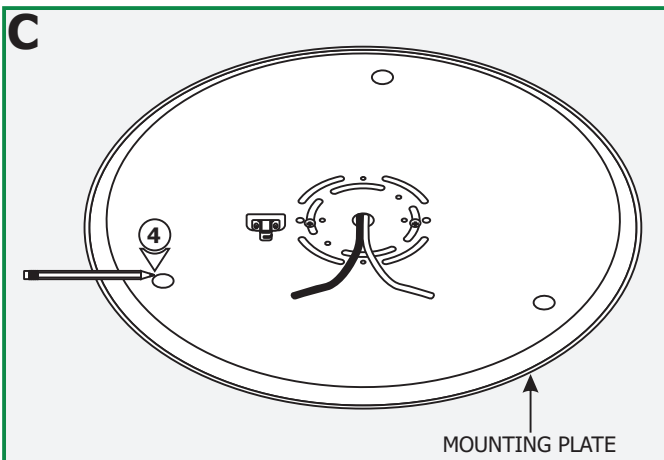


- 1:** Loosen and remove the six #8-32 screws around the canopy to remove the mounting plate.

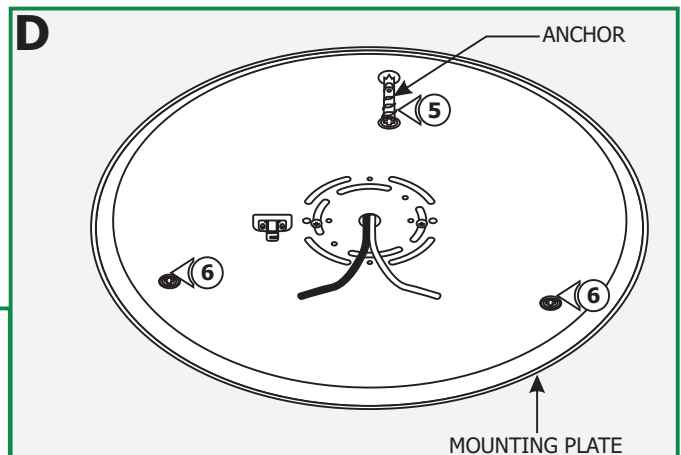


- 2:** Feed the power wires through mounting plate center hole.

- 3:** Align the mounting plate slots with the electrical box holes and secure it to the electrical box holes with the provided two #8-32 screws.

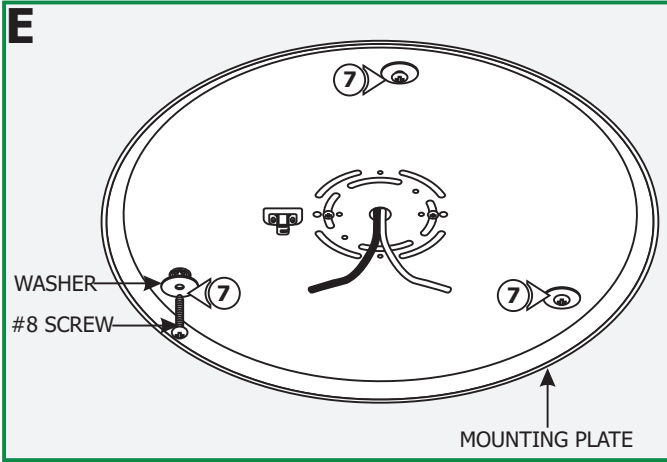


- 4:** Mark the three mounting plate holes on the ceiling.



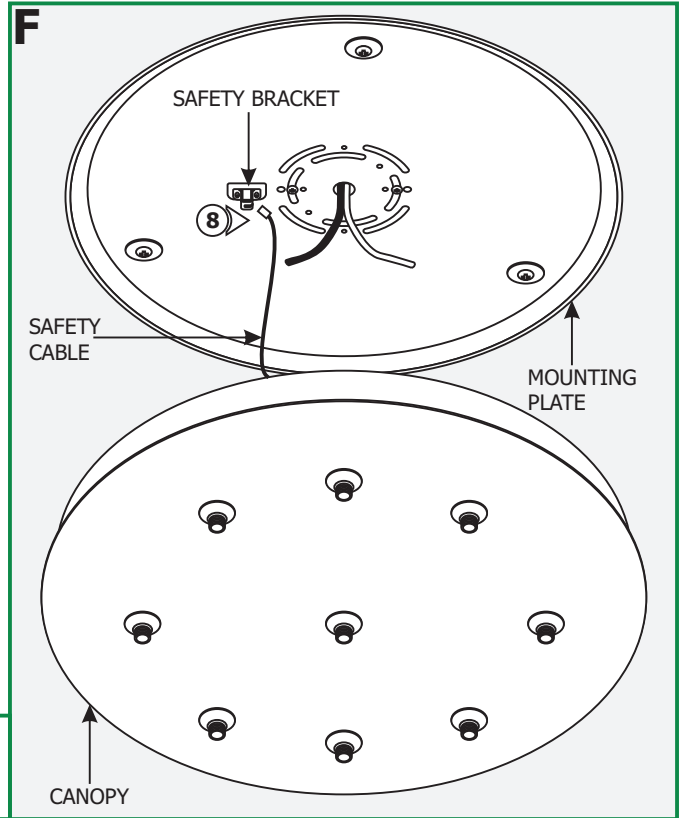
- 5:** Tap the anchors through the mounting plate holes onto the marked point up to the threaded portion with a hammer.

- 6:** Screw in the threaded portion of the anchors with a Phillips screwdriver.



7: Secure the mounting plate to the anchors with the provided #8 screws and washers.

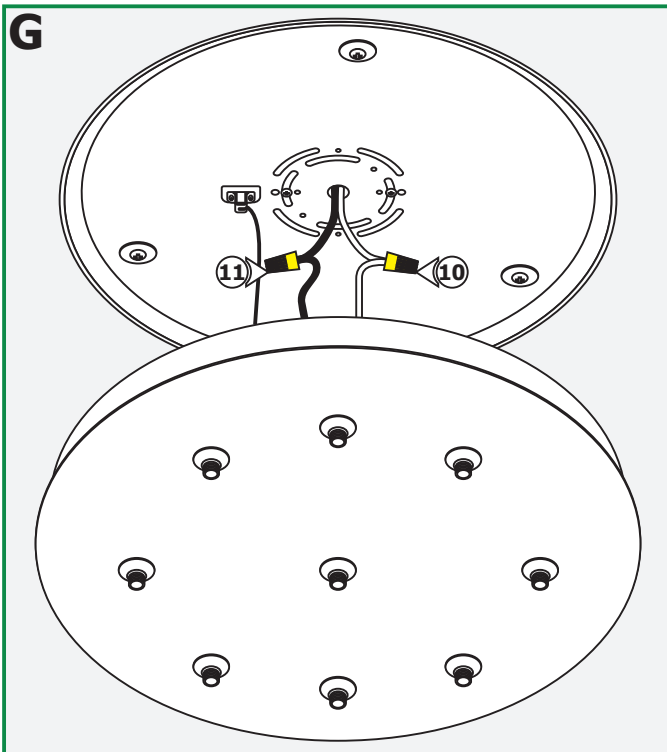
8: Insert one end of the safety cable into the safety bracket of mounting plate and the other end into the canopy safety bracket.

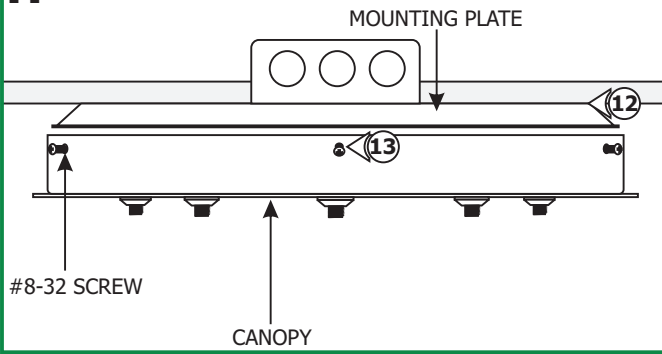


9: Make sure that the mounting plate is grounded in accordance with local electrical codes.

10: Connect the white fixture wire to the neutral power wire with a wire nut.

11: Connect the black fixture wire to the hot power wire with a wire nut.



H

12: Place all wires and wire nut connections inside the canopy.

13: Place the canopy onto the mounting plate and tighten the six #8-32 screws.

CAUTION: Risk of Fire: MAX load of each Fast Jack canopy connector is 50 watt.

14: Use fingers to tighten each Fast Jack fixture connector into one Fast Jack canopy port.

I