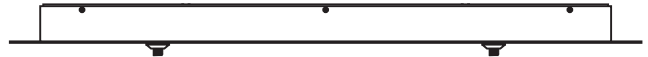


Installation Instructions for 26" Rectangle 2 Port Fast Jack Canopy

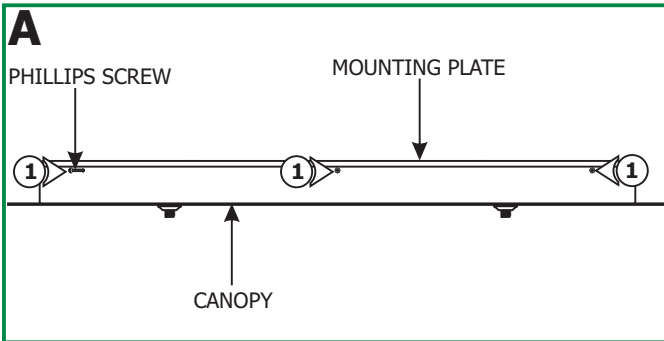
IMPORTANT INFORMATION

- This product is ETL listed for indoor dry locations.
- This product is dimmable with a standard incandescent dimmer.
- This product can be installed to a 4" electrical box with round plaster ring, or to an octagon electrical box.

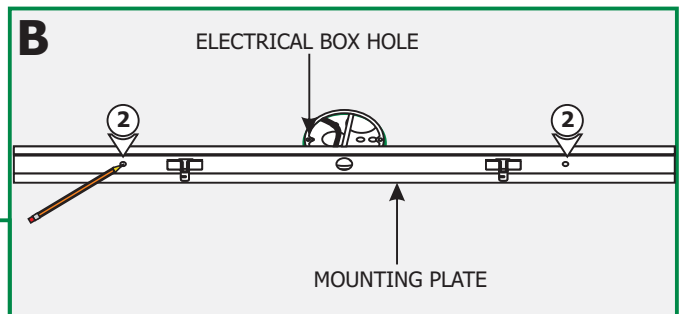
SAVE THESE INSTRUCTIONS!



Install the Canopy



- 1:** Loosen and remove the six Phillips screws from the canopy to remove the mounting plate.



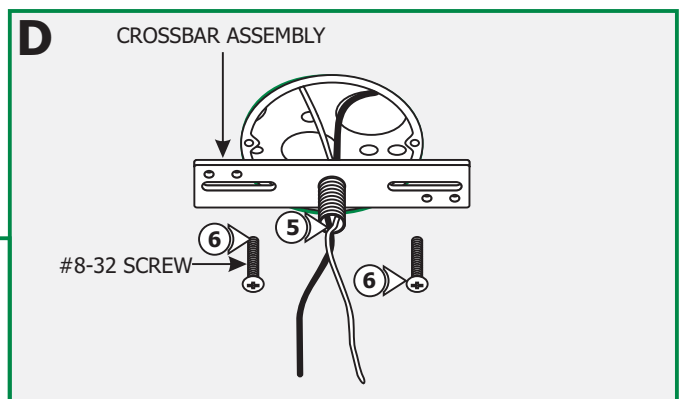
- 2:** Align the mounting plate holes with the electrical box holes and mark a point through the mounting plate holes onto the ceiling. These points are used for the anchors.



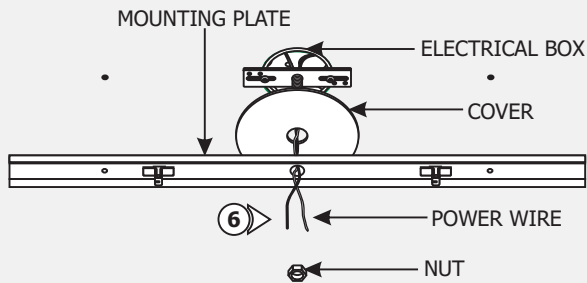
- 3:** Tap the anchors onto the marked points up to the threaded portion with a hammer.

- 4:** Screw in the threaded portion of the anchors with a Phillips screwdriver.

- 5:** Feed the power wires through the crossbar assembly center hole.
- 6:** Mount the crossbar assembly to the electrical box holes with the provided #8-32 screws.



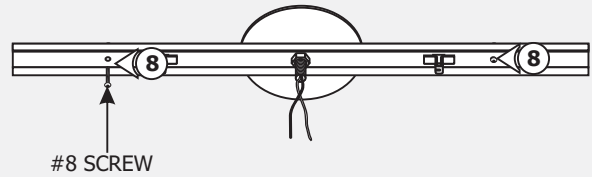
E



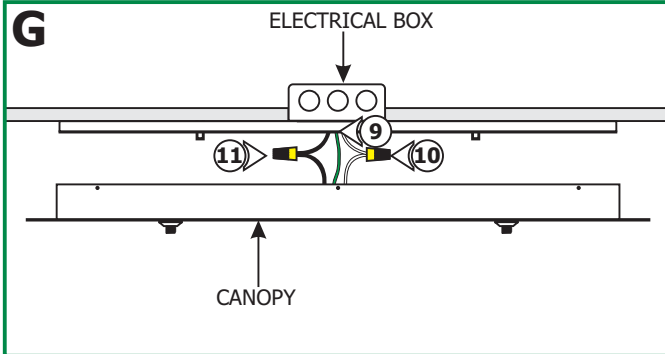
7: Slide the cover and mounting plate center hole onto the crossbar threaded nipple and secure it with the nut provided.

8: Secure the mounting plate to the anchors with the provided #8 screws.

F



G



9: Make sure the mounting plate is grounded in accordance with local electrical codes.

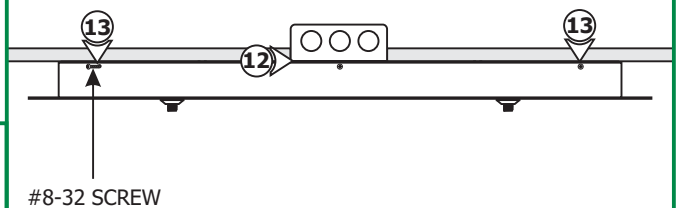
10: Connect the white fixture wire to the neutral power wire with a wire nut.

11: Connect the black fixture wire to the hot power wire with a wire nut.

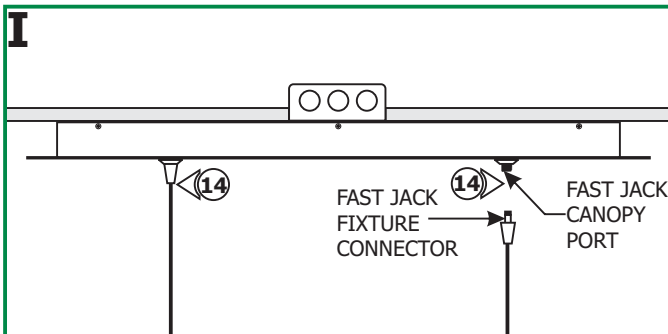
12: Place all the wires and wire nut connections inside the canopy.

13: Align and secure the canopy to the mounting plate by tightening the six #8-32 screws.

H



I



CAUTION: Risk of Fire: MAX load of each Fast Jack canopy port is **75** watt.

14: Use fingers to tighten each Fast Jack fixture connector into one Fast Jack canopy port.