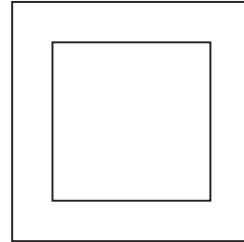


## Installation Instructions for **Frame Halogen Kit**

### IMPORTANT SAFETY INSTRUCTIONS

To reduce the risk of fire, electrical shock, exposure to excessive UV radiation, or injury to persons:

- Use this fixture indoors only.
- Do not look directly at the lamp while the fixture is on.
- **RISK OF FIRE:** Use only the type of lamp and maximum wattage indicated in this instruction manual.
- Never cover the halogen lamp with anything other than a lamp shield provided by Edge Lighting and never place flammable material close to the fixture.
- Never turn the fixture on and off by connecting and disconnecting the halogen lamp.
- Do not touch the fixture head, shade or lamp shield while the fixture is on. These surfaces may be **VERY HOT**.
- Do not touch lamp at anytime. Use a soft cloth instead as oil from skin may damage lamp.
- It is normal for a new halogen lamp to produce minor smoke when first turned on.
- Turn power off and allow to cool before replacing lamp.

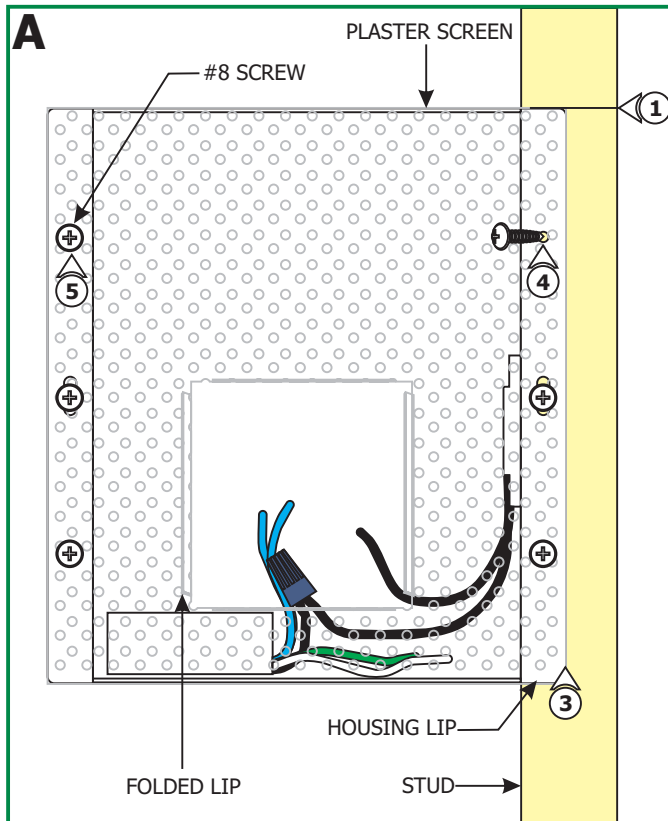


### IMPORTANT INFORMATION

- This product is ETL listed for indoor dry locations.
- This product is wall mounted only.
- This product can be dimmed with an electronic low voltage dimmer.

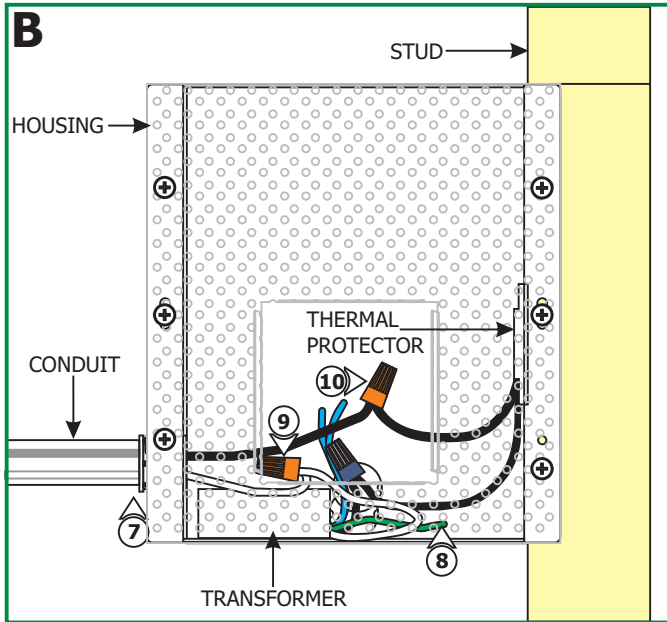
**SAVE THESE INSTRUCTIONS!**

## Install the Vision Housing



**NOTE:** One of the housing lips needs to be installed to the nearest stud of the desired location.

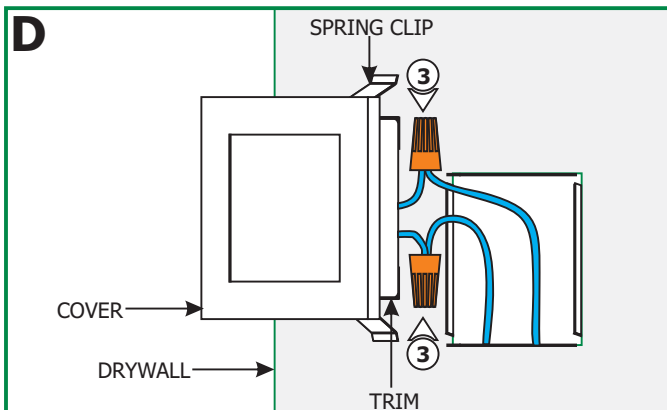
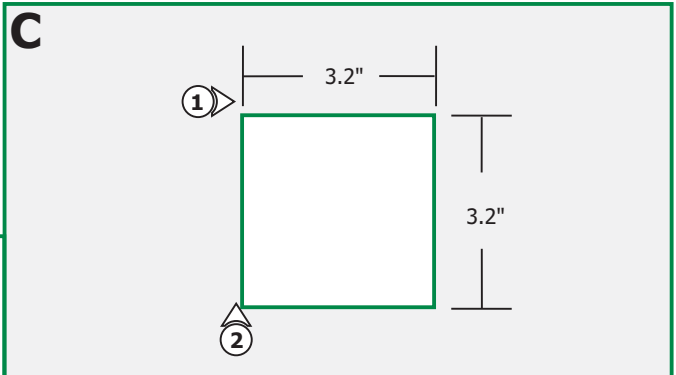
- 1:** Mark the location on the stud where the housing will be mounted.
- 2:** Place the plaster screen in front of the housing so that the folded lips face outside.
- 3:** Line up the screw holes on the plaster screen with the screw holes of the housing and place one housing lip against the marked stud.
- 4:** Secure the housing along with the plaster screen to the stud with the provided three #8 screws.
- 5:** Use the other three #8 screws to secure the plaster screen to the housing.



- 6: Remove a knock out to install the power line conduit.
- 7: Install the conduit and run the power line wires to the housing.
- 8: Make sure that the housing is grounded in accordance with local electrical codes.
- 9: Connect the white transformer wire to the neutral power line wire with a wire nut.
- 10: Connect the black thermal protector wire to the hot power line wire with a wire nut.
- 11: The black transformer wire is connected by default to the other wire of the thermal protector.

## Install Drywall, Trim & Lamp

- 1: Mark 3.2" square(s) on drywall where the housing opening is (are) located.
- 2: Cut out the marked square(s) and install the drywall.



- 3: After installing drywall and finishing it, connect each wire coming out of the housing opening to one trim wire with a wire nut.
- 4: Place all wires inside the housing and gently push the trim into the housing opening by squeezing the springs clips.

**CAUTION:** To reduce risk of a burn or electrical shock during lamping, disconnect the power to the fixture.

**NOTE:** Use only fingers and a soft cloth to install the lamps.

Use **MAX 20** Watt Bi-Pin Halogen Lamp. 

- 10: Carefully pull the trim cover out of the housing to expose the socket.
- 11: Push the lamp pins completely into the socket assembly holes.
- 12: Replace and push the trim cover back into the trim housing until it snaps into place.

