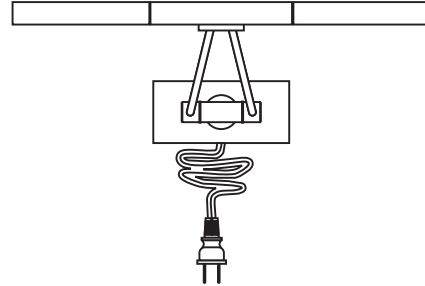


Installation Instructions for Galleria Plug-In Picture Light

IMPORTANT SAFETY INSTRUCTIONS

To reduce the risk of fire, electrical shock, exposure to excessive UV radiation, or injury to persons:

- Do not look directly at the lamp while the fixture is on.
- **RISK OF FIRE:** Use only the type of lamp and maximum wattage indicated in this instruction manual.
- Never cover the halogen lamp with anything other than a lamp shield provided by Edge Lighting and never place flammable material close to the fixture.
- Never turn the fixture on and off by connecting and disconnecting the halogen lamp.
- Do not touch the fixture head, shade or lamp shield while the fixture is on. These surfaces may be **VERY HOT**.
- Do not touch lamp at anytime. Use a soft cloth instead as oil from skin may damage lamp.
- It is normal for a new halogen lamp to produce minor smoke when first turned on.
- Do not operate the luminaire with a missing or damaged shield.
- Turn power off and allow to cool before replacing lamp.

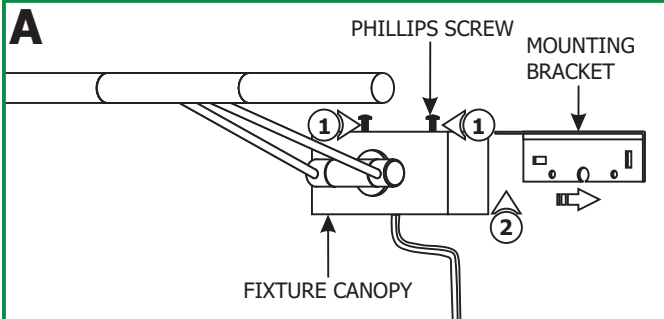


IMPORTANT INFORMATION

- This product is wall mount for indoor locations.
- This instruction shows a typical installation.

SAVE THESE INSTRUCTIONS!

Install the Fixture



1: Loosen and remove the two Phillips screws from the top of the fixture canopy.

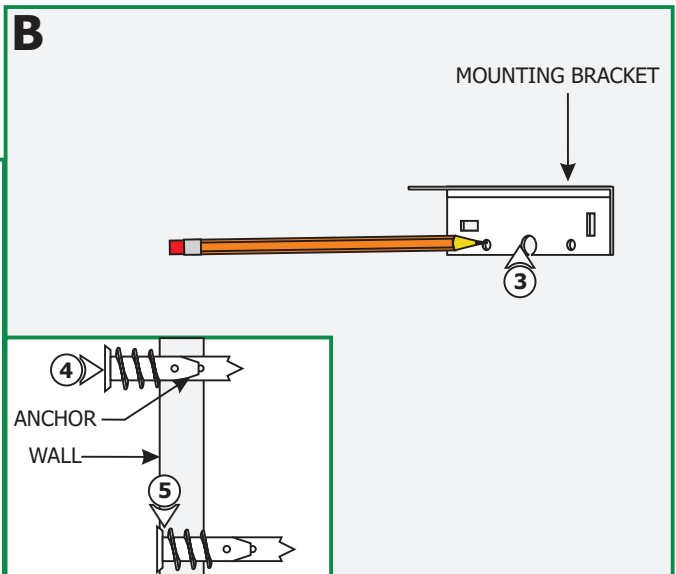
2: Pull the mounting bracket off of the fixture canopy.

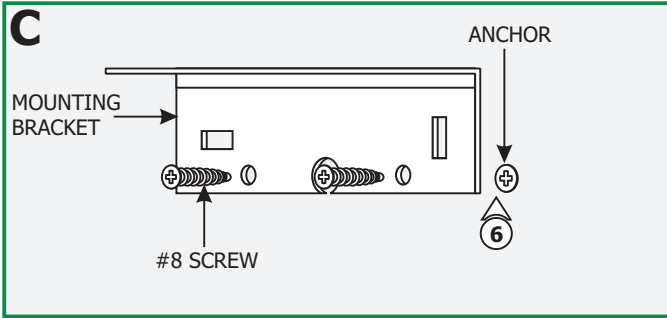
NOTE: The fixture comes with 8' of plug-in cord and switch. Make sure there is a power outlet near to where fixture will be mounted.

3: Hold the mounting bracket against the wall where fixture will be mounted. Level the mounting bracket horizontally and mark the two bracket holes on the wall.

4: Tap the anchors onto the marked points into the wall up to the threaded portion with a hammer.

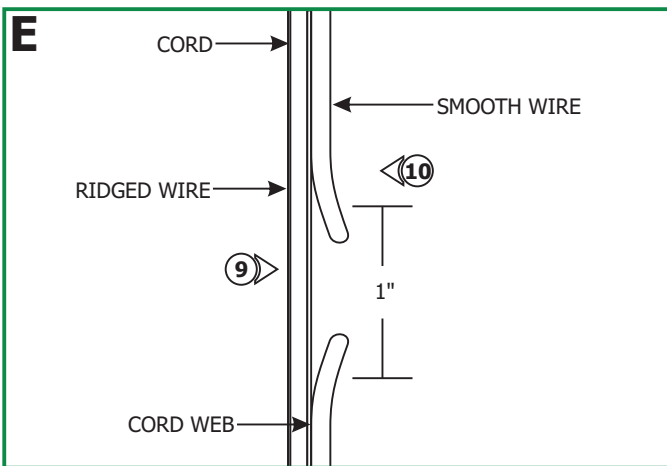
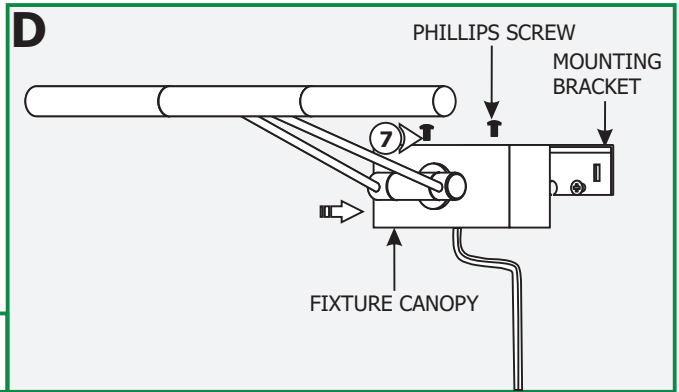
5: Screw the threaded portion of the anchors in with the a Phillips screwdriver.





6: Line up the mounting bracket holes with the anchors and secure the fixture to the anchors with the two #8 screws provided.

7: Place the fixture canopy onto the mounting bracket and tighten the two Phillips screws to secure the fixture in place.



8: Select the location on the cord where the switch will be installed.

9: With a sharp knife cut about 1" in the cord web. Make sure not to nick the insulation on either wire.

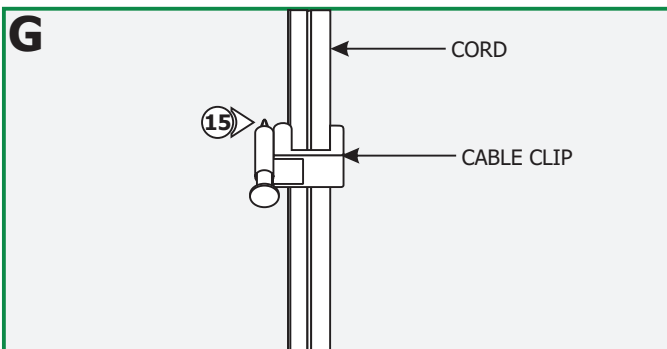
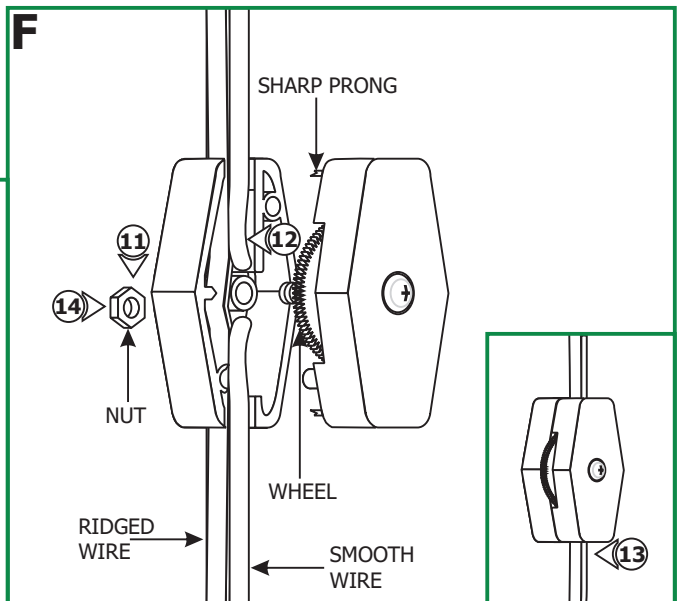
10: Cut the smooth wire in half.

11: Loosen the screw on one side of the switch to remove the nut from the other side. Separate the two halves from each other.

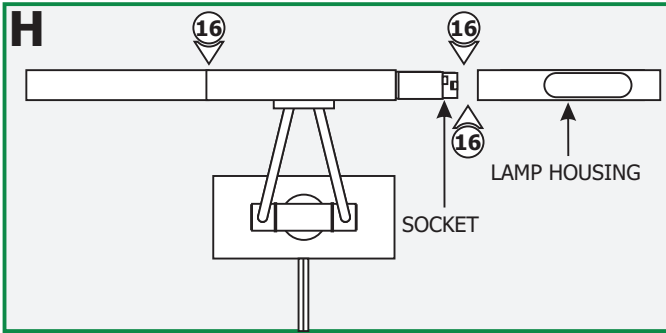
12: Place the half of the switch without the wheel onto the cut portion of the cord. The uncut ridged wire should pass through the half where the cut wire will be blocked in the middle. This will ensure the switch connectivity.

13: Replace the half with wheel onto the other half so that the sharp prongs pierce the insulation of the cut wire.

14: Replace the nut and tighten the screw ensuring that both halves are mated properly.



15: Use the provided cable clips to secure the cord to the wall, or use a cable cover (not provided).



16: Pull out the two lamp housings from the fixture to expose the two sockets.

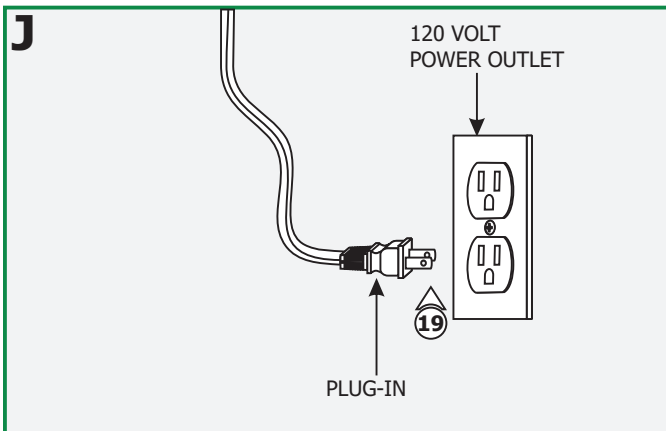
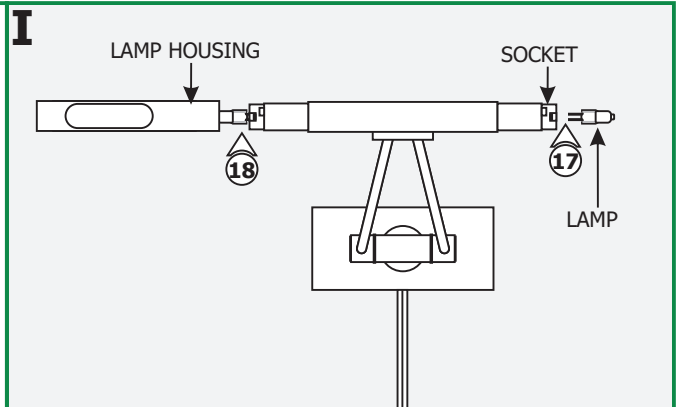
CAUTION: To reduce risk of a burn or electrical shock during lamping, disconnect the power to the fixture.

NOTE: Use only fingers and a soft cloth to install the lamps.

Use **MAX 20** Watt Bi-Pin Xenon (Xelogen) lamp, or low pressure halogen lamp specified by the lamp manufacturer to be used with unshielded (without the lamp shield) fixture, for each socket.

17: Push the lamp pins completely into the socket holes.

18: Replace the lamp housings.



19: Plug the power supply into the 120 volt power outlet.

20: Rotate the fixture arms to the desired position, and tighten the two M4 set screws in the bottom of the fixture body to secure into place.

21: Rotate the lamp housings to aim the light towards desired area.

