

Installation Instructions for Louver Lens Holder MR16

IMPORTANT INFORMATION

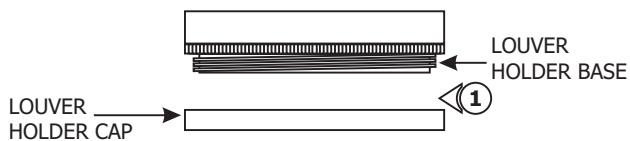
- This product is ETL listed for indoor dry locations.

SAVE THESE INSTRUCTIONS!



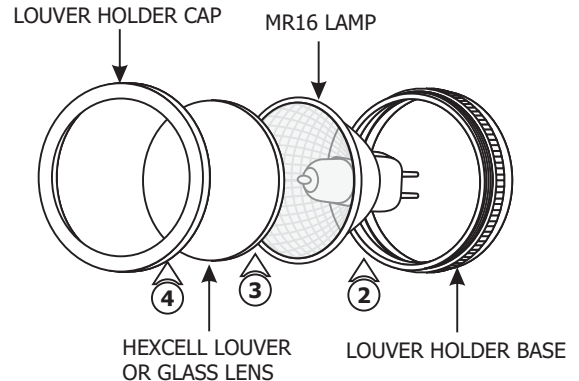
Install the Louver Lens Holder

A



1: Unscrew and remove the louver holder cap from the louver holder base.

B



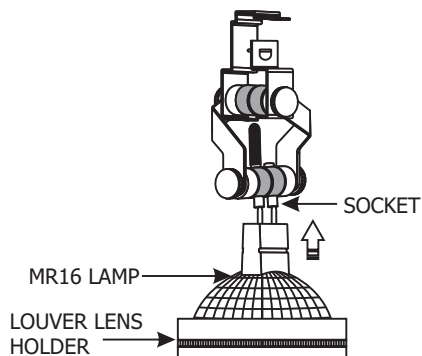
2: Place the MR16 lamp into the louver holder base.

3: Place a hexcell louver (Optional) or a glass lens (Optional) or a combination of any two on the front of the MR16 lamp.

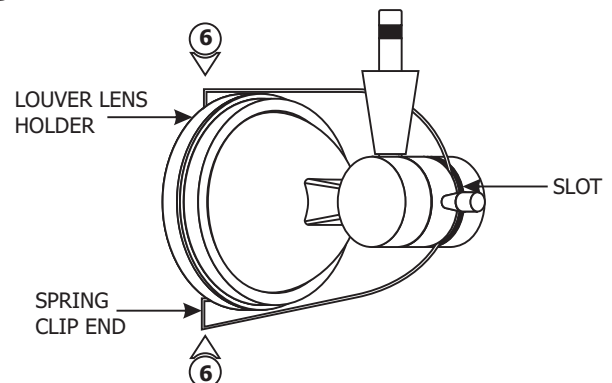
4: Replace and tighten the louver holder cap to the louver holder base.

5: Push the lamp pins completely into the socket holes.

C



D



6: (OPTIONAL)-For fixtures like Gear, place one end of the spring clip on the front edge of the louver lens holder. Wrap the spring through the slot into the middle of the socket and place the other end on the front edge of the louver lens holder.