

## Installation Instructions for Monorail 24", 48", & 96"

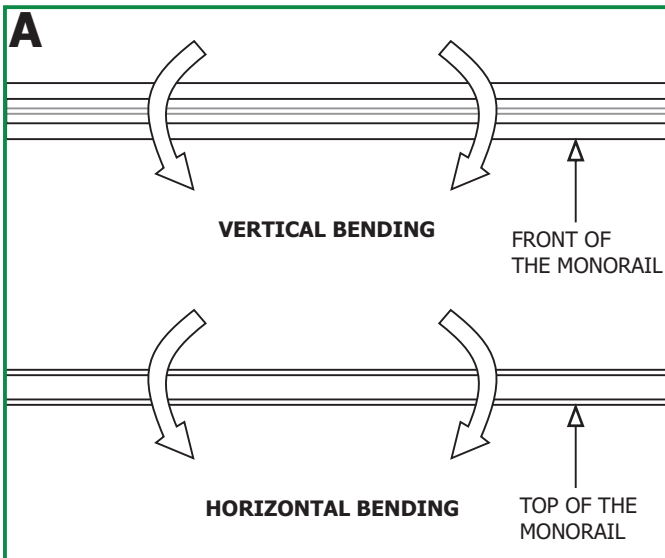
### IMPORTANT INFORMATION

- This product is ETL listed for indoor dry locations.
- Monorail is bendable horizontally to a radius as small as 6" and vertically to a radius as small as 24".
- The product is intended to be used with Edge Lighting Monorail systems only.

**SAVE THESE INSTRUCTIONS!**



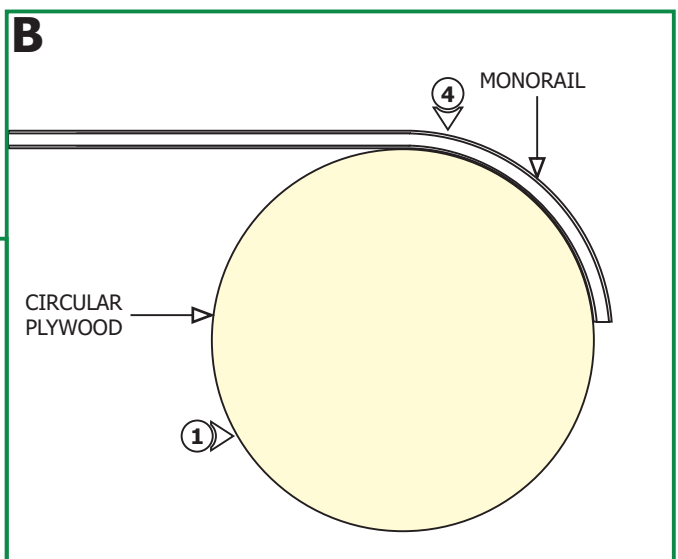
## Techniques to Bend the Monorail



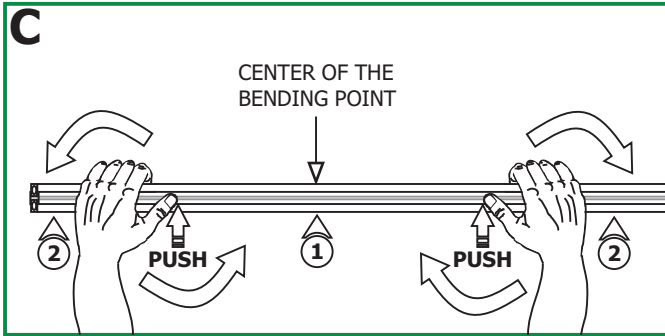
**NOTE:** There are three techniques to bend the Monorail horizontally which are Plywood Template, Free Style, and Wiremold pipe bender. Monorail can only be bent vertically by a Wiremold pipe bender. When bending vertically, bend the Monorail in short increments and avoid bending it back which may cause the rails to separate from the insulator.

## Horizontal Bending Using a Plywood Template

- 1: Determine the radius of the curve or circle.
- 2: Draw the curve on plywood and cut out the pattern from the plywood.
- 3: Secure the plywood in place.
- 4: Hold one edge of the Monorail against the plywood. Start bending the Monorail against the plywood until the desired curve or circle is achieved.



## Free Style Horizontal Bending

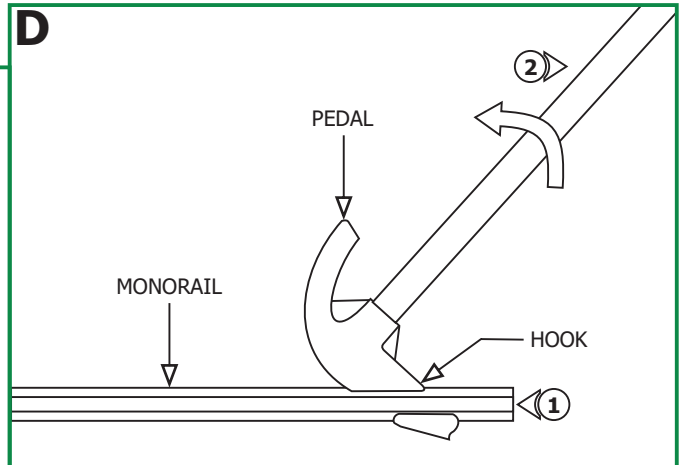


- 1: Locate the center of the bending point on a Monorail section. The bending point should be centered between hands.
- 2: For a smooth curve, bend the Monorail with hands as far apart as possible. Move hands close together as bending progresses and the desired shape is achieved.

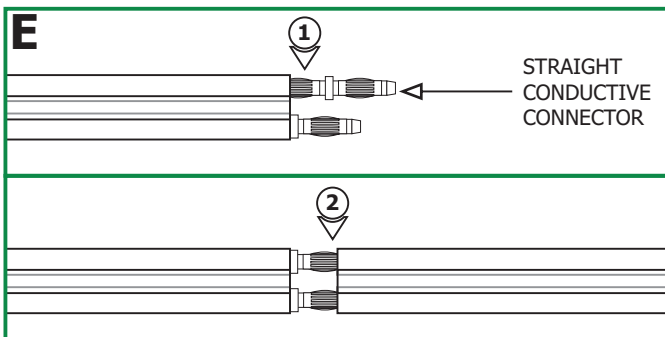
**NOTE:** The Wiremold pipe bender can be used to create smooth horizontal curve of 90° or less. Do not step on the pedal of the pipe bender which will flatten and damage the Monorail. For offsets, refer to the instructions provided with the pipe bender.

- 1: Feed the Monorail through the pipe bender hook.
- 2: Start bending the Monorail with small angles (less than 10°) by gently pulling back on the pipe bender handle.
- 3: After each bend unhook and check the Monorail against the pattern.

## Wiremold Pipe Bender (Horizontal or Vertical Bend)



## Joining Monorail Sections with Straight Conductive Connectors



- 1: Push the straight conductive connectors completely into the end of one Monorail section.
- 2: Push the other Monorail section entirely onto the straight conductive connectors.

- 1: Push the straight isolating connectors completely into one Monorail section end and push the other Monorail section entirely onto the straight isolating connectors.
- 2: Tighten the #6-32 set screws on each of the isolating connector firmly with the 1/16 Allen wrench. **Do not over tighten the set screws as this may strip the threads.**

## Joining Monorail Sections with Straight Isolating Connectors

