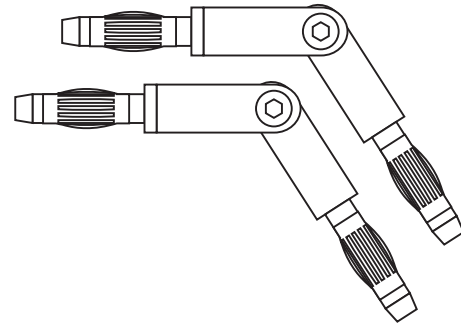


## Installation Instructions for **Monorail Flexible Conductive Connector**

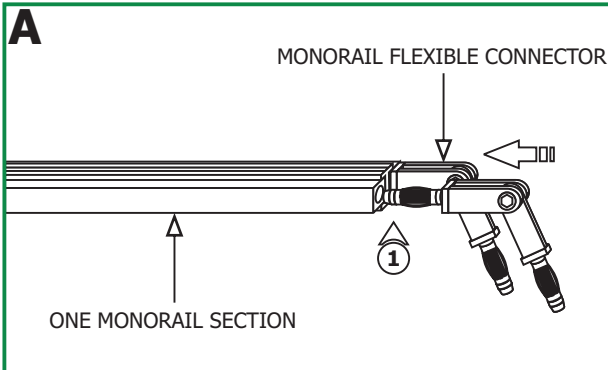
### IMPORTANT INFORMATION

- This product is ETL listed for indoor dry locations.
- This product joins and electrically conducts two Monorail sections end to end at any sharp angle.
- The product is intended to be used with Edge Lighting Monorail systems only.

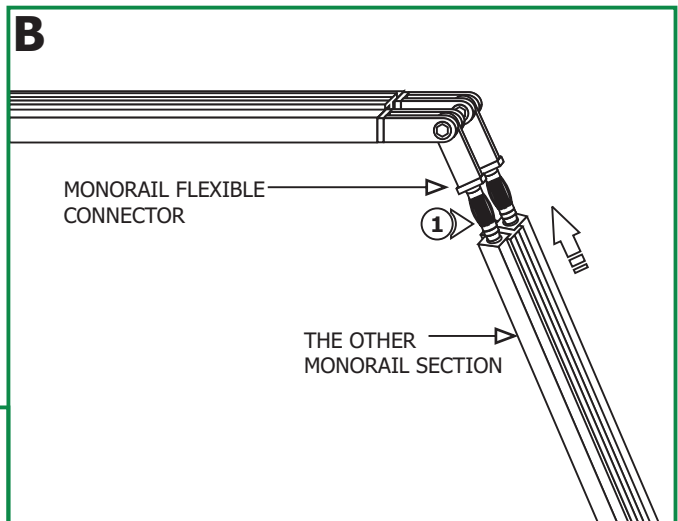
**SAVE THESE INSTRUCTIONS!**



## Install the Monorail Flexible Connector



**1:** Push each Monorail flexible connector pin completely into one Monorail section hole. **Make sure this Monorail section is secured with the standoffs (Refer to the instructions provided with the standoffs).**



**2:** Push the other Monorail section completely onto the Monorail flexible connector pins and simultaneously connect this Monorail to the standoffs.