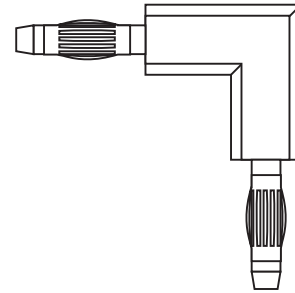


Installation Instructions for Monorail Ceiling "L" Conductive Connector

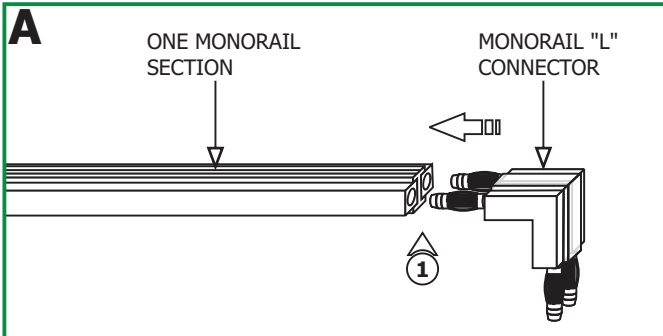
IMPORTANT INFORMATION

- This product is ETL listed for indoor dry locations.
- This product joins and electrically conducts two Monorail sections end to end at 90° angle for ceiling installation.
- The product is intended to be used with Edge Lighting Monorail systems only.

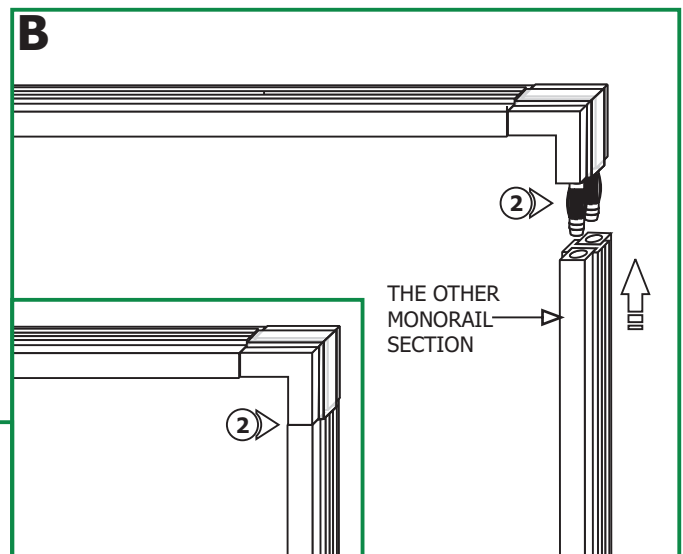
SAVE THESE INSTRUCTIONS!



Install the Monorail Ceiling "L" Connector



1: Push the Monorail ceiling "L" connector pins completely into one Monorail section. **Make sure this Monorail section is secured with the standoffs (Refer to the instructions provided with the standoffs).**



2: Push the other Monorail section completely onto the Monorail ceiling "L" connector pins and simultaneously connect the Monorail to the standoffs.