

Installation Instructions for Monorail Adjustable Standoff

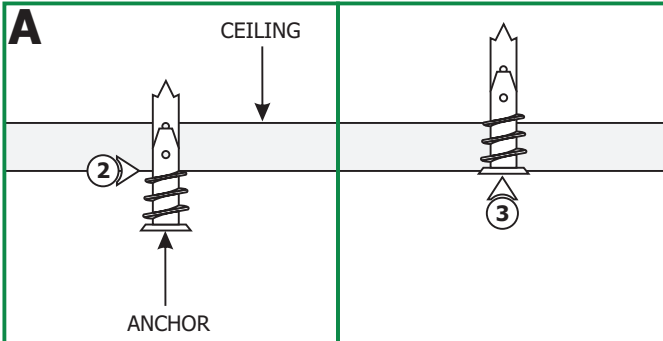
IMPORTANT INFORMATION

- This product is ETL listed for indoor dry locations.
- The product is intended to be used with Edge Lighting Monorail systems only.
- Use Monorail standoffs where the Monorail sections join together and approximately every 3 feet throughout the Monorail run.

SAVE THESE INSTRUCTIONS!

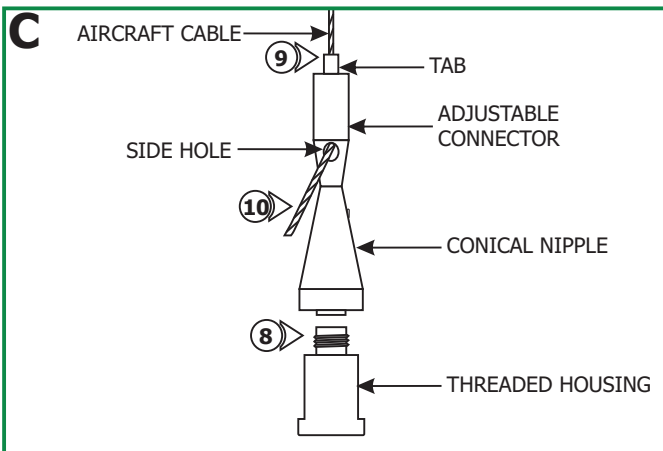
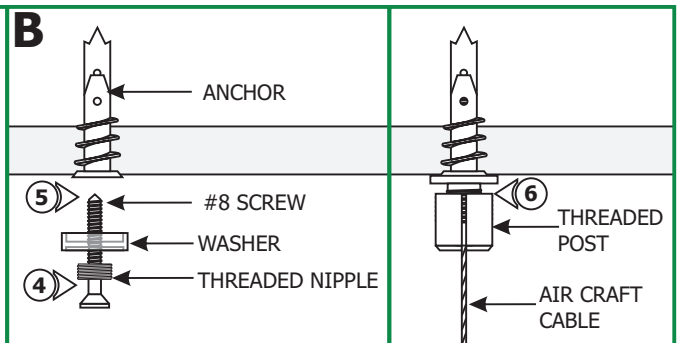


Install the Standoff

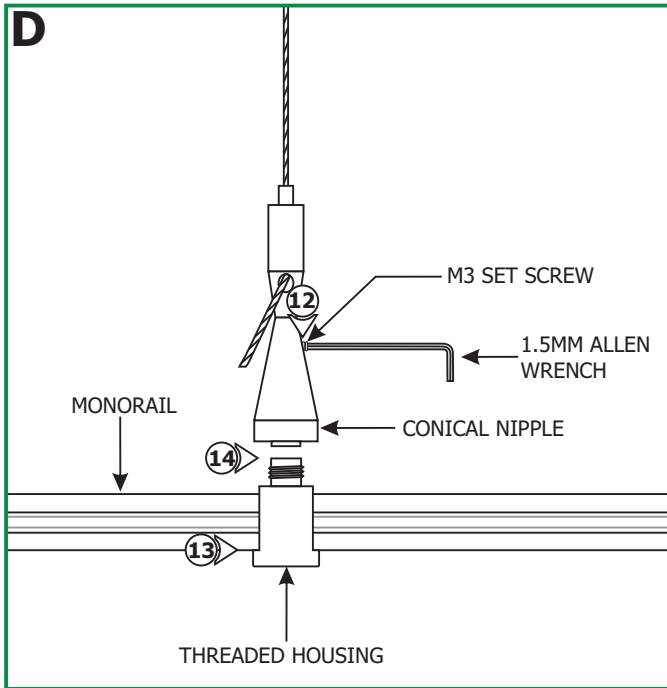


- 1: Hold the Monorail section against the ceiling or use a plumb bob to mark the standoff locations onto the ceiling (this may require more than one person).
- 2: Tap the anchors onto the marked locations up to the threaded portion with a hammer.
- 3: Screw in the threaded portion of the anchors with a Phillips screwdriver.

- 4: Feed the #8 screw through the countersunk side of the threaded nipple and washer. **Make sure the side of the washer with deeper countersunk is facing the anchor.**
- 5: Tighten the #8 screw completely into the anchor.
- 6: Tighten the threaded post completely onto the threaded nipple.
- 7: Repeat steps 4 through 6 for the remaining standoffs.



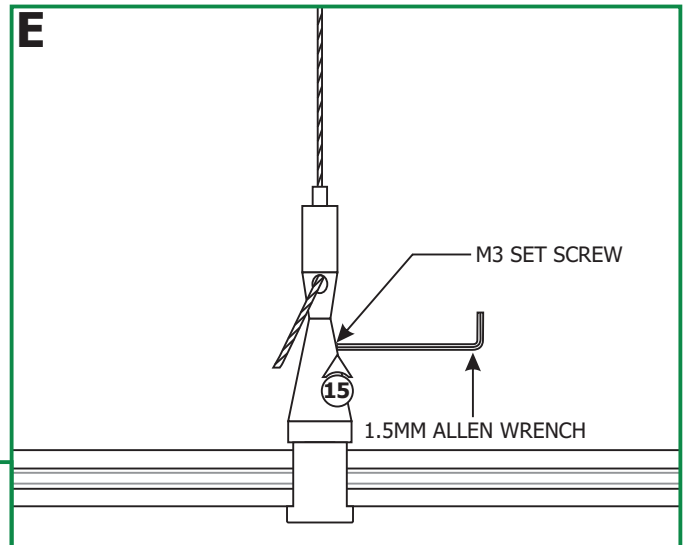
- 8: Remove the threaded housings from the conical nipples.
- 9: Push the tab on the adjustable connector and feed the aircraft cable through the top of the tab.
- 10: Pull the aircraft cable coming out of the side of the adjustable connector. Release the tab to lock the adjustable connector in place.
- 11: Repeat steps 9 and 10 for the remaining standoffs.

D

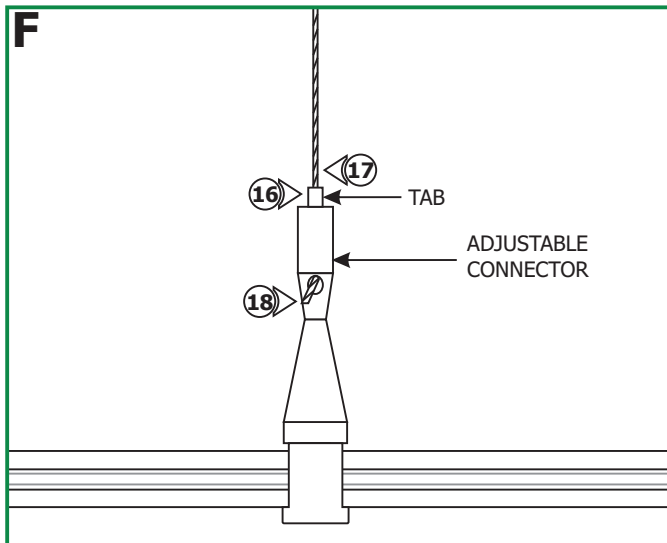
12: Slightly loosen the M3 set screw on the conical nipple of each of the standoffs with the 1.5mm Allen wrench so that the conical nipples can rotate easily.

13: Place the Monorail into the threaded housings (this may require more than one person).

14: Tighten the threaded housings to the conical nipples (this may require more than one person). **Make sure threaded housings are not cross threaded.**

E

15: Tighten the M3 set screw on the conical nipples with the 1.5mm Allen wrench.

F

16: To adjust the standoff height, hold the end of the aircraft cable while pushing the tab on the adjustable connector down and sliding the standoff up or down.

17: When desired height is achieved release the tab to lock the adjustable standoff in place.

18: Trim off excess aircraft cable coming out of the adjustable connector side hole for a neat finished look.

19: Repeat step 16 through 18 for the remaining standoffs.