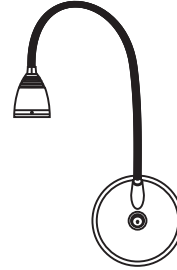


Installation Instructions for Night Owl 3

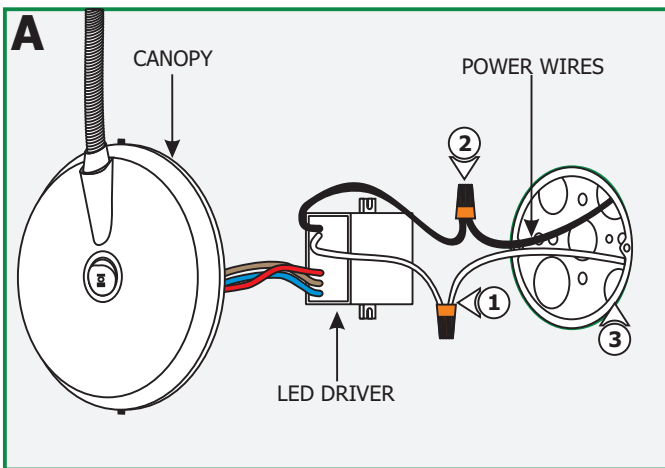
IMPORTANT INFORMATION

- This product is ETL listed for indoor locations.
- This product is for wall mount application.
- This instruction shows a typical installation for indoor.

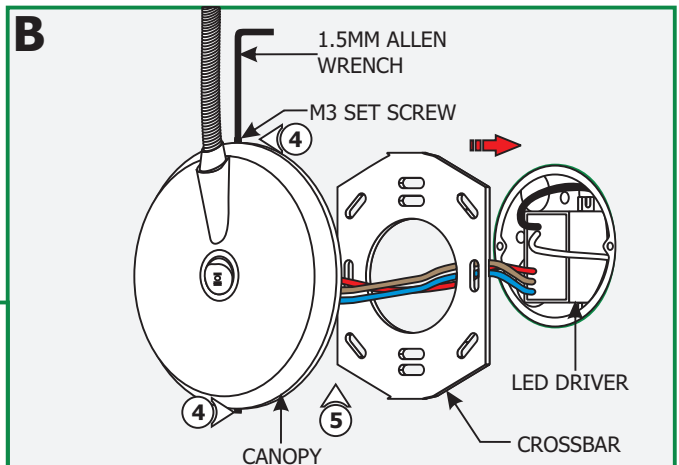
SAVE THESE INSTRUCTIONS!



Install the Fixture

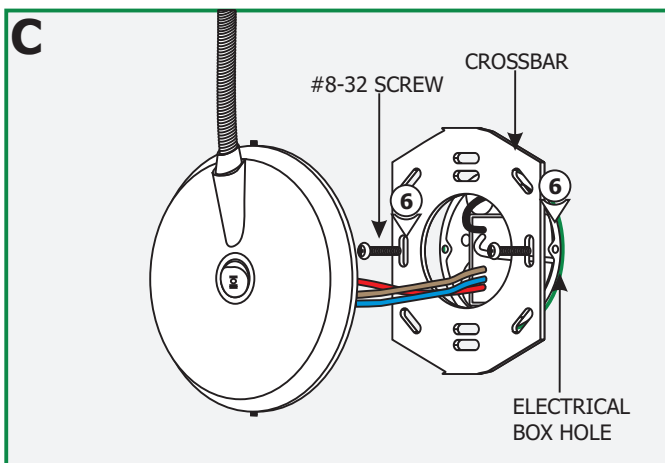


- 1: Connect the LED driver white primary wire to the neutral power wire with a wire nut.
- 2: Connect the LED driver black primary wire to the hot power wire with a wire nut.
- 3: Place the LED driver and wires inside the electrical box.

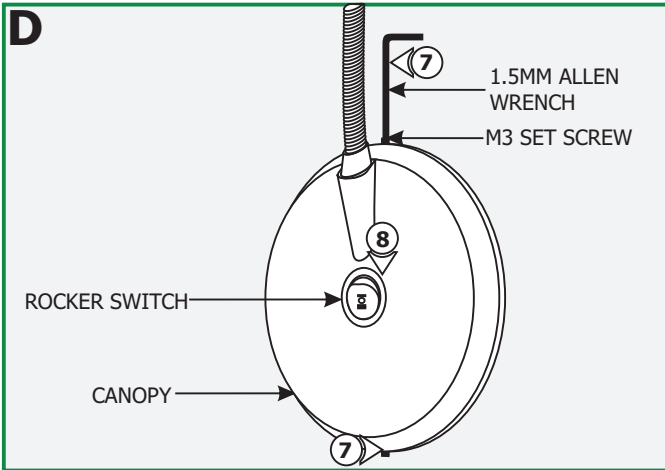


- 4: Loosen (**Do Not Remove**) the two M3 set screws on top and bottom of the canopy with the 1.5mm Allen wrench provided.

- 5: Remove the crossbar from the canopy.



- 6: Line up the crossbar slots with the electrical box holes, and secure it in place by tightening the two #8-32 screws provided. Make sure that the crossbar is leveled horizontally.



7: Place the canopy onto the crossbar and secure it in place by tightening the two M3 set screws with the 1.5mm Allen wrench.

8: Use the rocker switch to control the intensity of the light.

9: Rotate the front ring on the fixture head to adjust the beam spread to either a spot or flood.

NOTE: Rotate the front ring on the fixture head clockwise for a flood beam or counterclockwise for a spot beam.

NOTE: The fixture contains a **3 Watt** integrated LED lamp. This lamp is rated for 50,000 hours.

