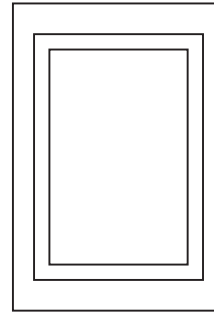


Installation Instructions for Plaza Large

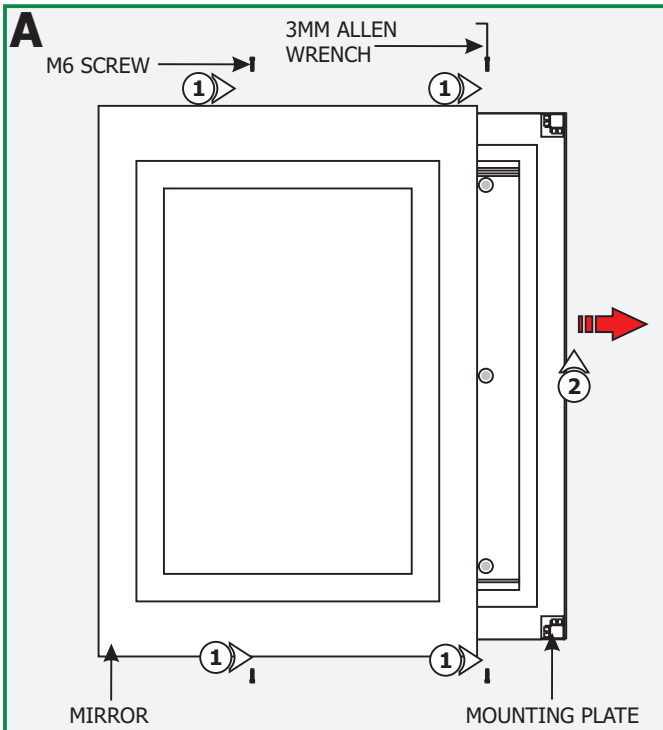
IMPORTANT INFORMATION

- This product is ETL listed for indoor dry locations.
- This product is wall mounted only.
- Supply power to mirror in accordance with local electrical codes.
- This instruction shows a typical installation
- This product is dimmable with 0-10V dimmers.

SAVE THESE INSTRUCTIONS!



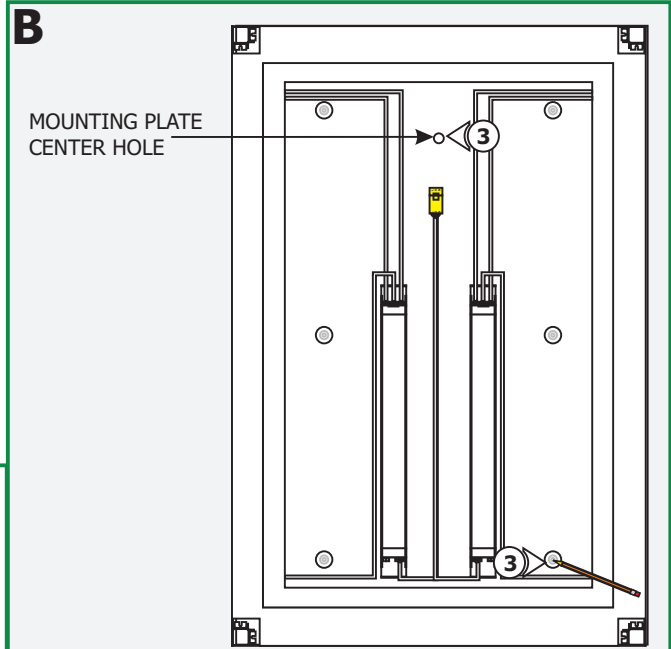
Install the Mounting Plate



NOTE: It is recommended that one person holds the mounting plate while the electrician installs it.

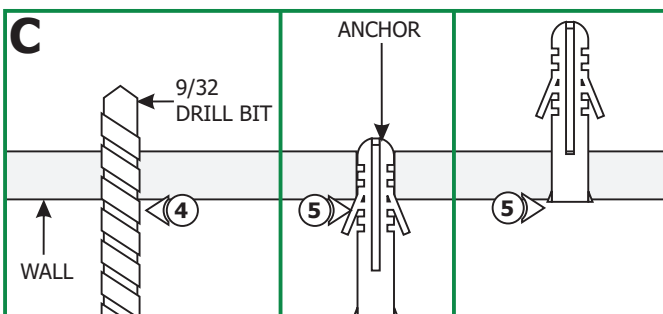
1: Loosen and remove the four M6 screws on the top and bottom of the mounting plate with the 3mm Allen wrench.

2: Pull the mounting plate completely out of the mirror.



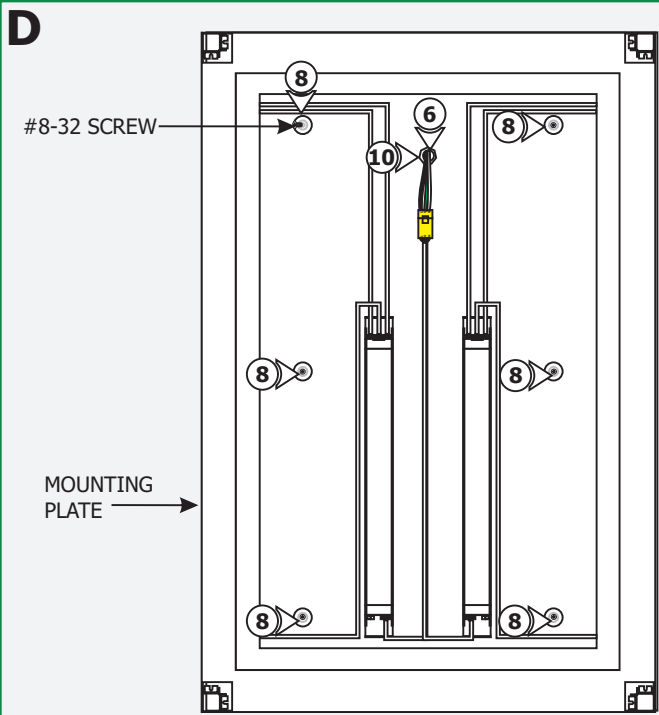
3: Align the mounting plate hole with the power line conduit, or electrical box, and use the mounting plate as a template to mark four mounting holes onto the wall.

NOTE: Make sure that the mounting plate is leveled horizontally.



4: Use a 9/32 drill bit to make holes on all six marked points.

5: Tap the anchors into the drilled holes with a hammer.



6: Install the conduit connector (not provided) to mounting plate hole. Feed the power line through the conduit connector into the mounting plate.

8: Line up the mounting plate holes with the anchors and secure it to the anchors with the six #8-32 screws provided.

9: Make sure that the mounting plate is grounded in accordance with local electrical codes.

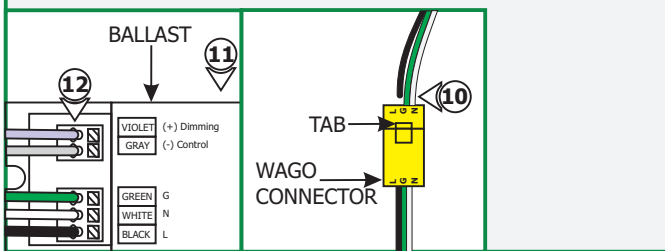
10: Connect the hot, neutral power wires into the wago connector.

NOTE: If necessary, push the tab down and then pull the Wago connector for a quick disconnect.

NOTE: Omit steps 11 & 12 for non-dimming wiring.

11: For dimming, run the violet and gray wires from the dimmer each ballast. The wires must be solid copper (refer to the dimmer instruction for more details).

12: Branch the violet wire to the (+) & the gray wire (-) terminals of each ballast respectively.



CAUTION: To reduce risk of a burn or electrical shock during lamping, disconnect the power to the fixture.

Use **MAX 24** Watt Type T5 HO, Linear Fluorescent Lamp For the top and bottom Socket.

Use **MAX 39** Watt Type T5 HO, Linear Fluorescent Lamp For the right and left Socket.

13: Line up the lamp pins on both sides with the opening on the socket.

14: Insert the lamp pins all the way into the sockets and turn the lamp to lock it in place. Repeat this step for the other lamp.

15: Place the mirror housing onto the mounting plate and secure it in place by tightening the four #8 screw on the top and bottom of the mirror housing into the mounting plate.

NOTE: NEMA fluorescent lamp manufacturers recommend to reduce possible flicker or instability when new dimming systems are commissioned, lamps should be operated at the ballast's maximum light output setting overnight (approximately 12 hours).

