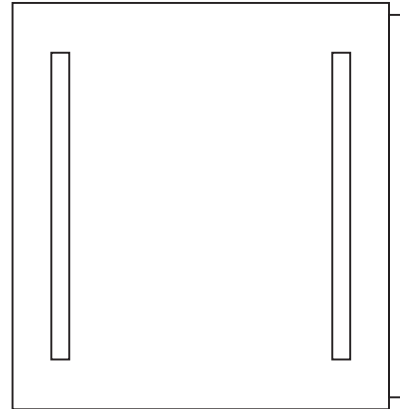


Installation Instructions for Reflection

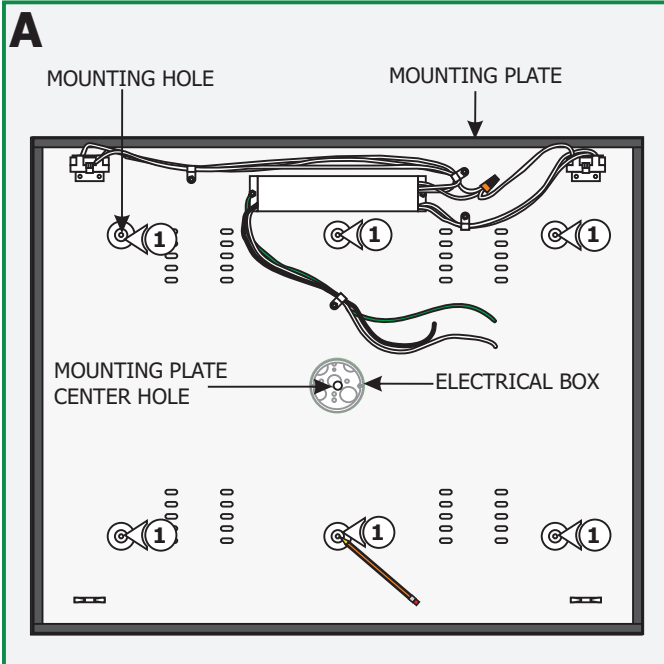
IMPORTANT INFORMATION

- This product is ETL listed for indoor dry locations.
- This product is wall mounted only.
- This product can mount to either a 4" square electrical box with round plaster ring or an octagon electrical box.
- This instruction shows a typical installation
- This product is not dimmable.

SAVE THESE INSTRUCTIONS!



Install the Mounting Plate



NOTE: It is recommended that one person holds the mounting plate while the electrician installs it.

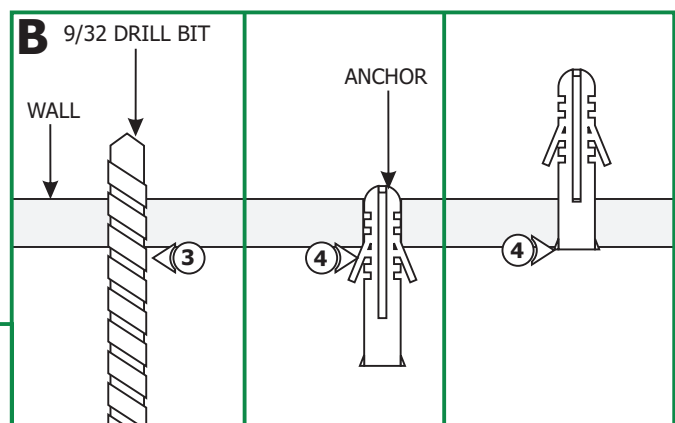
- 1:** Align the mounting plate center hole with the electrical box. Level the mounting plate horizontally and mark the six mounting plate holes onto the wall.

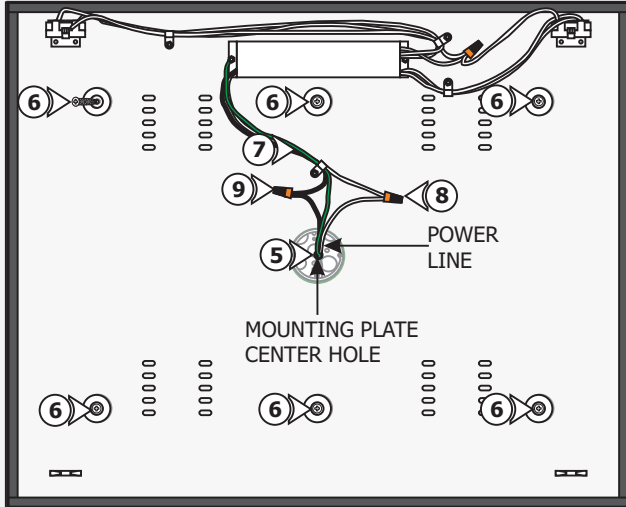
NOTE: Make sure that the mounting plate is leveled horizontally.

- 2:** Remove the mounting plate.

- 3:** Use a 9/32 drill bit to make holes on all six marked points.

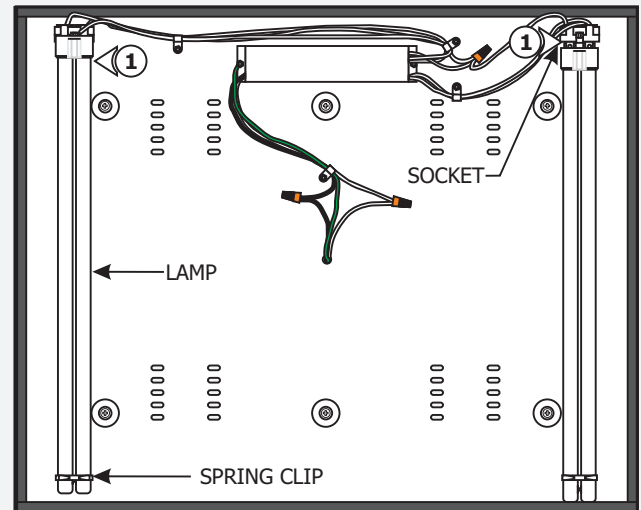
- 4:** Tap the anchors into the drilled holes with a hammer.




C

- 5:** Feed the power wires through the mounting plate center hole.
- 6:** Line up the mounting plate holes with the anchors and secure it to the anchors with the six #8-32 screws provided.
- 7:** Make sure that the mounting plate is grounded in accordance with local electrical codes.
- 8:** Connect the white fixture wire to the neutral power wire with a wire nut.
- 9:** Connect the black fixture wire to the hot power wire with a wire nut.

Install the Lamp & Mirror

D

CAUTION: To reduce risk of a burn or electrical shock during lamping, disconnect the power to the fixture.

Use **MAX 55 Watt** Type 2G11 Base Compact Fluorescent Lamp For Each Socket. 

- 1:** Push the lamp pins completely into the socket holes and secure by snapping into the spring clips. Repeat this step for the remaining sockets.
- 2:** Place the mirror housing into the mounting plate and secure it in place by tightening the two thumb screws on the top and bottom of the mounting plate into the mirror housing.

NOTE: NEMA fluorescent lamp manufacturers recommend to reduce possible flicker or instability when new dimming systems are commissioned, lamps should be operated at the ballast's maximum light output setting overnight (approximately 12 hours).

