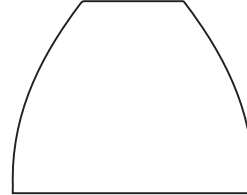


Installation Instructions for **Little Solid Back Shade MR16**

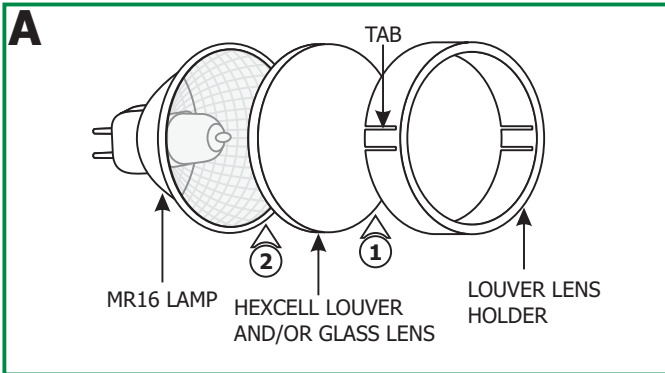
IMPORTANT INFORMATION

- This product is ETL listed for indoor dry locations.

SAVE THESE INSTRUCTIONS!

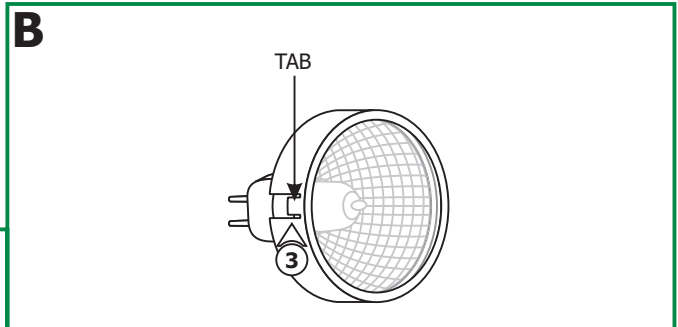


Install the Louver Lens Holder (Optional)



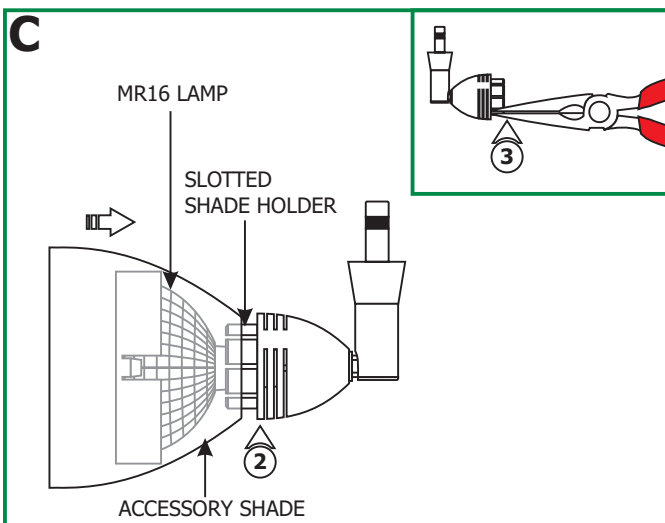
1: Place the Hexcell louver (Optional) or glass lens (Optional) or a combination of a hexcell and glass lens into the louver lens holder.

2: Place the MR16 lamp into the louver lens holder.



3: Press the tabs on sides of the snap lens holder against the MR16 lamp to keep it in the position.

Install the Accessory Shade in Low Rider type Fixtures



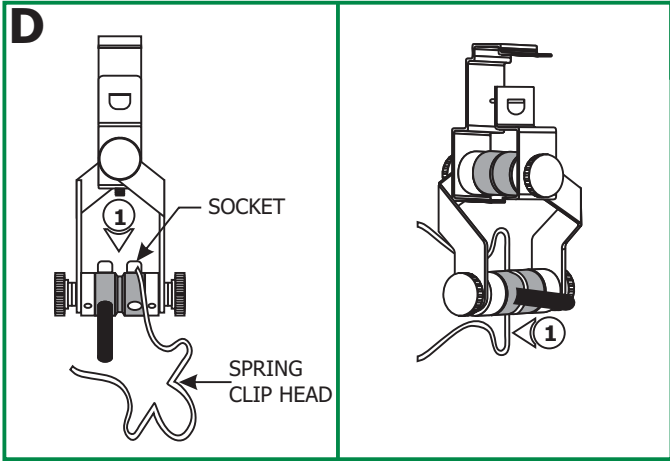
NOTE: Skip these steps if using the shade with Vespa type MR16 sockets, refer to page 2.

1: Place the MR16 lamp into the accessory shade and line up the MR16 lamp pins with the socket holes.

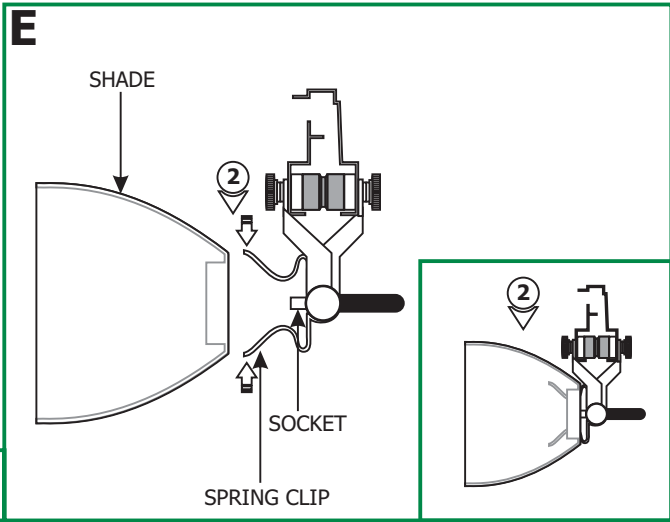
2: Push the lamp pins completely into the socket holes and simultaneously push the accessory shade onto the slotted shade holder.

3: The accessory shade must fit snugly onto the slotted shade holder. If adjustment is necessary, carefully bend the slotted shade holder tabs slightly in or out with needle-nose pliers.

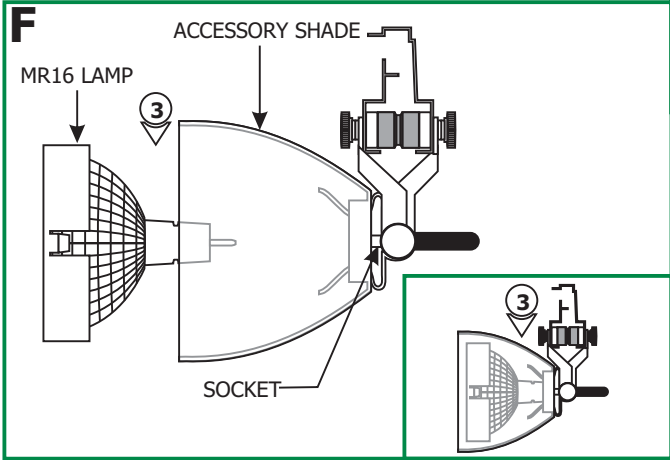
Install the Accessory shade in Vespa type MR16 Sockets



1: Push the spring clip completely onto the center of the socket groove until it snaps into place.



8: Squeeze the spring clip ends while inserting it into the shade.



3: Place the MR16 lamp into the accessory shade and line up the MR16 lamp pins with the socket holes. Push the lamp pins completely into the socket holes.