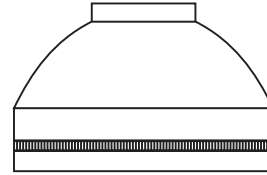


## Installation Instructions for **Solid Back Shade MR16**

### IMPORTANT INFORMATION

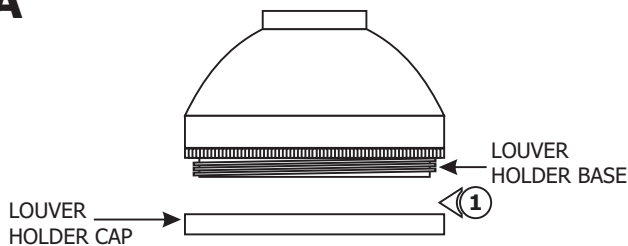
- This product is ETL listed for indoor dry locations.

**SAVE THESE INSTRUCTIONS!**



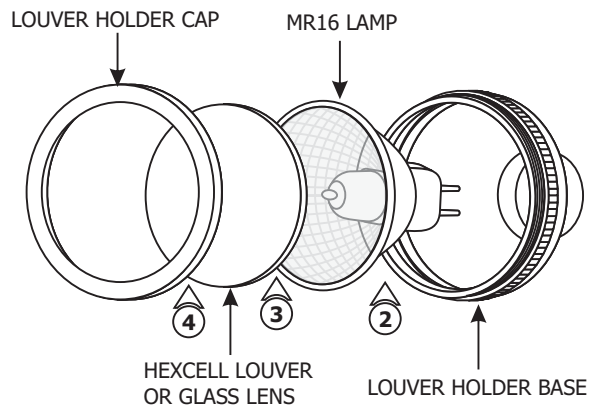
## Install the Accessory Shade in Chopper type Fixtures

**A**



**1:** Unscrew and remove the louver holder cap from the louver holder base.

**B**

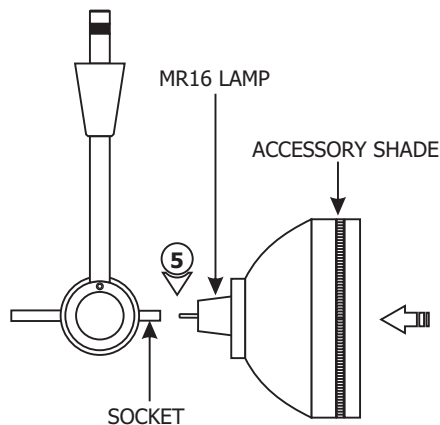


**2:** Place the MR16 lamp into the louver holder base.

**3:** Place a hexcell louver (Optional) or a glass lens (Optional) or a combination of a hexcell louver and a glass lens on the front of MR16 lamp.

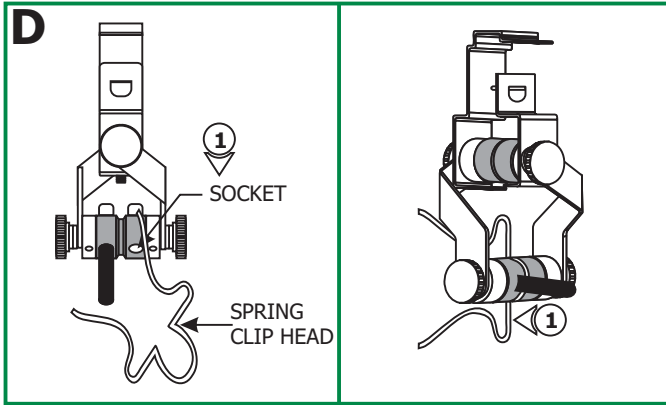
**4:** Replace and tighten the louver holder cap to the louver holder base.

**C**

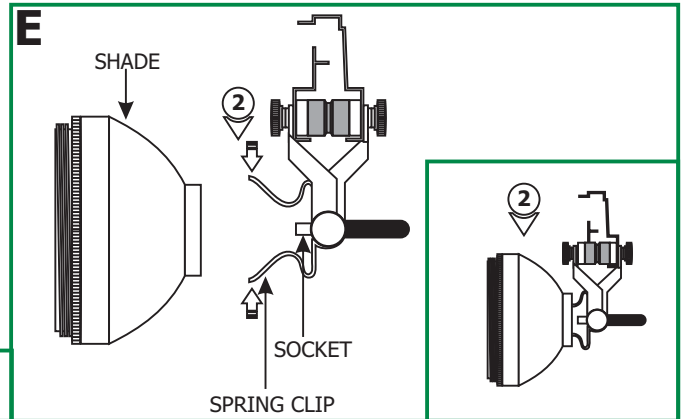


**5:** Push the lamp pins completely into the socket holes.

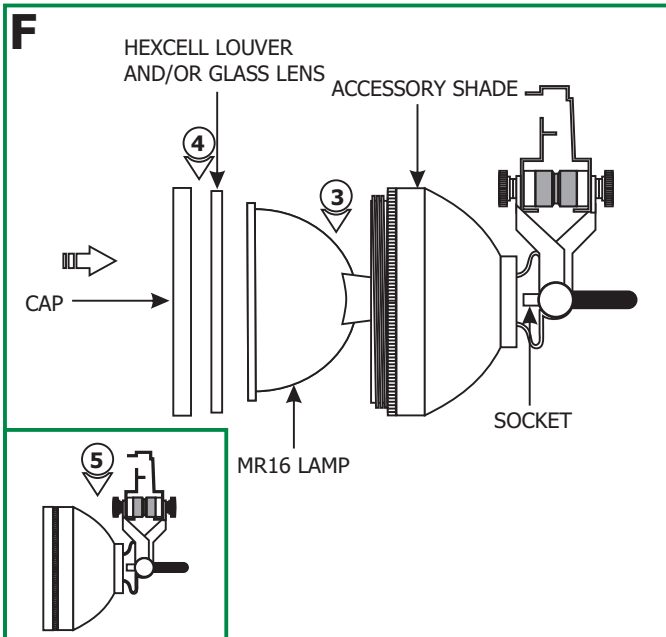
# Install the Accessory shade in Vespa type MR16 Sockets



**1:** Push the spring clip completely onto the center of the socket groove until it snaps into place.



**2:** Squeeze the spring clip ends while inserting it into the shade.



**3:** Push the lamp pins completely into the socket holes.

**4:** Place a hexcell louver (Optional) or a glass lens (Optional) or a combination of a hexcell louver and a glass lens on the front of MR16 lamp.

**5:** Replace and tighten the louver holder cap to the louver holder base.