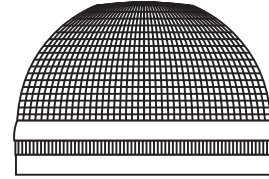


## Installation Instructions for Mesh Back Shade MR16

### IMPORTANT INFORMATION

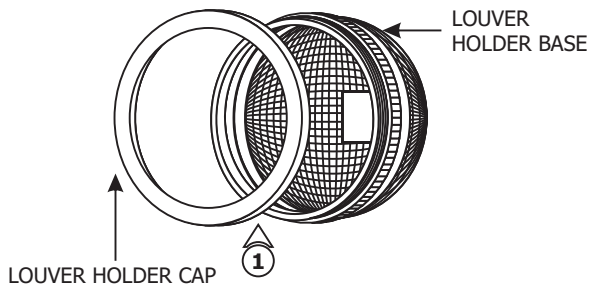
- This product is ETL listed for indoor dry locations.

**SAVE THESE INSTRUCTIONS!**



## Install the Accessory Shade

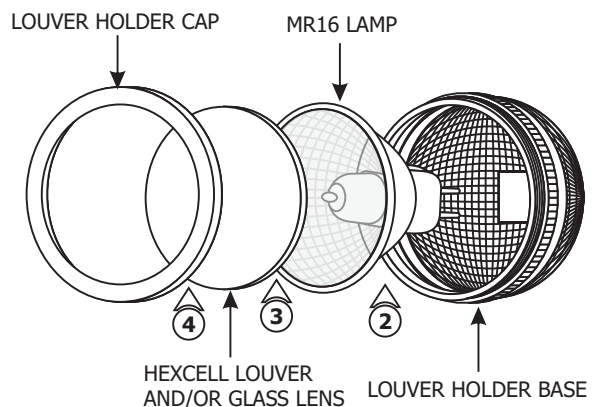
**A**



**1:** Unscrew and remove the louver holder cap from the louver holder base.

- 2:** Place the MR16 lamp into the louver holder base.
- 3:** Place a hexcell louver (optional) or a glass lens (optional) or combination of a hexcell louver and glass lens on front of the MR16 lamp
- 4:** Replace and tighten the louver holder cap to the louver holder base.

**B**



**5:** Push the lamp pins completely into the socket holes.

**C**

