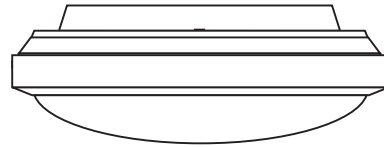


Installation Instructions for **Satin Ceiling 7, 12, 15, & 18**

IMPORTANT SAFETY INSTRUCTIONS

To reduce the risk of fire, electrical shock, exposure to excessive UV radiation, or injury to persons:

- Use this fixture indoors only.
- Do not look directly at the lamp while the fixture is on.
- **RISK OF FIRE:** Use only the type of lamp and maximum wattage indicated in this instruction manual.
- Never cover the halogen lamp with anything other than a lamp shade provided by Edge Lighting and never place flammable material close to the fixture.
- Never turn the fixture on and off by connecting and disconnecting the halogen lamp.
- Do not touch the fixture head, shade or lamp shield while the fixture is on. These surfaces may be **VERY HOT**.
- Do not touch lamp at anytime. Use a soft cloth instead as oil from skin may damage lamp.
- It is normal for a new halogen lamp to produce minor smoke when first turned on.
- Turn power off and allow to cool before replacing lamp.

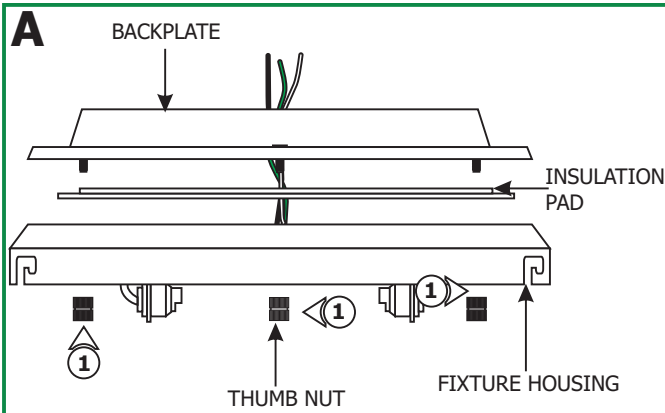


IMPORTANT INFORMATION

- This product is ETL listed for indoor dry locations.
- This product is ceiling mounted only.
- This product can mount to either a 4" square electrical box with round plaster ring or an octagon electrical box.
- This product can be dimmed with a standard incandescent dimmer.

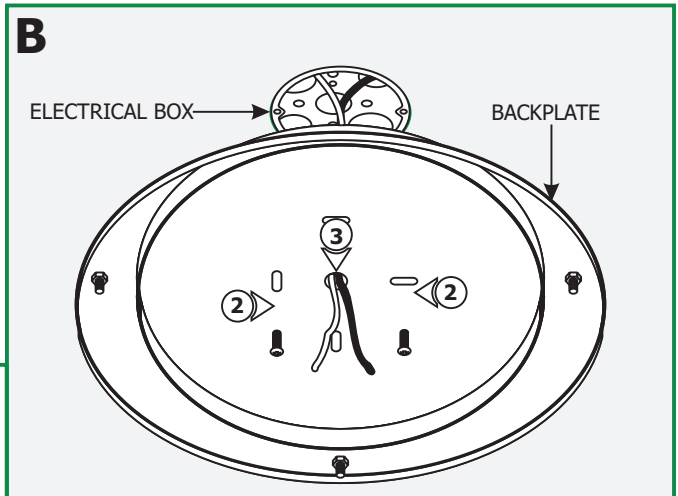
SAVE THESE INSTRUCTIONS!

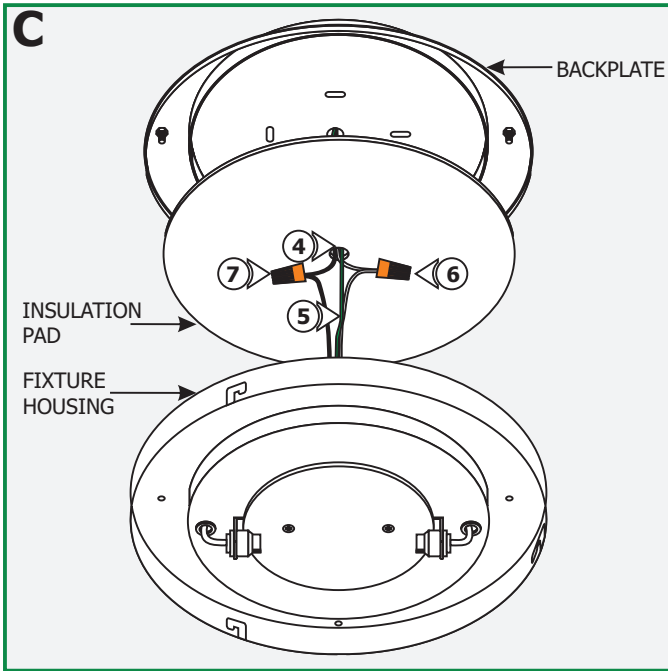
Install the Fixture



- 1:** Remove the three thumb nuts from the threaded studs and detach the backplate from the fixture housing.

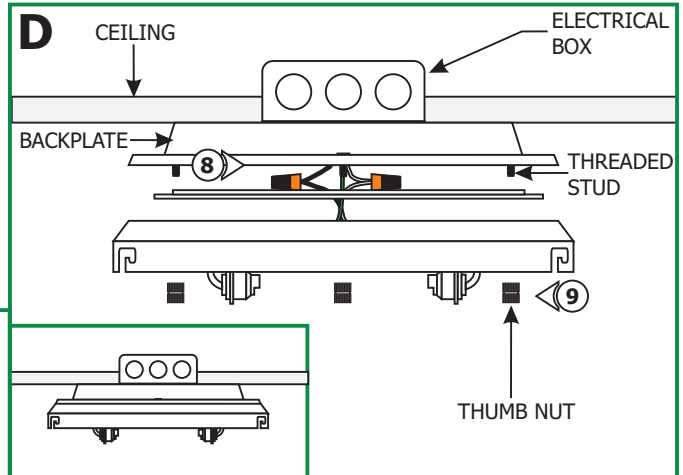
- 2:** Feed the power wires through the backplate center hole.
- 3:** Mount the backplate to the electrical box with the provided #8-32 screws.



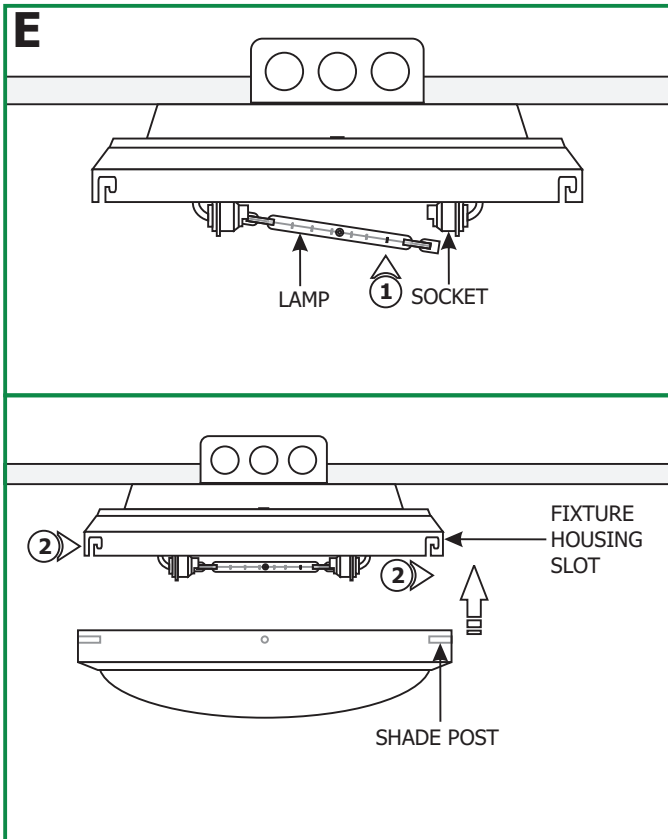


- 4:** Insert the power wires through the insulation pad.
- 5:** Make sure that the fixture is grounded in accordance with local electrical codes.
- 6:** Connect the white fixture wire to the neutral power wire with a wire nut.
- 7:** Connect the black fixture wire to the hot power wire with a wire nut.

- 8:** Place all wire and wires nuts connections inside backplate.
- 9:** Align and push the fixture housing onto threaded studs and tighten the three thumb nuts completely to secure the fixture housing in place.



Install the Lamp & Glass Shade



CAUTION: To reduce risk of a burn or electrical shock during lamping, disconnect the power to the fixture.

NOTE: Use only fingers and a soft cloth to install the lamp.

Use **MAX 75** Watt Type T3-78mm, Double End Halogen Lamp with the Satin Ceiling 7.



Use **MAX 180** Watt Type T4/RSC 118mm, Double End Krypton/Xenon Lamp with the Satin Ceiling 12.



Use **MAX 250** Watt Type T3-118mm, Double End Halogen Lamp with the Satin Ceiling 15.



Use **MAX 300** Watt Type T3-118mm, Double End Halogen Lamp with the Satin Ceiling 18.



- 1:** Place one end of the lamp onto one socket pin, while pushing the lamp against that socket pin slide the other end onto the other socket pin.
- 2:** Insert the three shade posts into the fixture housing slots and turn clockwise to lock into place.