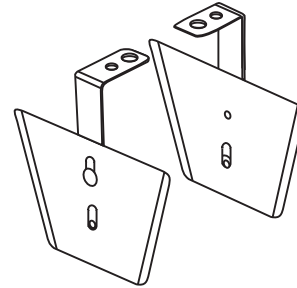


Installation Instructions for Sun 3 & Port Spring Clips

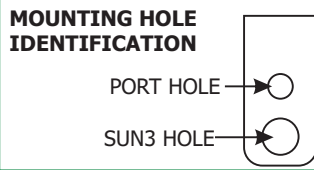
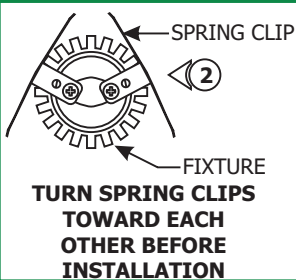
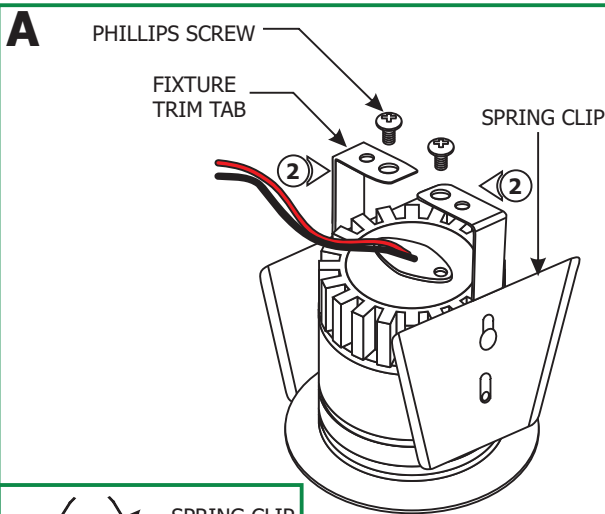
IMPORTANT INFORMATION

- The Spring Clips (SC-WO) are an accessory that are used with Sun3 and Port fixtures. When they are installed in a porch wood surface.

SAVE THESE INSTRUCTIONS!



Install the Spring Clips



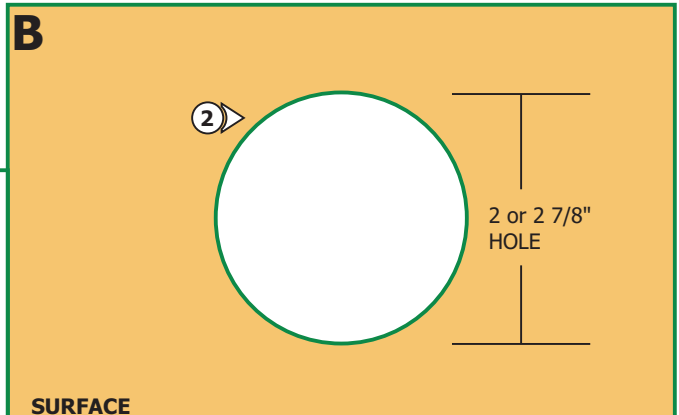
NOTE: For outdoor installation, use UL listed type UF underground cables and outdoor rated wire nuts when no conduit is used to power the fixture(s).

1: Remove the two Phillip screws from the bottom of the fixture trim tab.

NOTE: The inner hole on spring clip is to be used with Port and the outer hole is to be used with Sun3 fixture.

2: For each spring clip, align one of the two holes (refer to diagram for clarification) with the trim tab hole. Replace and tighten the Phillips screw. **Before installing fixture, slightly rotate the spring clips towards each other to make it easier to install (refer to the drawing).**

Installation Preparations



1: Mark a point on the surface where the fixture opening is going to be located.

2: Cut out the marked location with a 2-7/8" circular saw for SUN3 or a 2" circular saw for Port fixture.

NOTE: For detailed wiring information refer to the instructions provided with each fixture.

Wiring Diagram

