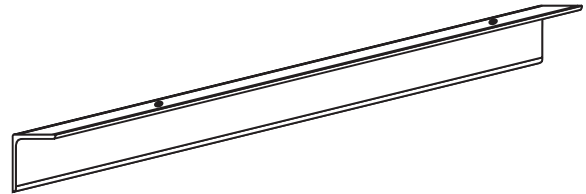


## Installation Instructions for L Shape Reflector

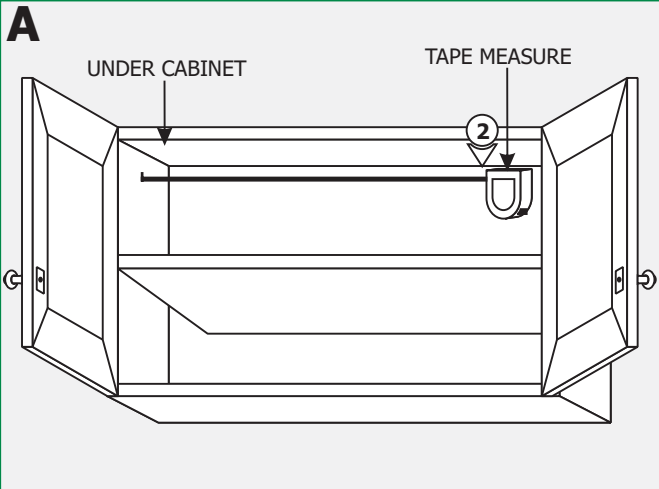
### IMPORTANT INFORMATION

- This instruction shows a typical installation.

**SAVE THESE INSTRUCTIONS!**

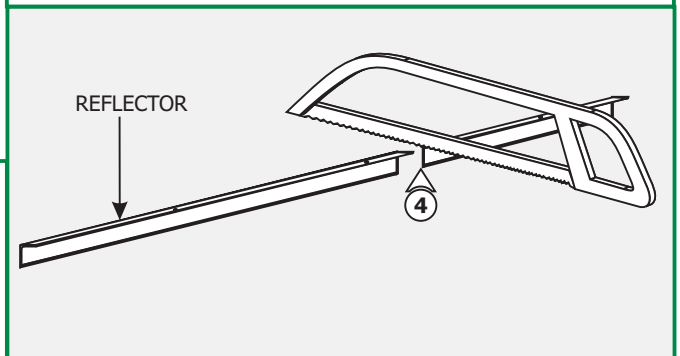
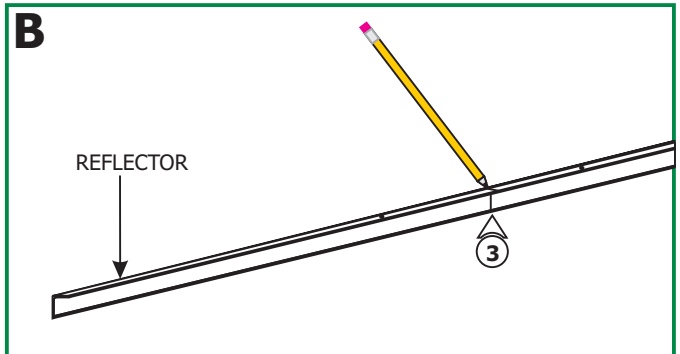


## Install the Reflector



**1:** Determine the location where the reflector will be installed.

**2:** Using a tape measure determine the reflector size.

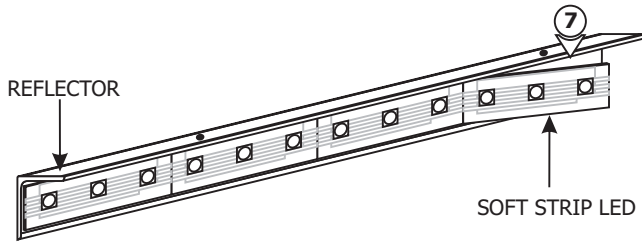


**3:** Mark the size of the reflector.

**4:** Cut the excess reflector with a hacksaw.

**5:** Clean the inside and the outside burrs of the cut sections.

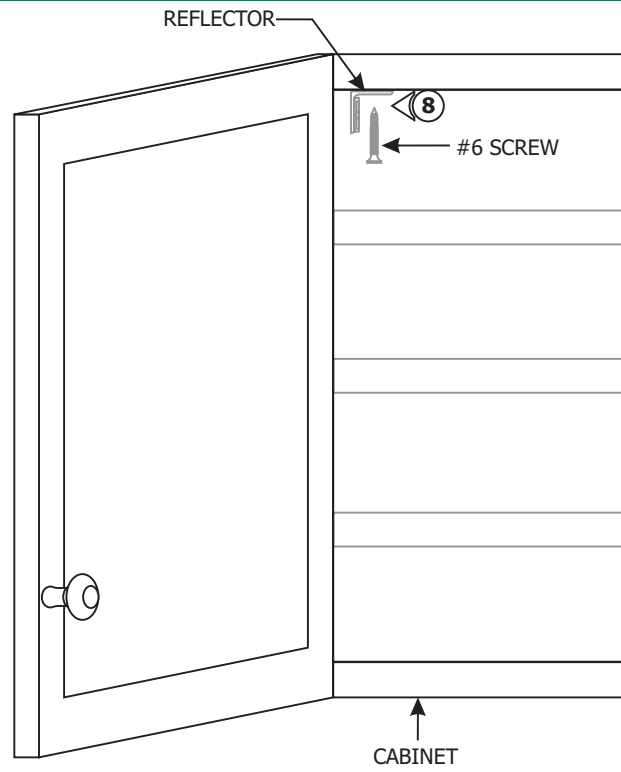
**C**



**NOTE:** Avoid bending the soft strip in sharp horizontal angles which may damage the LEDs. Use the proper power connectors.

- 6:** Clean the area thoroughly on the reflector where the soft strip LED will be installed.
- 7:** Remove the backing from the soft strip LED and firmly press down making sure there are no air bubbles that can cause surface irregularities.

**D**



- 8:** Place the reflector on surface and secure with the provided #6 screws.

**NOTE:** Use the provided anchors if mounting reflector to other surfaces like drywall.