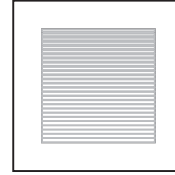


Installation Instructions for Vision 3 Halogen Kit

IMPORTANT SAFETY INSTRUCTIONS

To reduce the risk of fire, electrical shock, exposure to excessive UV radiation, or injury to persons:

- Use this fixture indoors only.
- Do not look directly at the lamp while the fixture is on.
- **RISK OF FIRE:** Use only the type of lamp and maximum wattage indicated in this instruction manual.
- Never cover the halogen lamp with anything other than a lamp shield provided by Edge Lighting and never place flammable material close to the fixture.
- Never turn the fixture on and off by connecting and disconnecting the halogen lamp.
- Do not touch the fixture head, shade or lamp shield while the fixture is on. These surfaces may be **VERY HOT**.
- Do not touch lamp at anytime. Use a soft cloth instead as oil from skin may damage lamp.
- It is normal for a new halogen lamp to produce minor smoke when first turned on.
- Turn power off and allow to cool before replacing lamp.

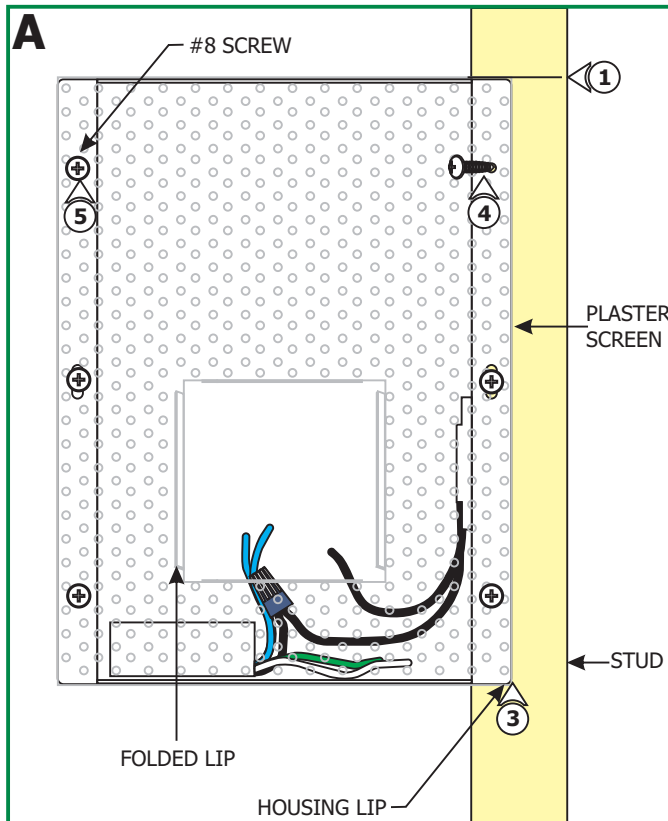


IMPORTANT INFORMATION

- This product is ETL listed for indoor dry locations.
- This product is wall mounted only.
- This product can be dimmed with an electronic low voltage dimmer.

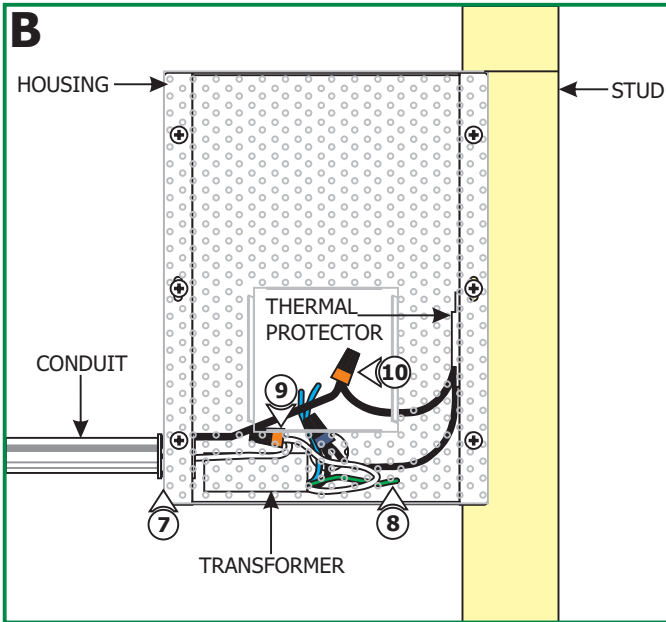
SAVE THESE INSTRUCTIONS!

Install the Vision Housing



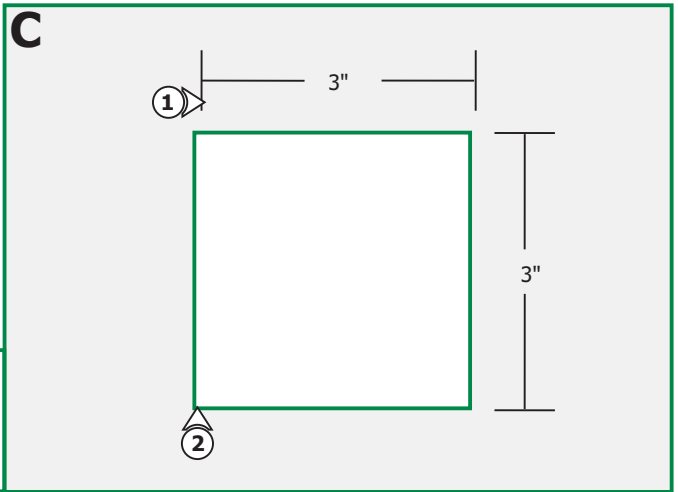
NOTE: One of the housing lips needs to be installed to the nearest stud of the desired location.

- 1:** Mark the location on the stud where the housing will be mounted.
- 2:** Place the plaster screen in front of the housing so that the folded lips face outside.
- 3:** Line up the screw holes on the plaster screen with the screw holes of the housing and place one housing lip against the marked stud.
- 4:** Secure the housing along with the plaster screen to the stud with the provided three #8 screws.
- 5:** Use the other three #8 screws to secure the plaster screen to the housing.

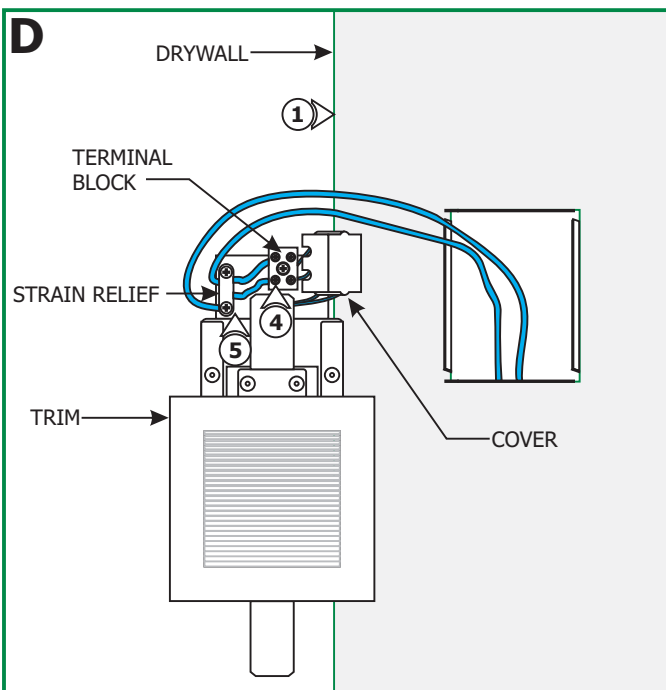


- 6:** Remove a knock out to install the power line conduit.
- 7:** Install the conduit and run the power line wires to the housing.
- 8:** Make sure that the housing is grounded in accordance with local electrical codes.
- 9:** Connect the white transformer wire to the neutral power line wire with a wire nut.
- 10:** Connect the black thermal protector wire to the hot power line wire with a wire nut.
- 11:** The black transformer wire is connected by default to the other wire of the thermal protector.

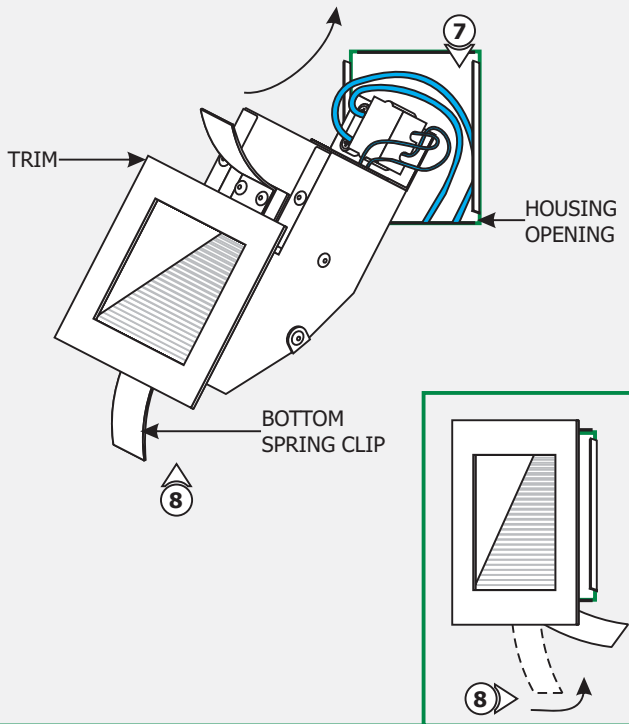
Install Drywall, Trim & Lamp



- 1:** Mark 3" square(s) on drywall where the housing opening is (are) located.
- 2:** Cut out the marked square(s) and install the drywall.

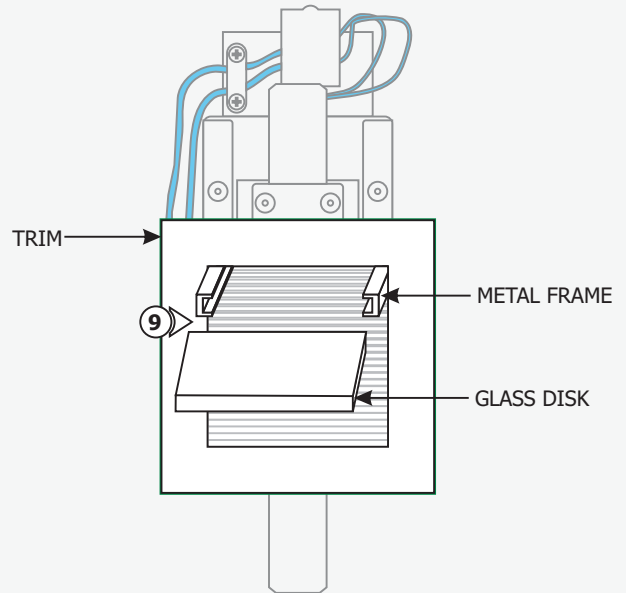


- 3:** After installing drywall and finishing it, remove the cover on the terminal block to expose the screws.
- 4:** Loosen the two left Phillips screws on the terminal block and the two on the strain relief (Do Not Remove).
- 5:** Insert blue transformer wire through the strain relief and one into each terminal block hole. Tighten the Phillips screws on the terminal block and strain relief.
- 6:** Replace the terminal block cover.

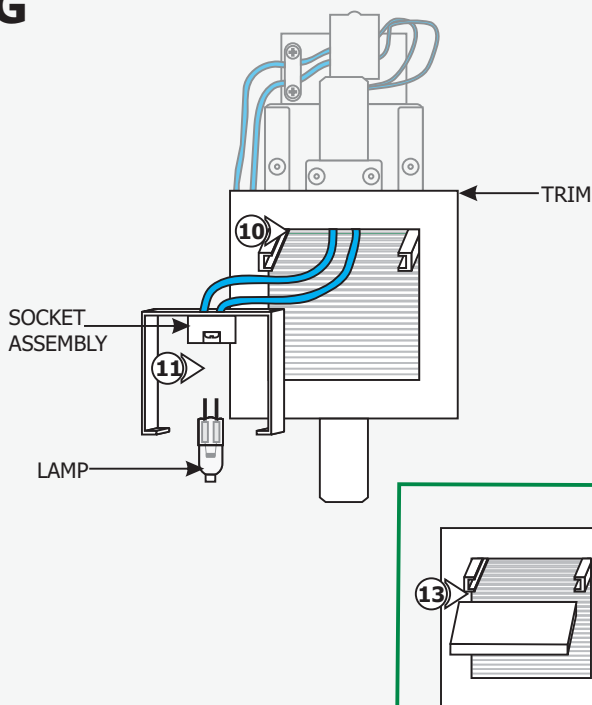
E

7: Place all wires inside the housing and insert the top spring clip into the housing.

8: Bend the bottom spring clip of the trim towards the housing while pushing it into the housing.

F

9: From the inside of the trim, push the back end of the glass disk upwards until the front end of glass disk slides out of the metal frame.

G

CAUTION: To reduce risk of a burn or electrical shock during lamping, disconnect the power to the fixture.

NOTE: Use only fingers and a soft cloth to install the lamps.

Use **MAX 20** Watt Bi-Pin Halogen Lamp.



10: Carefully pull the socket assembly out.

11: Push the lamp pins completely into the socket assembly holes.

12: Replace the socket assembly completely into the trim housing.

13: Slide the glass disk half way into the metal frame opening and rotate the front up while inserting the remaining portion in.