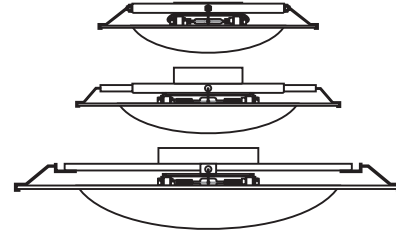


Installation Instructions for Vanilla Sky Square 14, 18, & 24

IMPORTANT SAFETY INSTRUCTIONS

To reduce the risk of fire, electrical shock, exposure to excessive UV radiation, or injury to persons:

- Use this fixture indoors only.
- Do not look directly at the lamp while the fixture is on.
- **RISK OF FIRE:** Use only the type of lamp and maximum wattage indicated in this instruction manual.
- Never cover the halogen lamp with anything other than a lamp shield provided by Edge Lighting and never place flammable material close to the fixture.
- Never turn the fixture on and off by connecting and disconnecting the halogen lamp.
- Do not touch the fixture head, shade or lamp shield while the fixture is on. These surfaces may be **VERY HOT**.
- Do not touch lamp at anytime. Use a soft cloth instead as oil from skin may damage lamp.
- It is normal for a new halogen lamp to produce minor smoke when first turned on.
- Turn power off and allow to cool before replacing lamp.

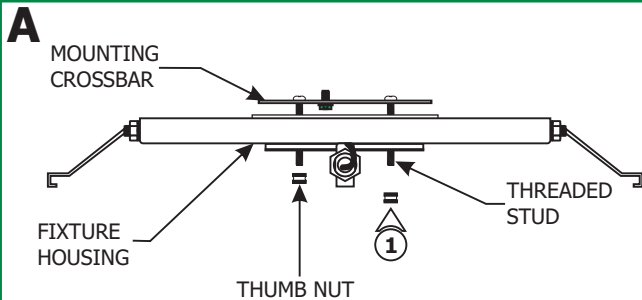


IMPORTANT INFORMATION

- This product is ETL listed for indoor dry locations.
- This product is ceiling mounted only.
- This product can mount to either a 4" square electrical box with round plaster ring or an octagon electrical box.
- This product can be dimmed with a standard incandescent dimmer.

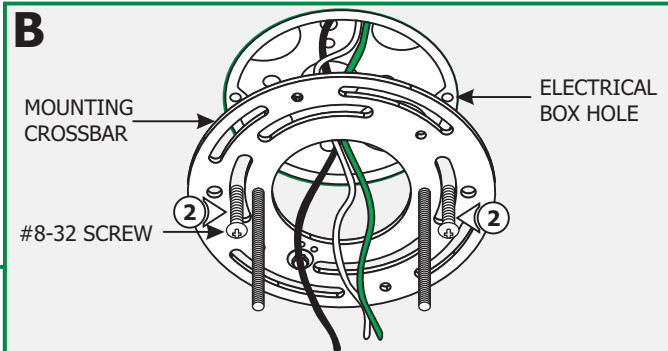
SAVE THESE INSTRUCTIONS!

Install the Fixture

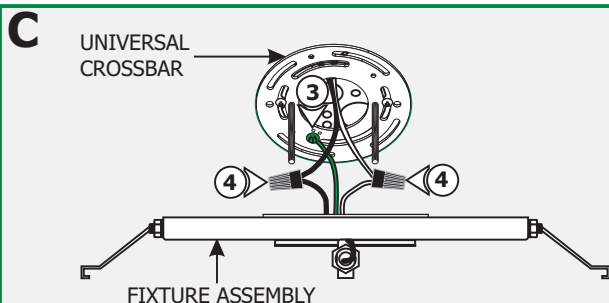


NOTE: To avoid insulation exposure use the provided plastic gloves.

- 1:** Remove the two thumb nuts from the threaded studs and detach the mounting crossbar from the fixture housing.

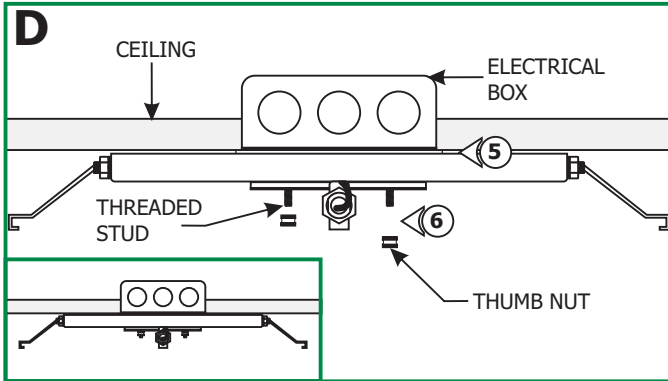


- 2:** Mount the universal crossbar to the electrical box holes with the two provided #8-32 screws



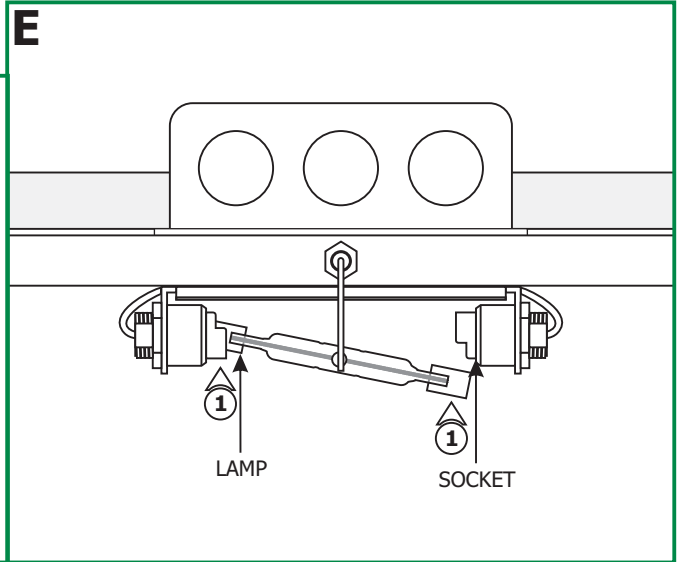
- 3:** Connect the fixture green wire to the mounting crossbar ground screw. Make sure that the mounting crossbar is grounded in accordance with local electrical codes.

- 4:** Connect each fixture wire to one power wire with a wire nut.



- 5:** Place all wire and wire nuts connections inside electrical box.
- 6:** Align and push the canopy holes onto threaded studs and tighten the thumb nuts completely to secure the canopy in place.

Install the Lamp & Glass Shade



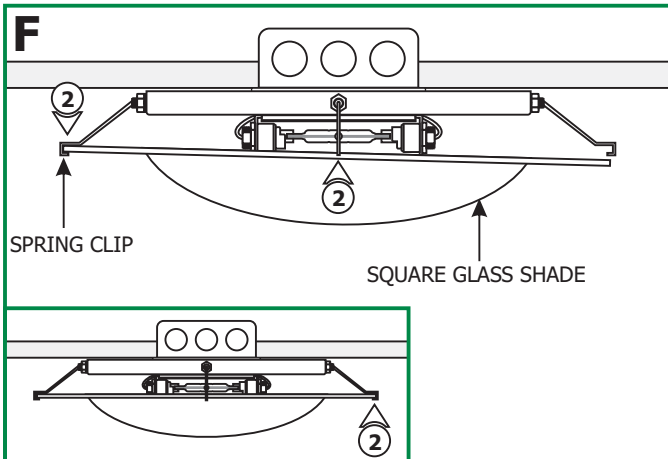
CAUTION: To reduce risk of a burn or electrical shock during lamping, disconnect the power to the fixture.

NOTE: Use only fingers and a soft cloth to install the lamp.

Use **MAX 180** Watt Type T4/RSC 118mm, Double End Krypton/Xenon Lamp with the Vanilla Sky Square 18 and 24.

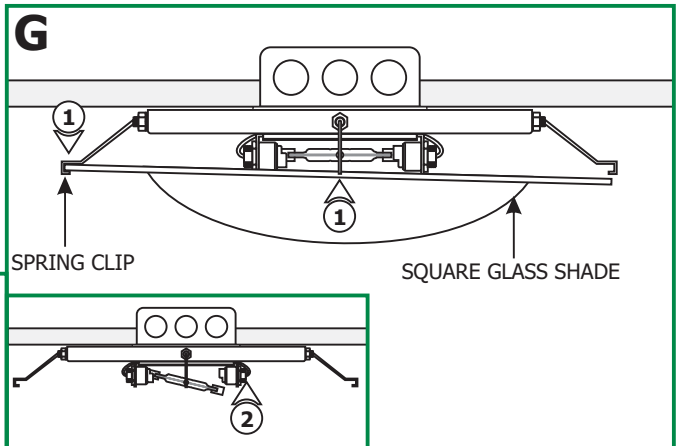
Use **MAX 100** Watt Type T3-78mm, Double End Halogen Lamp with the Vanilla Sky Square 14.

- 1:** Place one end of the lamp onto one socket pin, while pushing the lamp against that socket pin slide the other end onto the other socket pin.



- 2:** Place the two adjacent edges of the square glass shade into two adjacent spring clips. Slightly push the glass shade against these two spring clips and simultaneously slide the other two edges into the other two spring clips. **Make sure all four edges of the glass shade sit properly into four spring clips.**

Replace the Lamp



- 1:** While holding the glass shade unhook one spring clip at a time until the glass shade is free.
- 2:** Remove the old lamp and then follow "Install the Lamp & Glass Shade" steps to complete lamp replacement.