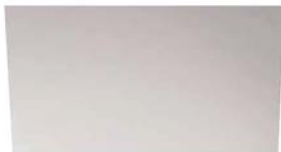


Aurora MR16 Accent Square Edge 3.3 aperture

AH2-ASE3

Protected by Patent Number 7,476,008.

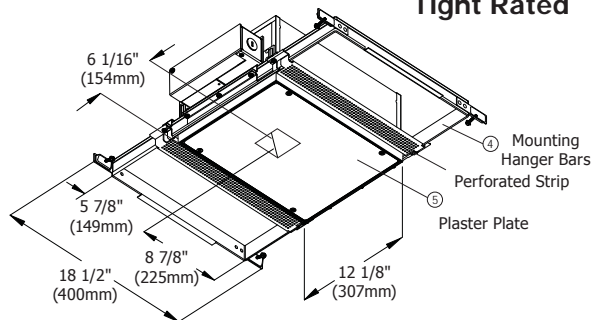
Adjustable Accent MR16-71W, 3.3" Aperture



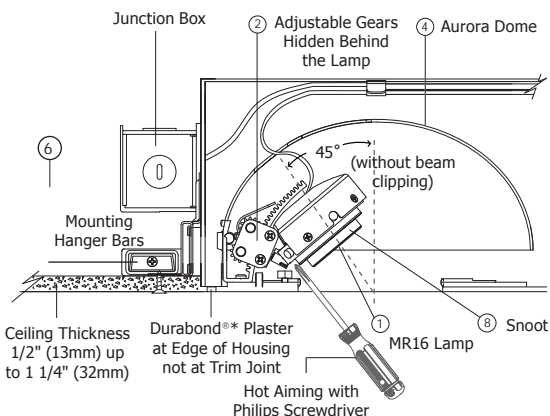
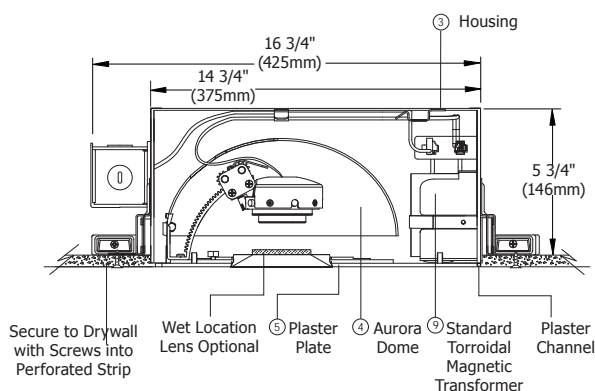
3.3 aperture
Truly Trimless

All Housings
IC and Air
Tight Rated

Description: Specification grade, recessed, adjustable accent fixture for plaster or drywall construction. The flush mounted rigid plaster plate, which is finished into the ceiling, maintains a flat finish and defines the Truly Trimless Pure edge (knife edge) 3.3" (84mm) aperture. Combined with the Aurora dome and the tilt gear hidden behind the lamp creates a clean internal look.



- Lamp:** MR16 12V 71W max for magnetic/50W max for electronic.
- Adjustability:** Hot aiming with Philips screwdriver offers 0 to 45 degrees vertical adjustment and 362 degree horizontal rotation without beam clipping (see lamp chart). Precision machined gear adjustment is concealed behind the lamp. Features self locking tilt and manual locking horizontal rotation.
- Housing:** AH2 IC and air-tight construction, .040" (1mm) thick die formed aluminum. Suitable for remodel and new construction.
- Dome:** Spun aluminum, anodized to a soft haze finish. Hides electrical hardware and tilts for easy access to junction box and transformer.
- Plaster Plate:** 14 3/4" (375mm) x 12 1/8" (307mm) x 1/8" (3mm) aluminum plaster plate, primed and mounted flush with ceiling. Apply Durabond®* ceiling compound at the perimeter of the housing. This prevents chipping and cracking at the trim aperture, which is common with other trimless fixtures.
- Mounting:** Self leveling u-shape telescoping hanger bars extend to allow mounting between studs 13 1/4" - 24" (336-609mm) O.C. Mounting is suitable for new and remodel commercial or residential drywall construction. Designed to accommodate ceiling thickness from 1/2" (13mm) to 1 1/4" (32mm). Notch and label marking for laser alignment.
- Truly Trimless:** No trim to remove, just a clean knife edge. Aperture is integral to the plaster plate, which is stamped flush with the ceiling.
- Snoot/Back Light Shield:** Machined aluminum snoot and die formed aluminum back shield controls internal spill light. The snoot carries the lamp, a soft focus lens (included) and two optional accessories. Relamp by pulling up snoot, which is secured by 5 bullet catches.
- Electrical:** Standard toroidal magnetic transformer rated for 75W load at 120V 60Hz includes integral thermal protection and potting for noise reduction. Secondary output voltage is 11.8 volts. (Electronic USA & international versions: 50W max 120V, 230V, 277V). High temperature socket features pure nickel contacts. Total power consumed with load and transformer loss 78 watts 120 volts. Spring clip allows transformer to be easily removed.



Dimmer Type: Dimmer must be compatible with magnetic low-voltage transformers except for electronic USA & international voltage versions.
Label: UL, C-UL and CE listed for damp location.
Weight: 23.5lbs (10.65kg)
Accessories: Lenses and individual components (see accessories page).

AURORA ORDERING CODE FOR COMPLETE FIXTURE:

120V Standard Magnetic 71W Max:

Electronic USA & International Versions 50W Max:

Collection	Function
IC Housing	Truly Trimless Plaster Plate
AH2 - ASE3	
Aurora	Accent
Halogen	Square Edge
2 - MR16	3.3" Aperture

Collection IC	Function
Housing - Voltage	Truly Trimless Plaster Plate
AH2 - ASE3	
Aurora	1 - 120V 60HZ
Halogen	2 - 230V 50HZ
2 - MR16	3 - 277V 60HZ
	Accent
	Square Edge
	3.3" Aperture

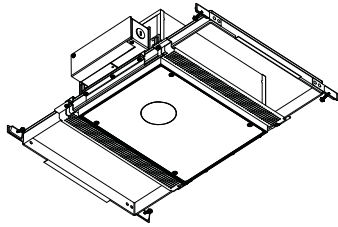
COMPANY		FIXTURE TYPE		DATE	
PROJECT		APPROVED BY			

Product specification subject to change without notification. REV. 8.28.12

*Durabond® brand is a trademark of USG Corporation.

A Division of PureEdge Lighting 1718 W. Fullerton Chicago, IL 60614 • Ph: 773.770.1196 • Fax: 773.883.6128 • www.purelighting.com

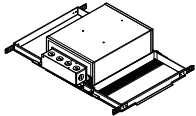




AH2-ASE3
(Complete Fixture)

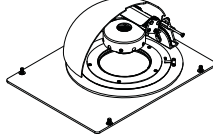
INDIVIDUAL COMPONENTS

120V Standard Magnetic IC Housing Part # AH2 - 120V 60Hz	Electronic USA & International IC Housing Part # AH2-1 - 120V 60Hz AH2-2 - 230V 50Hz AH2-3 - 277V 60Hz
---	---



Aurora Halogen Housing Only

Plaster Plate Part #**ASE3**



Accent Square Edge
Plaster Plate Only

Trim Part #

No Trim Truly Trimless

2" Lens Accessories

PART #	COLORS
--------	--------



- Dichroic Lenses**
- L16-RD RED
 - L16-AM AMBER
 - L16-YL YELLOW
 - L16-GR GREEN
 - L16-BL BLUE
 - L16-PH PEACH
 - L16-MG MAGENTA
 - L16-CY CYAN
 - L16-DB DARK BLUE
 - L16-DP DARK PINK



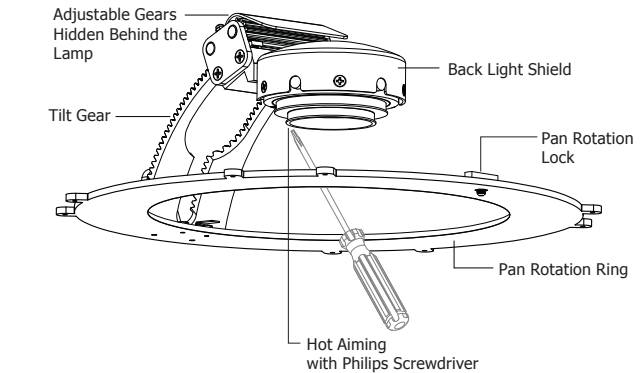
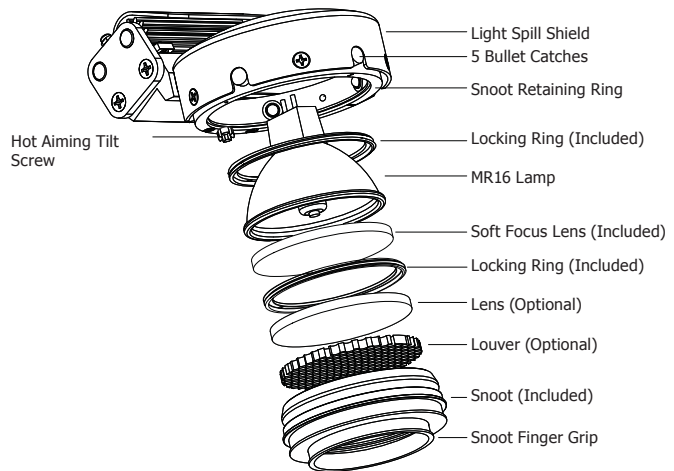
- Optical Lenses**
- L16-F FROST
 - L16-SF SOFT FOCUS
 - L16-MD MEDIUM DIFFUSER
 - L16-WD WIDE DIFFUSER
 - L16-WDF WIDE DIFFUSER FROSTED
 - L16-LS LINEAR SPREAD
 - L16-LSF LINEAR SPREAD FROSTED



- Hexcell Louver**
- L016-H HEXCELL LOUVER



- U.V. Filter**
- L16-UV U.V. FILTER



COMPANY		FIXTURE TYPE		DATE	
PROJECT		APPROVED BY			

Product specification subject to change without notification. REV. 8.28.12

A Division of PureEdge Lighting 1718 W. Fullerton Chicago, IL 60614 • Ph: 773.770.1196 • Fax: 773.883.6128 • www.purelighting.com

