



**Description:** CDP is a stand alone DMX lighting controller for Pure Lighting RGB systems. Easy to install, the wall-mounted assembly is ideal for applications that desire a variety of effects with an easy to use interface. Multiple lighting effects can be accessed and modified with the simple-to-use rotary/push dial (no programming required). Select from a solid color or animated rainbow modes. Push the dial to turn lights on or off. Rotate the dial to adjust brightness. CDP comes ready to mount into a standard U.S. multi gang wall box. A 24VDC power supply (included) fits discreetly inside the junction box behind the controller. It is designed for power and data connections to be hardwired directly to the back of controller. Switches are provided to disable/enable effects during installation.

**Applications:** Indoor

**Power Supply:** 24VDC at 100mA (included)

**Output Signal:** USITT DMX512A

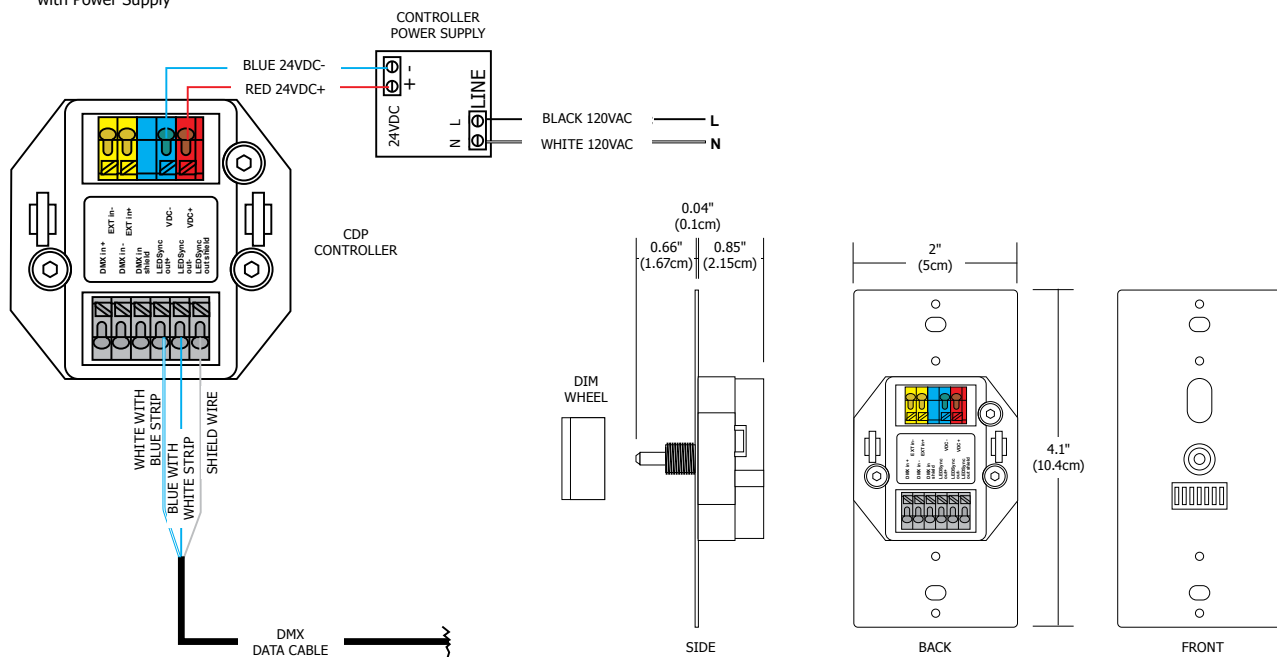
**Operating Modes:** Color Selection; Dimming; Animated Rainbow with Speed Adjustment

## CONTROLLER DIAL WITH POWER SUPPLY

Product

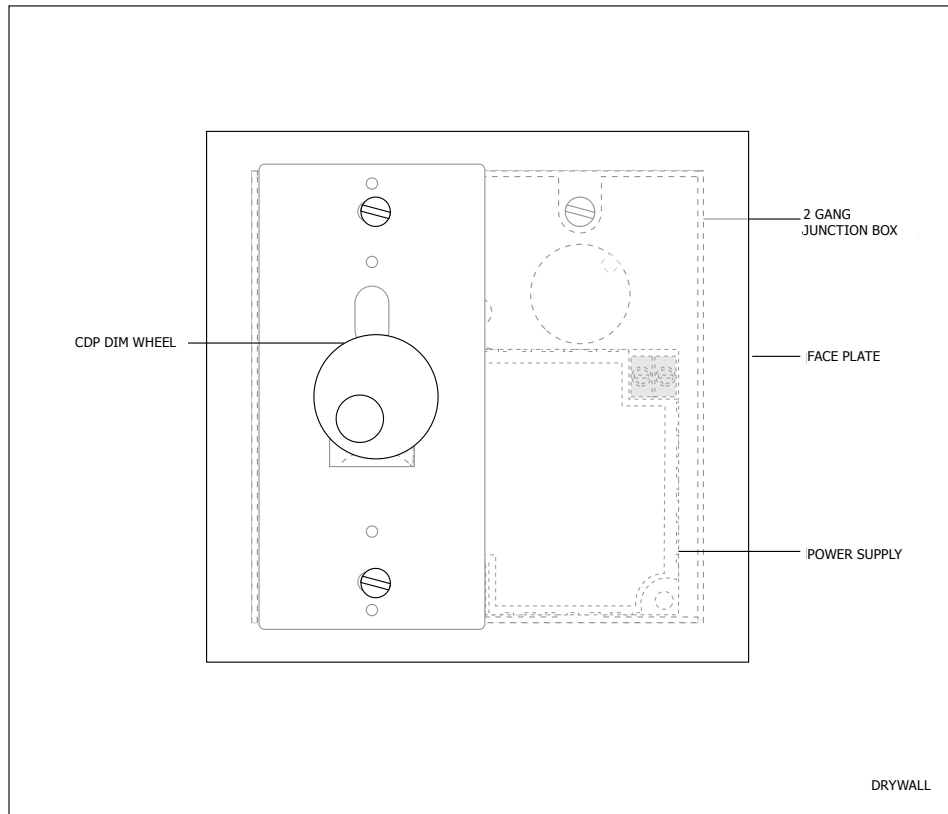
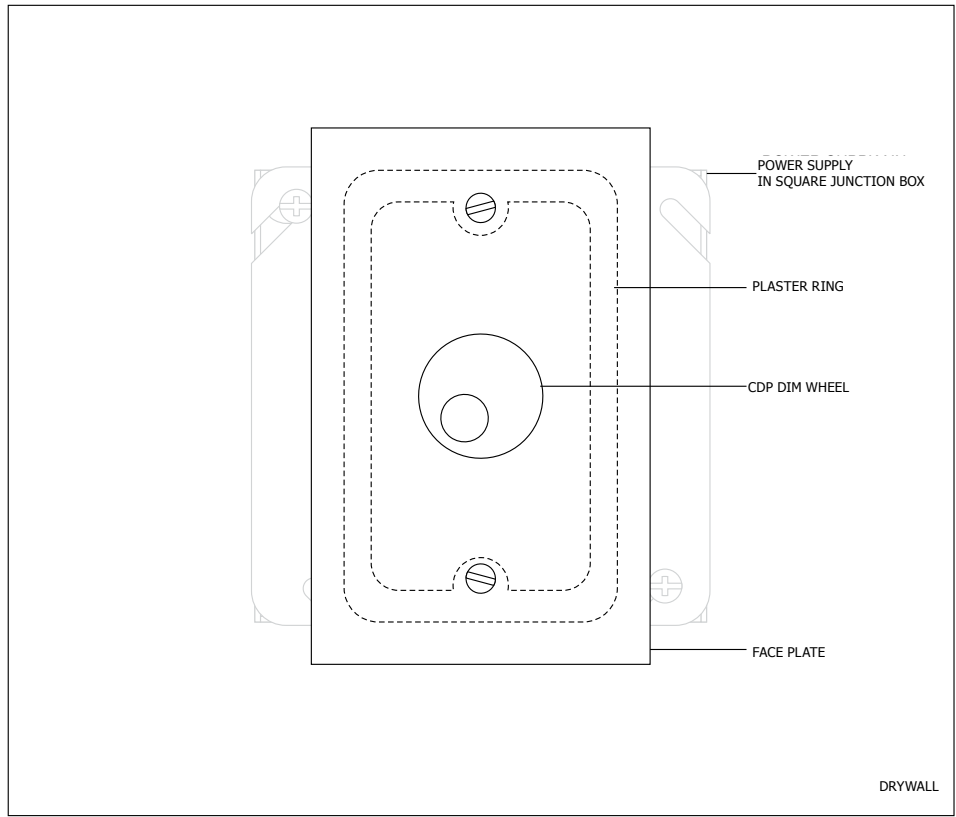
**CDP**

**CDP** Controller Dial with Power Supply



COMPANY		FIXTURE TYPE		DATE	
PROJECT		APPROVED BY			

Product specification subject to change without notification. REV. 08.21.14



A Division of PureEdge Lighting 1718 W. Fullerton Chicago, IL 60614 • Ph: 773.770.1196 • Fax: 773.883.6128 • www.purelighting.com



COMPANY		FIXTURE TYPE		DATE	
PROJECT		APPROVED BY			