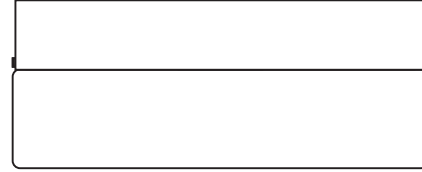


## Installation Instructions for Mint Square 7, & 9

### IMPORTANT SAFETY INSTRUCTIONS

To reduce the risk of fire, electrical shock, exposure to excessive UV radiation, or injury to persons:

- Use this fixture indoors only.
- Do not look directly at the lamp while the fixture is on.
- **RISK OF FIRE:** Use only the type of lamp and maximum wattage indicated in this instruction manual.
- Never cover the halogen lamp with anything other than a lamp shade provided by Edge Lighting and never place flammable material close to the fixture.
- Never turn the fixture on and off by connecting and disconnecting the halogen lamp.
- Do not touch the fixture head, shade or lamp shield while the fixture is on. These surfaces may be **VERY HOT**.
- Do not touch lamp at anytime. Use a soft cloth instead as oil from skin may damage lamp.
- It is normal for a new halogen lamp to produce minor smoke when first turned on.
- Turn power off and allow to cool before replacing lamp.



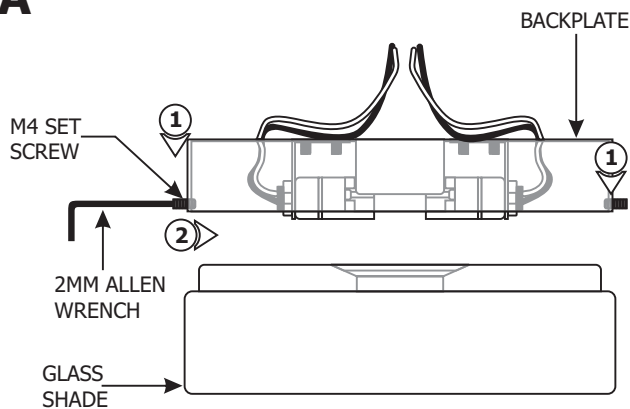
### IMPORTANT INFORMATION

- This product is ETL listed for indoor dry locations.
- This product is ceiling mounted only.
- This product can mount to either a 4" square electrical box with round plaster ring or an octagon electrical box.
- This product can be dimmed with a standard incandescent dimmer.

**SAVE THESE INSTRUCTIONS!**

## Install the Fixture

**A**



**1:** Loosen the two M4 set screws (**DO NOT REMOVE**) on the backplate with the 2MM Allen wrench provided.

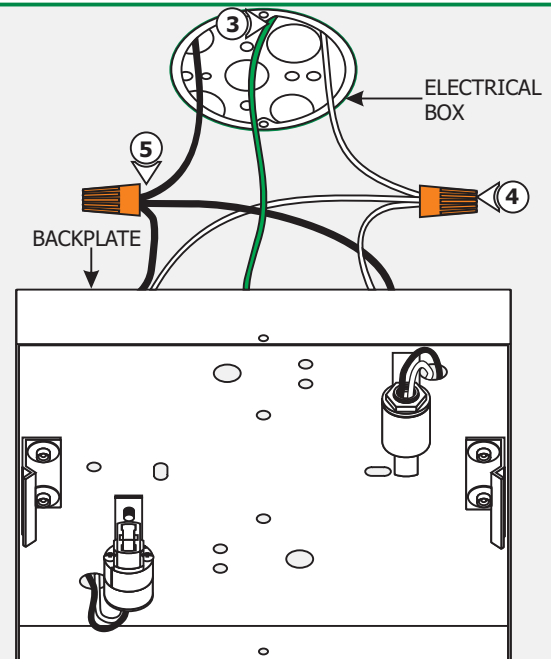
**2:** Carefully pull the glass shade out.

**3:** Make sure that the fixture is grounded in accordance with local electrical codes.

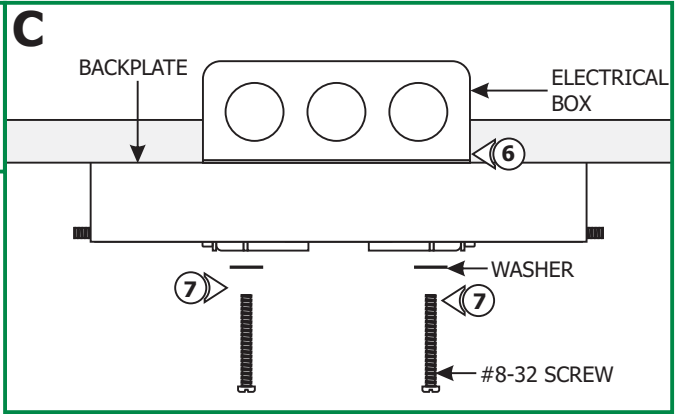
**4:** Connect the two white fixture wires to the neutral power wire with a wire nut.

**5:** Connect the two black fixture wires to the hot power wire with a wire nut.

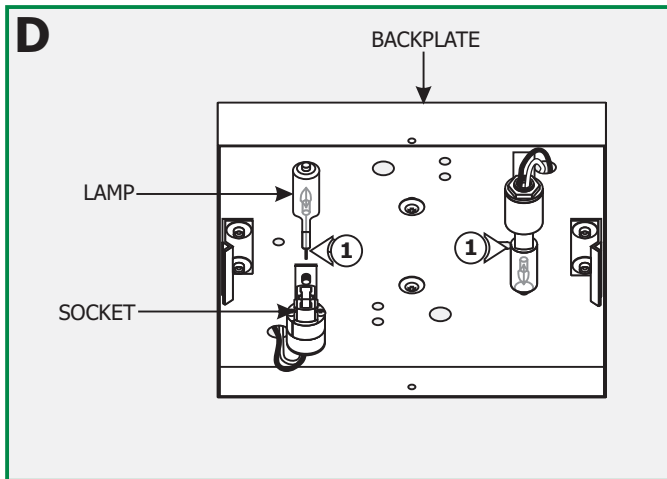
**B**



- 6:** Place all wires and wire nut connections inside the electrical box.
- 7:** Mount the backplate to the electrical box holes with the two #8-32 screws and washers provided.



## Install the Lamp & Glass Shade



**CAUTION:** To reduce risk of a burn or electrical shock during lamping, disconnect the power to the fixture.

**NOTE:** The G9 lamp has an internal glass envelope and is safe to be used without a lamp shield.

**NOTE:** Use only fingers and a soft cloth to install the lamp.

Use **MAX 40** Watt Type T4, G9 Base, Bi-Pin Halogen Lamp For Each Socket.



**1:** Push the lamps completely into the sockets.

- 2:** Push the glass shade completely into the mounting base until it snaps properly into the springs.
- 3:** Tighten the two M4 set screws on sides of the backplate with the 2mm Allen wrench.

