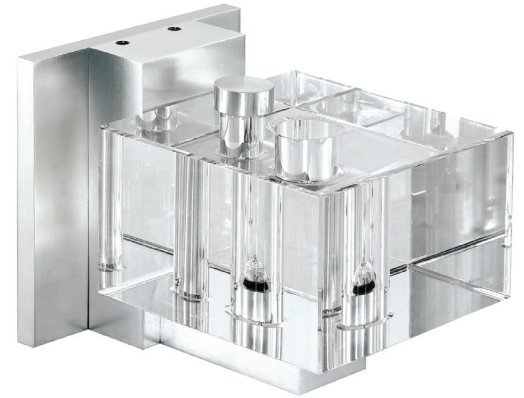


# SQUARE CRYSTAL



**Description:** Square Crystal wall sconce features a crystal diffuser and is constructed of solid satin aluminum alloy. 50 watt 12 volt Ministar® halogen lamp and 60 watt electronic transformer included. The Ministar® integrated reflector improves efficiency by focusing the light upward. General light distribution.



**Diffuser:** Crystal

**Body Finish:** Satin Aluminum

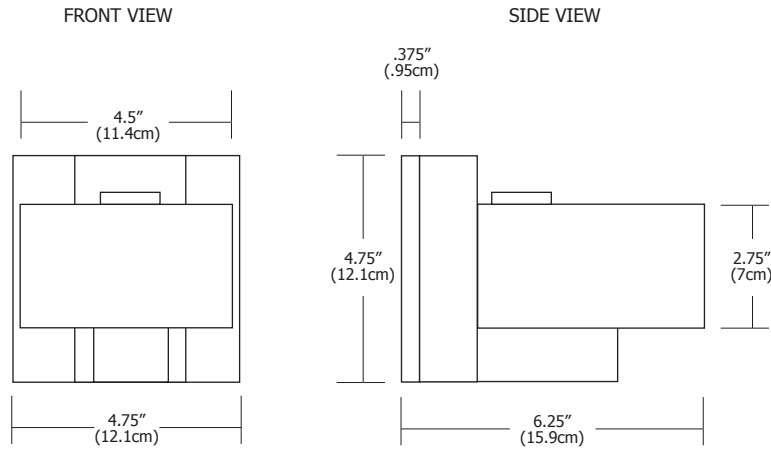
**Lamp:** **HALOGEN (H)**  
H1 - JC-MS/GY6.35/50W/12V

**Total Wattage:** H1 - 50W

**Dimmer:** Low voltage electronic

**Dimensions:** W 4.75" x H 4.75" x D 6.25"  
W 12.1cm x H 12.1cm x D 15.9cm

**Weight:** 4 lbs (1.80 kg)



Ordering Code	Type	Lamp	Finish	Voltage
<b>SQCRY</b>	<b>W</b>	<b>H1</b>	<b>SA</b>	Standard 120V (leave blank)
	-W - Wall	-H1 - Halogen	-SA - Satin Aluminum	-2 - 230V 50Hz -3 - 277V 60Hz

COMPANY:	FIXTURE TYPE:	DATE:
PROJECT:	CONSULTANT:	APPROVED BY: