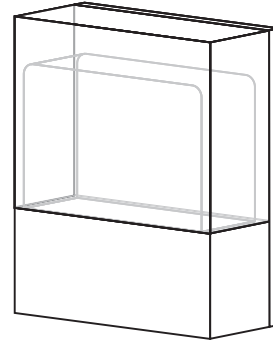


Installation Instructions for TV LED

IMPORTANT INFORMATION

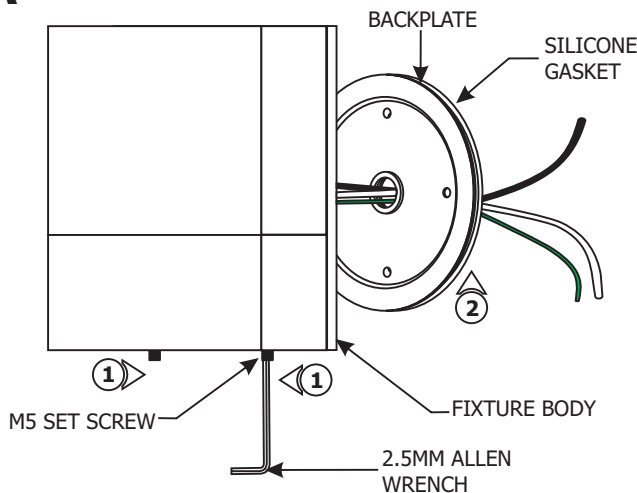
- **RISK OF FIRE:** This product must be installed 4 ft above the ground for wet locations.
- This product is for wall mount applications only.
- This product can mount to a standard 4" electrical box with a plaster ring or an octagon electrical box.
- This product is dimmable with a low voltage electronic dimmer.
- This product must be installed by a qualified electrician.

SAVE THESE INSTRUCTIONS!



Install the Fixture

A

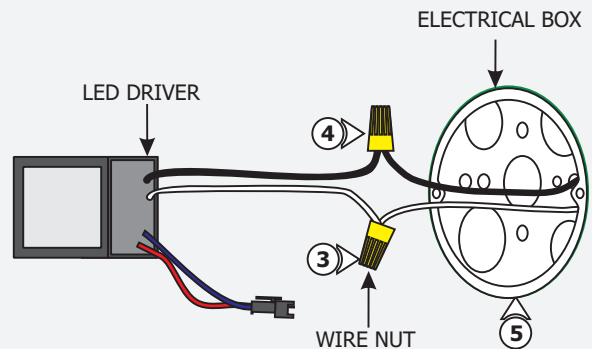


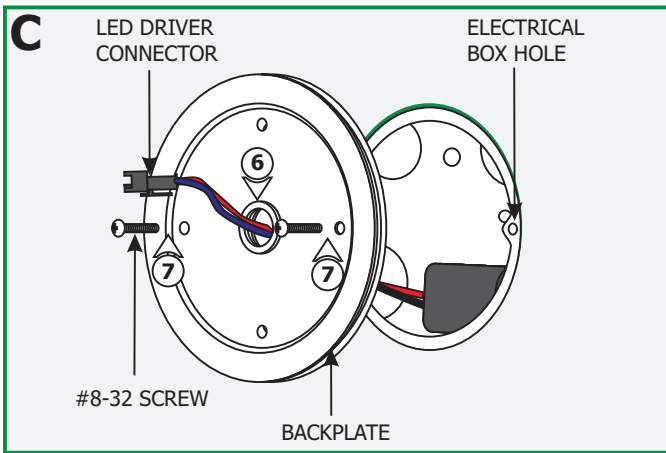
NOTE: Use the universal crossbar (provided) when mounting the fixture to an octagon box. There will be a 1/16" gap between the fixture and the wall when the universal crossbar is used. Caulking around the fixture will be needed when the universal crossbar is used in outdoor applications.

- 1:** Back out (do not remove) the two M5 set screws on bottom of the fixture with the provided 2.5mm Allen wrench.
- 2:** Slide the backplate along with the silicone gasket away from the fixture, do not remove them.

- 3:** Connect the blue (NEUTRAL) LED driver wire to the neutral power wire with a wire nut.
- 4:** Connect the brown (HOT) LED driver wire to the hot power wire with a wire nut.
- 5:** Place the LED driver and wire connections inside the electrical box.

B





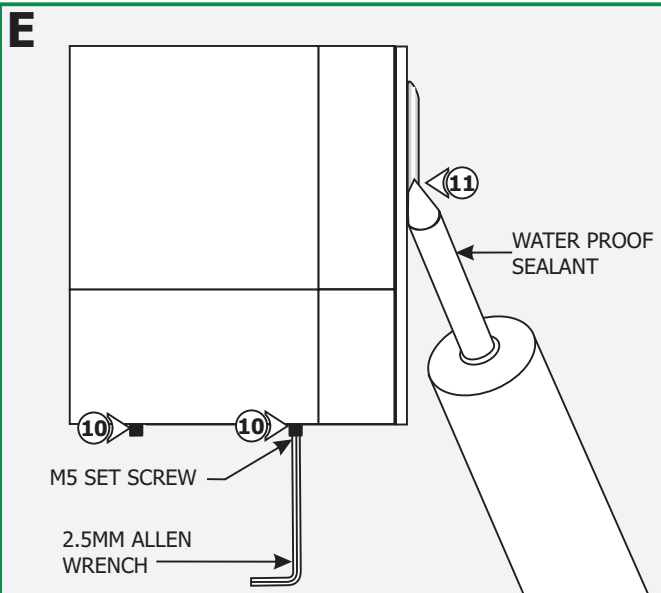
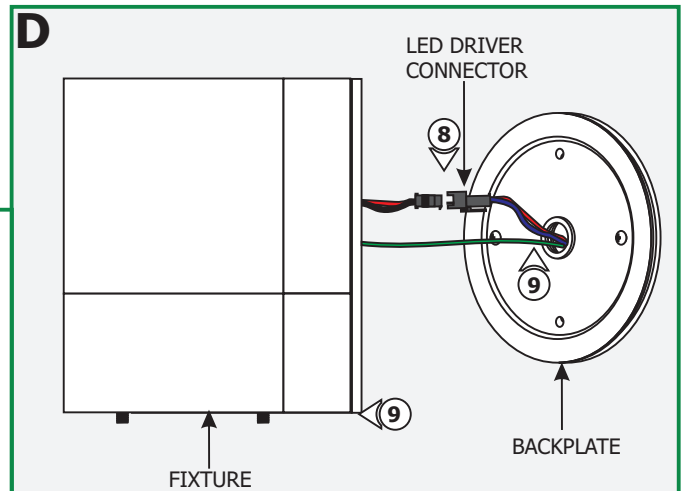
6: Feed the LED driver connector into the back of the gasket and backplate.

7: Mount the backplate to the electrical box holes with the two #8-32 screws provided.

NOTE: To avoid damaging LEDs, ensure the power to the fixture wires is turned OFF before making connections.

8: While holding the fixture, snap the fixture connector to the LED driver connector making sure the connectors are locked in place.

9: Make sure the backplate is grounded in accordance with local electrical codes.



10: Place the fixture completely onto the backplate. Tighten the two M5 set screws on the bottom of the fixture with the 2.5mm Allen wrench.

11: For Outdoor Installation: Caulk around the fixture canopy with a water proof sealant.

NOTE: The fixture contains integrated LED lamps rated for 40,000 hours. It consumes a total of **6.7** watts.

NOTE: When cleaning the fixture glass use a standard mild soap solution such as a Palmolive dishwashing liquid using a cotton or lint-free cloth. **DO NOT USE SOAPS THAT CONTAIN LOTIONS OR OXY CLEAN.**