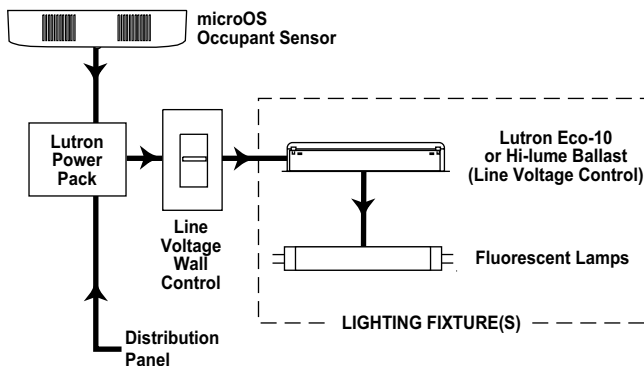




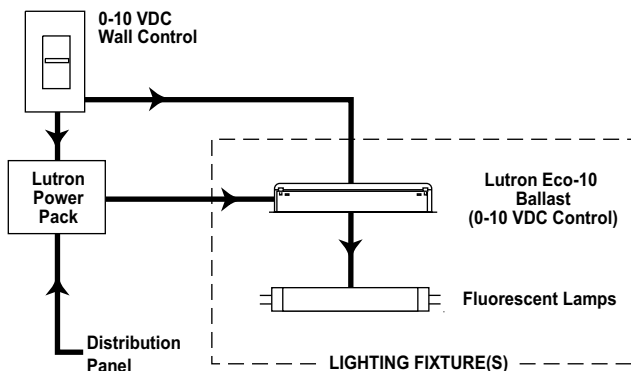
## General Description

The Lutron Power Pack works in conjunction with a Lutron microOS™ Ceiling Mounted Occupant Sensor to turn room lighting OFF automatically based on the absence of people and ON to the level of the Lutron wall dimmer. It can also be applied with a Lutron 0-10 VDC ballast control to turn room lighting ON or OFF.

### Application with microOS Ceiling Mounted Occupant Sensor



### Application with 0-10 VDC Ballast Control



## Power Pack Available Model

PP-20 (Black)

## Power Pack Features

- Provides isolated 16A relay contacts for use with Lutron Ballasts only and a 15 VDC power supply.
- Teflon insulated pigtailed and ABS housing are fire-rated for mounting in ceiling plenums.
- Simple junction box mounting in a standard knockout with all needed hardware provided.
- Compatible with Lutron microOS Ceiling Mounted Occupant Sensor and Lutron 0-10 VDC ballast control.
- One model compatible with both 120 or 277 Volt circuits.
- Operates up to five Lutron microOS Ceiling Mounted Occupant Sensors.
- Up to 10 Power Packs can be connected to one Lutron 0-10 VDC ballast control for switching of multiple circuits.

## Power Pack Specifications

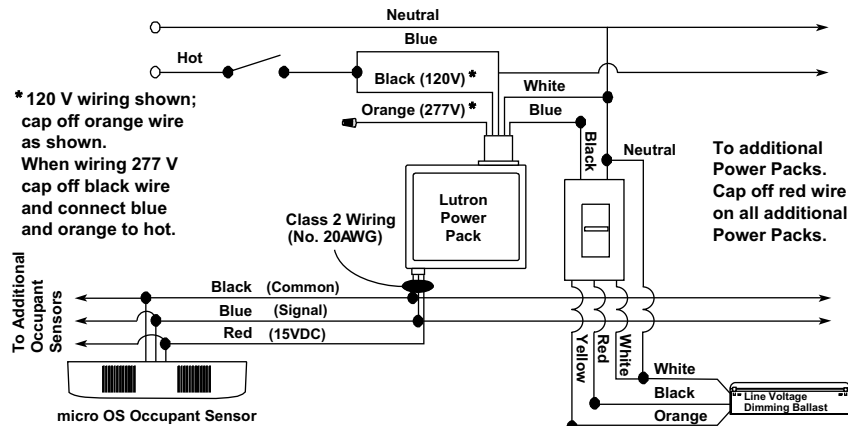
1. Provide a power pack from a supplier with more than 20 years experience manufacturing electronic switches, dimmers, and electronic dimming ballasts.
2. Manufacturer shall take sole responsibility for the Power Pack, sensor, dimmers, and dimming ballasts.
3. Manufacturer shall provide a toll-free phone number, with 24 hour emergency access, to specifically service technical and application questions.
4. The Power Pack shall be compatible with Lutron 0-10 VDC ballast controls and microOS Ceiling Mounted Occupant Sensors.
5. The Power Pack shall be capable of switching 120 or 277 Volt circuits.
6. Power Pack will have Teflon insulated pigtail wires and ABS housing which are fire-rated for mounting in ceiling plenums.
7. The Power Pack must be capable of providing power to up to five microOS Ceiling Mounted Occupant Sensors.
8. The Power Pack shall be designed to mount into a standard junction box knock out and be provided with all needed hardware.
9. The Power Pack must provide isolated 16 A relay contacts and 15 VDC Power Supply.

## Application Notes

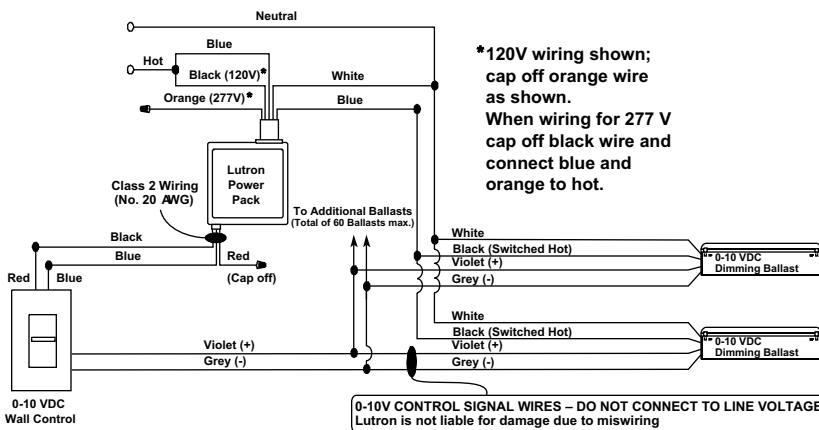
1. Do not mount the Power Pack in the same wallbox as the 0-10 VDC ballast control.
2. The total length of low voltage wiring between the Power Pack and either the Ceiling Mounted Occupant Sensor or the 0-10 VDC ballast control should be less than 500 feet.
3. Use in single pole applications only, not compatible with 3-way switches.
4. For applications with Lutron GRX-AV and OMX-AV Interface Controls, consult Lutron's Hotline (800-523-9466).

## Wiring Diagrams

### microOS Ceiling Mounted Occupant Sensors



### 0-10 VDC Ballast Control – 120 or 277 V



## Electrical Rating

120 or 277 VAC: Maximum Loads, 20A Lutron Ballast (16A continuous)

## Dimensions

Case: 2 1/2" (H) x 3" (W) x 1 3/4" (D)

## Warranty Information

Lutron will, at its option, repair or replace any unit that is defective in materials or manufacture within one year after purchase. For warranty service, return unit to place of purchase or mail to Lutron at 7200 Suter Rd., Coopersburg, PA 18036-1299, postage prepaid.

This warranty is in lieu of all other warranties, express or implied, and the implied warranty of merchantability is limited to one year from purchase. This warranty does not cover the cost of installation, removal or reinstallation, or damage resulting from misuse, abuse, or damage from improper wiring or installation. This warranty does not cover incidental or consequential damages.

This warranty gives you specific legal rights, and you may have other rights which vary from state to state. Some states do not allow the exclusion or limitation of incidental or consequential damages, or limitation on how long an implied warranty may last, so the above limitations may not apply to you.

## Technical and Sales Assistance

For help with applications, systems layout, or installation, call the toll-free Lutron Hotline: (800) 523-9466 (U.S.A., Canada or the Caribbean)

From other areas, call (610) 282-3800  
FAX: (610) 282-3090

Visit our web site at [www.lutron.com](http://www.lutron.com)