

Installation Instructions For Verge 24VDC

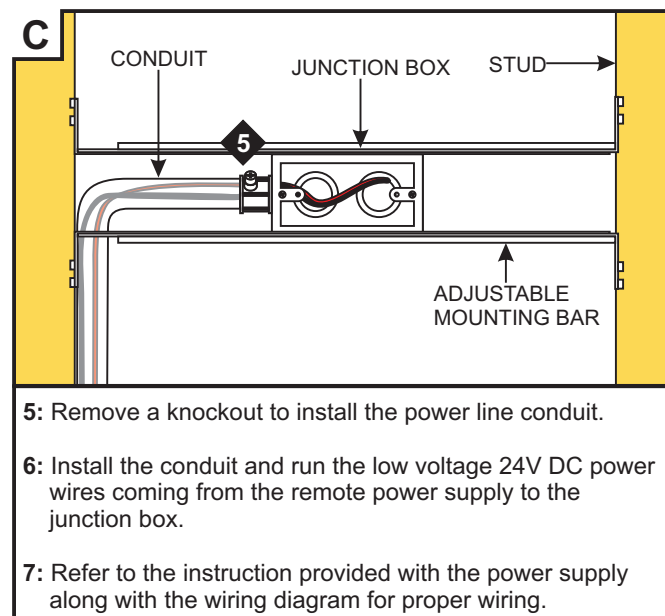
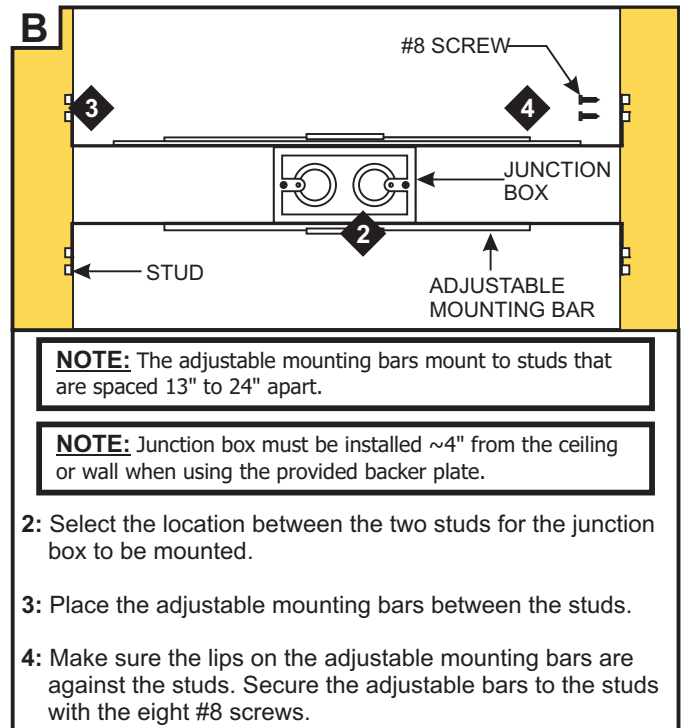
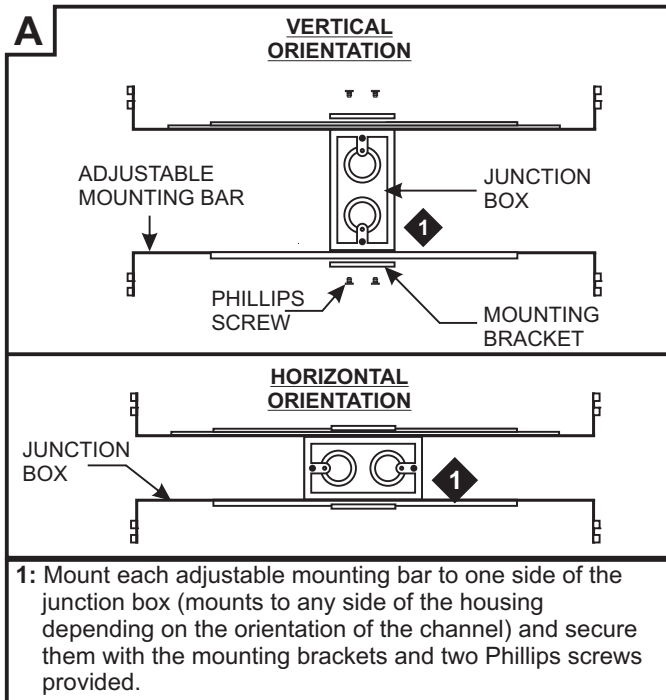
1718 W. Fullerton Ave
Chicago, IL 60614
Tel: 773-770-1195
Fax: 773-935-5613
www.purelighting.com
info@purelighting.com

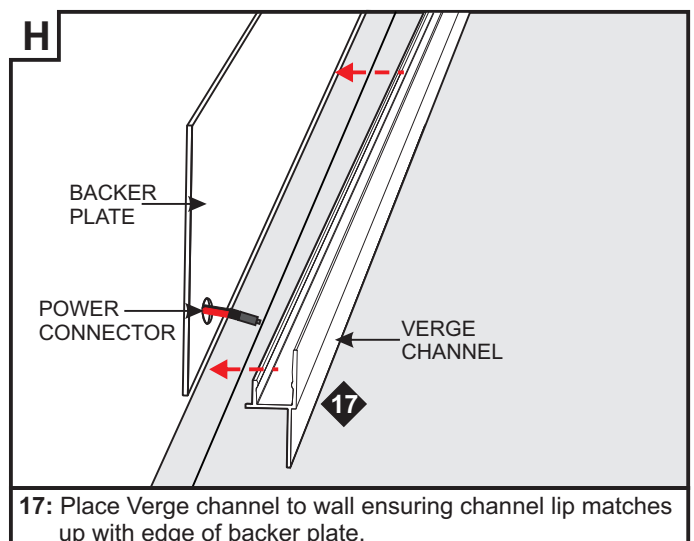
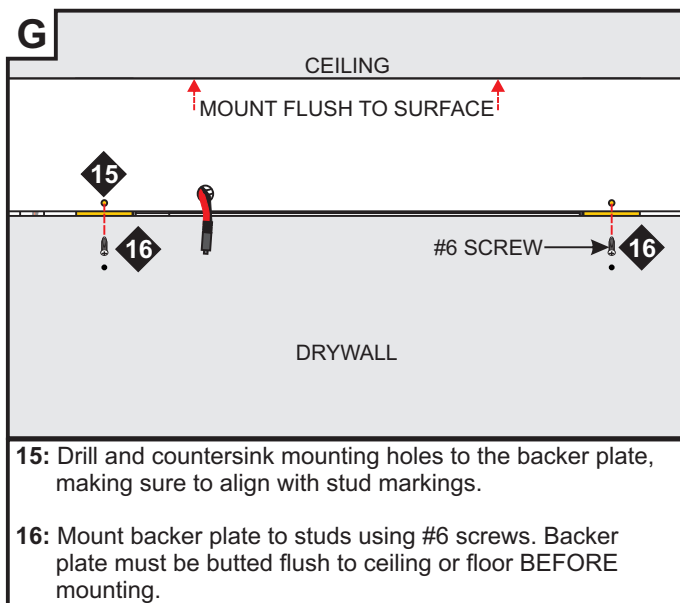
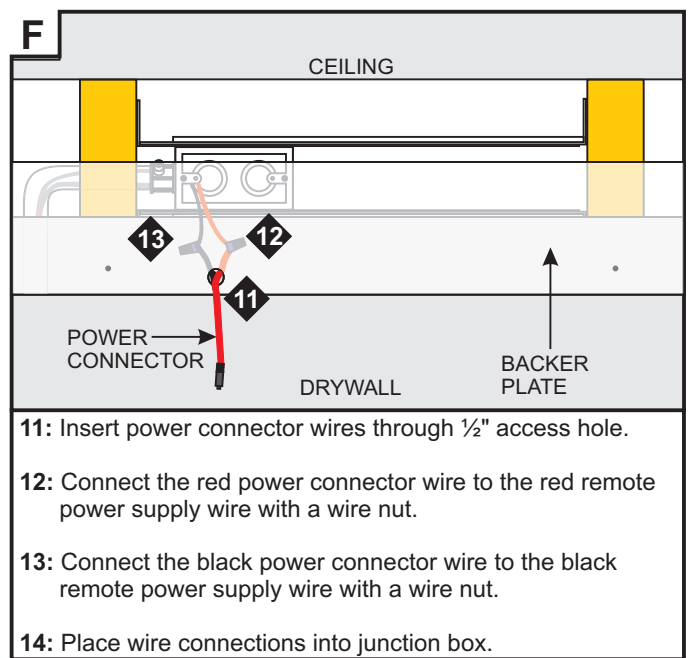
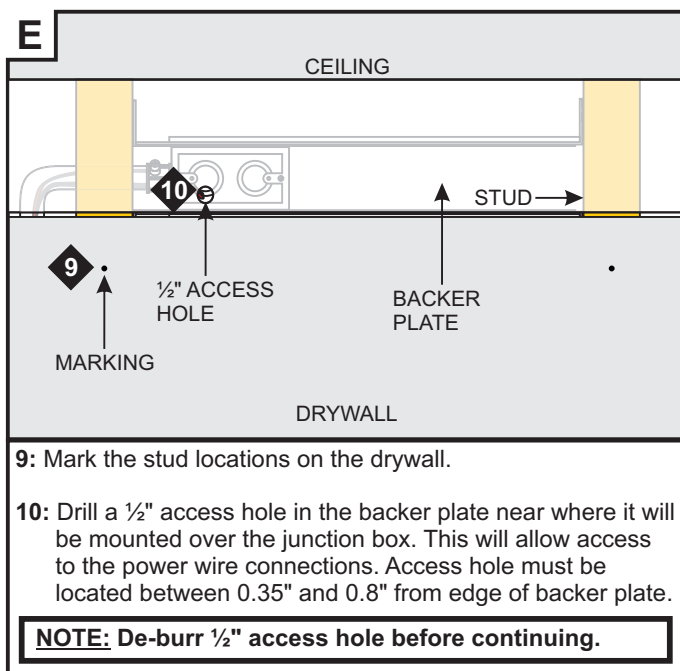
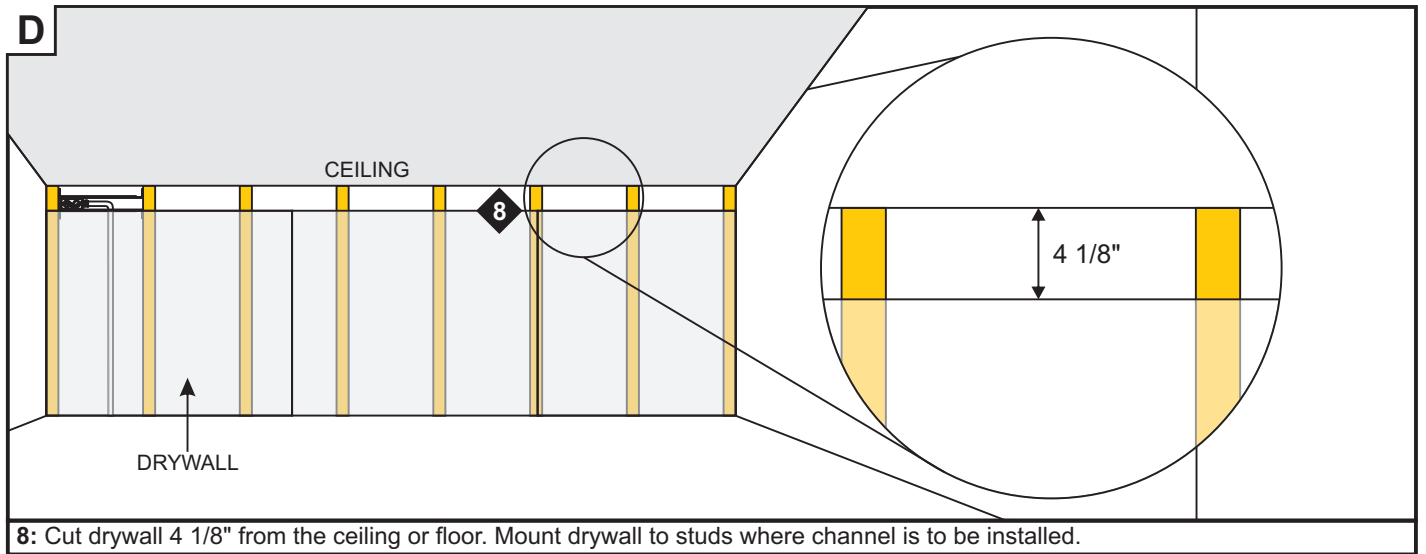
IMPORTANT INFORMATION

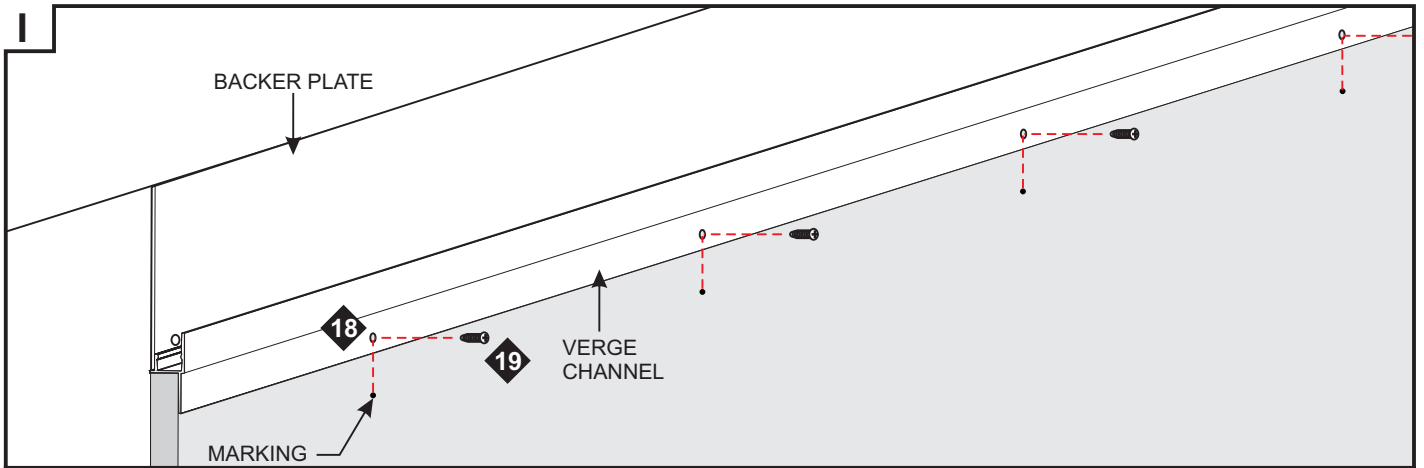
- This instruction shows a typical installation.

SAVE THESE INSTRUCTIONS!

Horizontal Channel Installation

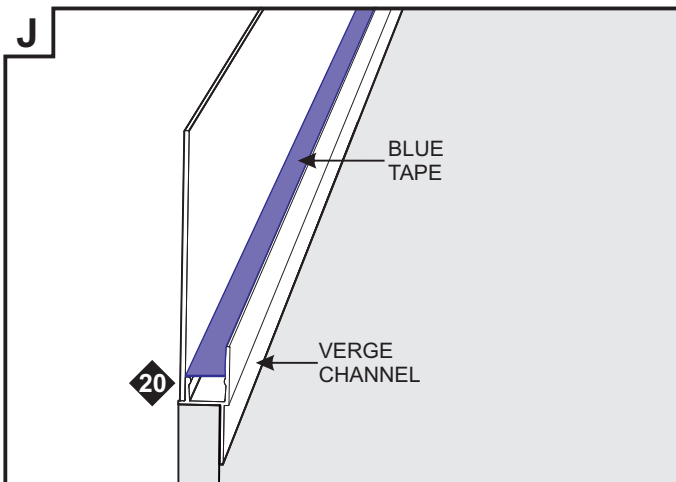




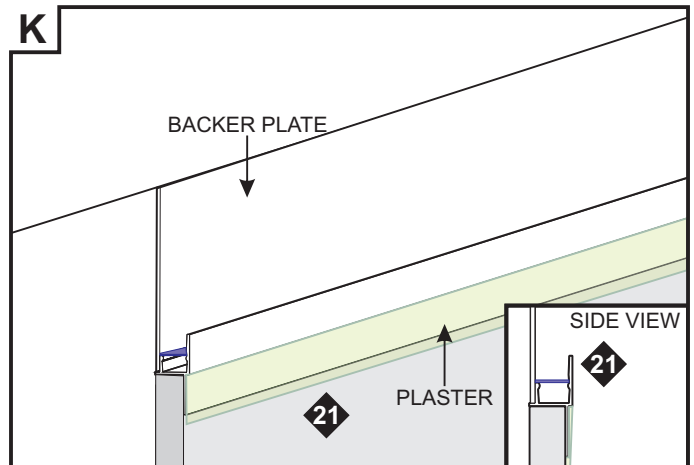


18: Using the marked locations on the drywall, carefully make a countersunk hole to the Verge.

19: Secure the channel to the drywall with the #6 screws using the provided square recess bit. Suggested screw spacing is 6".

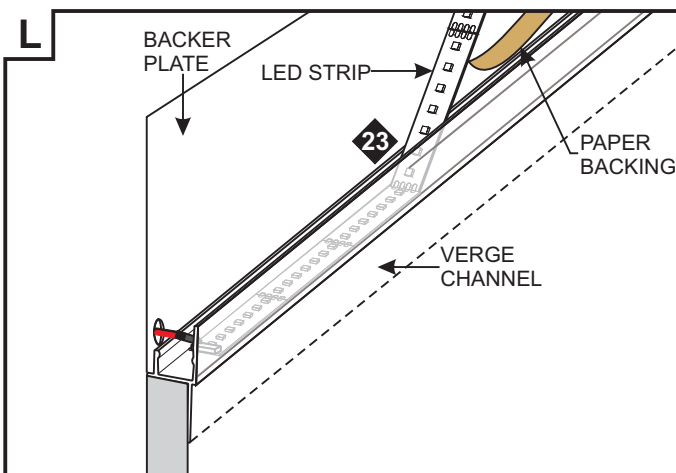


20: Cover the opening section of the Verge with blue contractor's tape to prevent plaster and dust entering inside the channel.

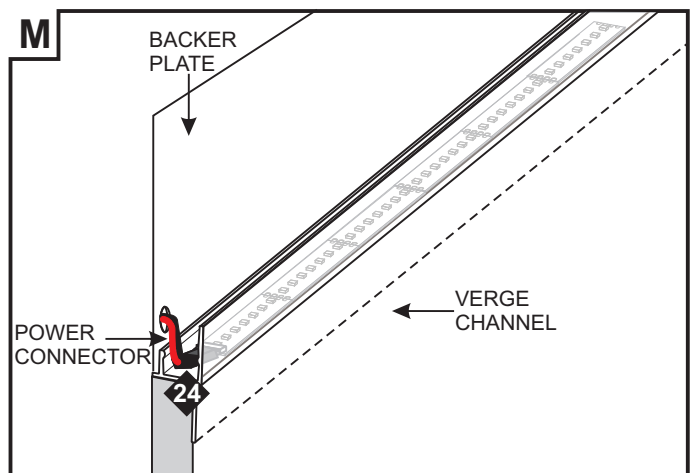


21: Plaster the channel flange edge to the wall & fill screw holes (highlighted in green). Finish the wall properly.

22: Remove the blue contractor tape & clean the inside of the channel.



23: Carefully remove the backing from the LED strip, make sure not to remove the tape from the LED strip. Firmly press down the adhesive portion of the LED strip onto the channel surface while removing the rest of the backing, making sure there are no air bubbles that can cause surface irregularities.



24: Connect the power connector so that the red wire of the power connector is aligned with the "+24VDC" marking on the LED strip. Insert the lens into the Verge channel.