

# Tigris Mirror Oval Recessed

700BCTIGOR24\_

1.1



## BATH COLLECTION

### GENERAL PRODUCT INFORMATION:



This product is suitable for indoor locations only.

This product can be dimmed with a standard incandescent dimmer.

The wall cavity where the Tigris Mirror will be installed must be a minimum of 3.5" deep. Some modification to the studs may be required.

Bring 120 Volt power supply to the mirror in accordance with local electrical codes.

Metal bar expansion range is 24" - 42".

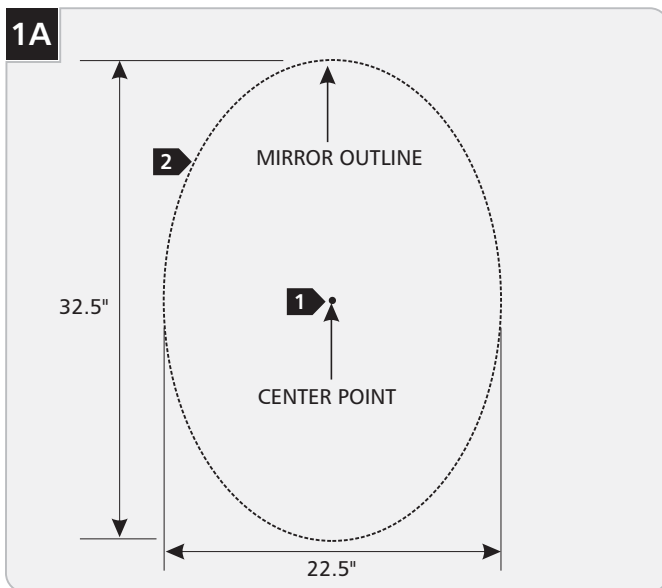
This instruction shows a typical installation.



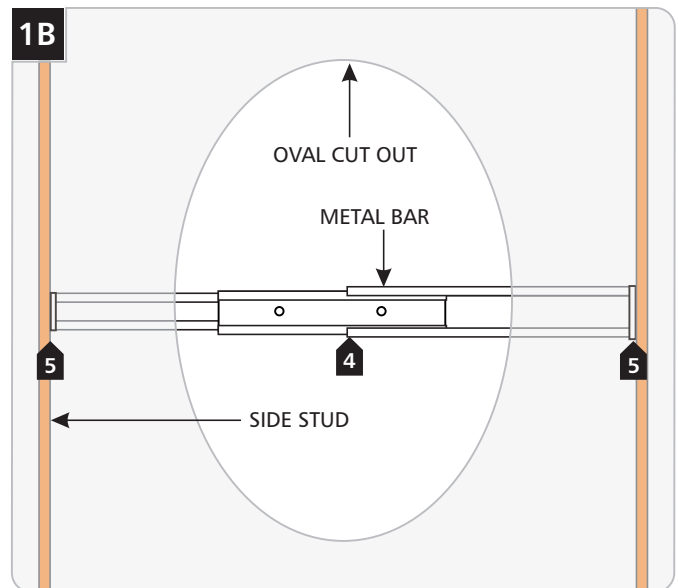
### CAUTION—RISK OF FIRE

This product requires installation by a qualified electrician. Before installing be sure to read all instructions and **TURN THE POWER TO THE ELECTRICAL BOX OFF.**

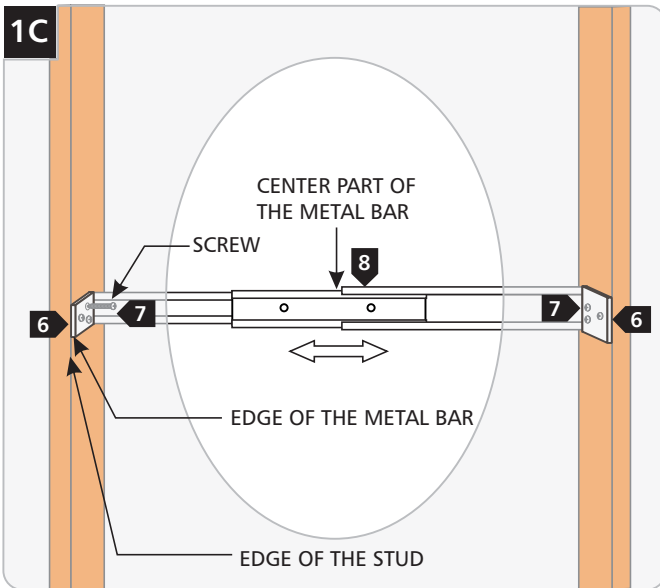
## Install the Hardware



- 1** Use the provided template (22.5" x 32.5") to mark the center and outline of the mirror on the wall.
- 2** Cut out the marked outline on the wall.
- 3** If required, make any necessary modifications to the wall studs.

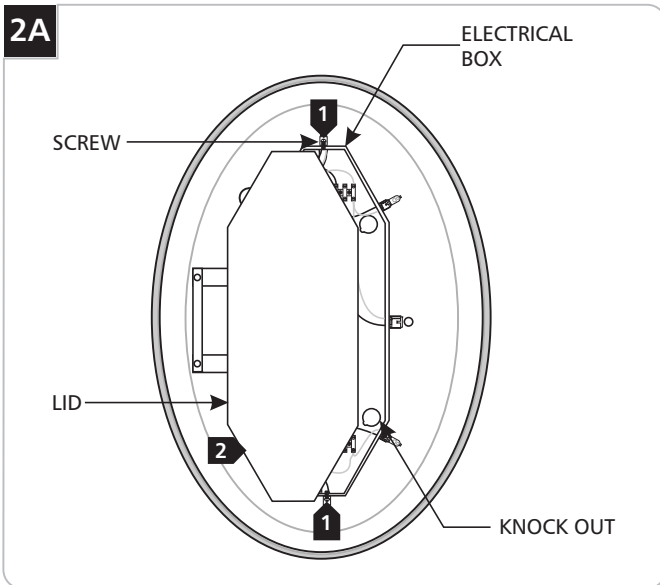


- 4** Center the metal bar vertically in the oval cut out.
- 5** Extend the metal bar (maximum 42") so that the ends touch the side studs.

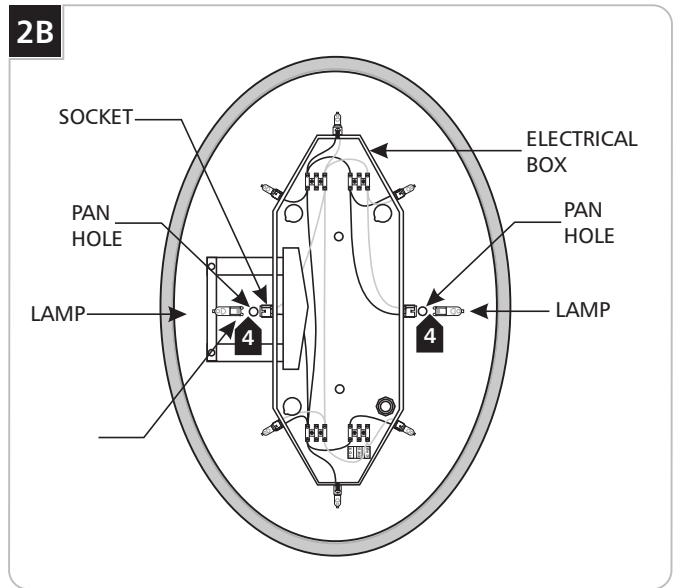


- 6** Line up the edge of the metal bar with the edge of the stud (where drywall is attached to) on each side.
- 7** Secure the metal bar to the studs with the six screws provided.
- 8** Center the metal bar horizontally by sliding the center part sideways.

## Prepare the Mirror for Installation

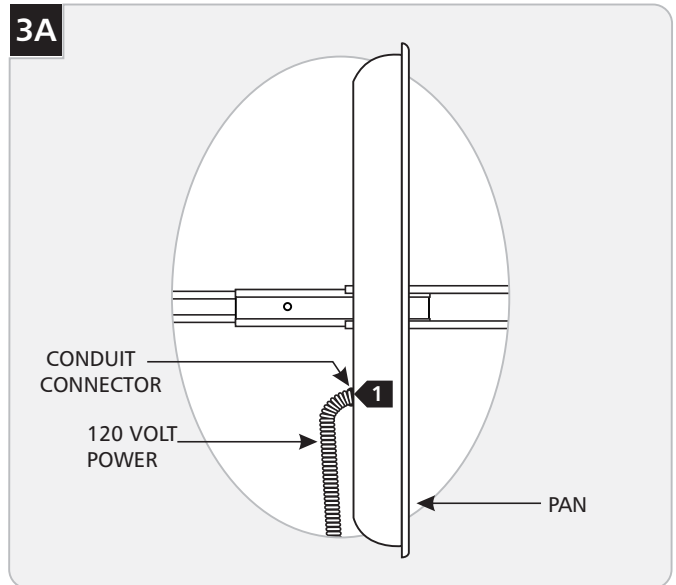


- 1** Loosen (do not remove) the two screws on top and bottom of the electrical box in the center of the pan.
- 2** Remove the electrical box lid.
- 3** Remove one knockout and install the provided conduit connector.

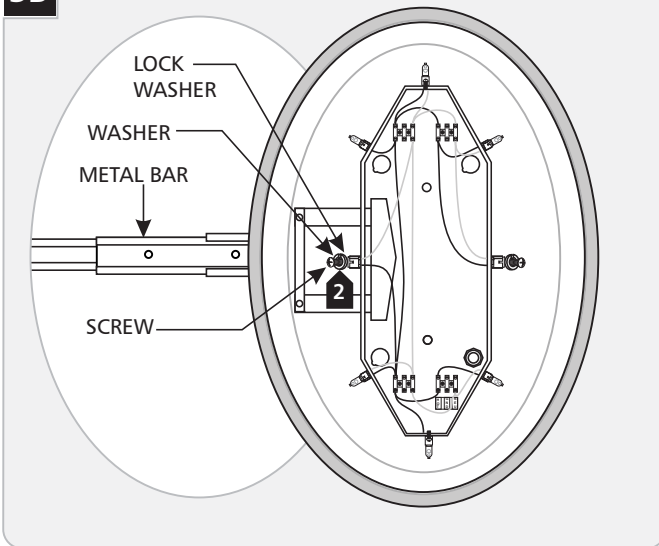


- 4** Handle the lamp with a soft cloth to prevent the natural oils on the fingertips from collecting on the lamp. Pull the lamps out. This will clear the two side pan holes for installation.

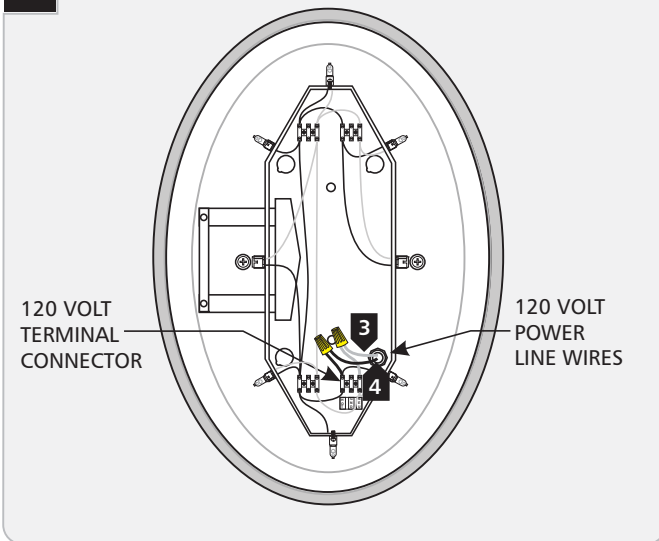
## Connect the Power & Install the Pan



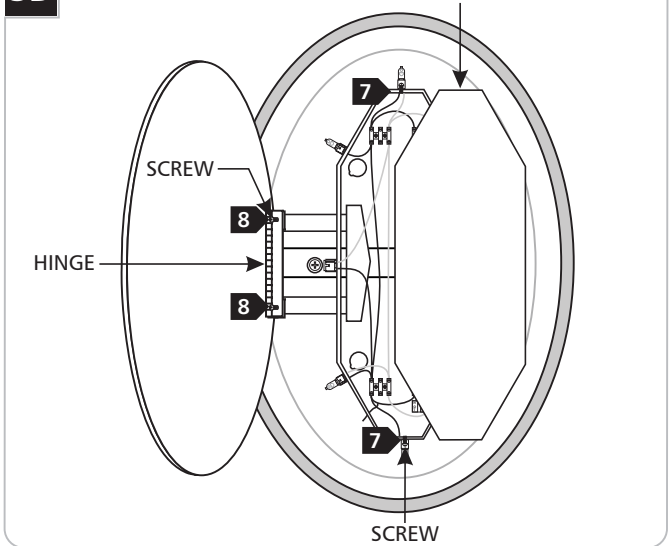
- 1** Connect the 120 volt power line conduit to the conduit connector.

**3B**

- 2** Mount the pan to the metal bar with provided washers, lock washers and the screws.

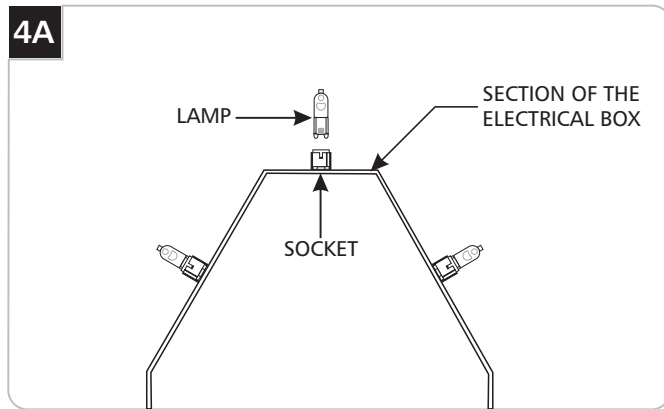
**3C**

- 3** Connect the neutral power line wire to the white fixture wire with a wire nut.
- 4** Connect the hot power line wire to the black fixture wire with a wire nut.
- 5** Connect the fixture to a suitable ground in accordance with local electrical codes.
- 6** Refer to "Replace Lamps" on page 4 to replace the lamps.

**3D**

- 7** Replace the lid onto the electrical box and tighten the two screws.
- 8** Carefully attach the mirror onto the hinge and tighten the two screws.

## Replacing the Lamps



Use **MAX 40 Watt** type T4, G9 base bi-pin halogen lamp in each socket.



**NOTE:** Use only your fingers and a soft cloth to replace the lamp.

- 1 Pull out the old lamp.
- 2 Handle the new replacement lamp with a soft cloth to prevent the natural oils on the fingertips from collecting on the lamp. This will help extend the life of the lamp.
- 3 Push the new lamps firmly all the way into the socket.

**SAVE THESE INSTRUCTIONS!**

## IMPORTANT SAFETY INSTRUCTIONS

*To reduce the risk of fire, electrical shock, exposure to excessive UV radiation, or injury to person:*

- Use this fixture indoors only.
- Do not look directly at the lighted lamp.
- Do not remain in light if skin feels warm.
- Risk of fire: Use only the type of lamp and maximum wattage indicated in this instruction manual.
- Never cover the halogen lamp with anything other than a Tech Lighting lamp shield and never place flammable material close to your fixture.
- Never turn the fixture on and off by connecting and disconnecting the halogen lamp.
- Do not touch the fixture shades or lamp shield while the fixture is on. These surfaces may be HOT.

## Halogen Lamp General Information

- A new halogen lamp may smoke slightly when it is used for the first time. This is perfectly normal; the protective coating is simply being vaporized.

## Two Tips For Prolonging Halogen Lamp Life

- First avoid touching the lamp with bare hands during installation. Any contaminant, even the oil from your hands can deteriorate the lamp. Rubbing alcohol can be used to remove any contaminant.
- Second, do not run the lamps at full power when you do not need to. However, if dimming the fixture for an extended period of time, occasionally bring the light up to full brightness for a few minutes to complete the halogen cycle.



7400 Linder Ave, Skokie, IL 60077  
847.410.4400

[www.techlighting.com](http://www.techlighting.com)

© 2008 Tech Lighting, L.L.C. All rights reserved. The "Tech Lighting" graphic is a registered trademark of Tech Lighting, L.L.C. Tech Lighting reserves the right to change specifications for product improvements without notification.  
A Generation Brands Company