

SS2P SOFT STRIP 2.3W 12VDC HIGH OUTPUT, PREMIUM CRI (80+)

REV.04.21.15



SS2P-12V-_-WW

LENGTH IN FEET	TOTAL WATTAGE	LENGTH IN FEET	TOTAL WATTAGE
1	2W	14	32W
2	5W	15	35W
3	7W	16	37W
4	9W	17	39W
5	11W	18	42W
6	14W	19	44W
7	16W	20	46W
8	19W	21	48W
9	21W	22	51W
10	23W	23	53W
11	25W	24	55W
12	28W	25	57W
13	30W		

Maximum Length Before Refeeding: 25 Ft

Description:

Premium 12 volt Soft Strip (SS2P) provides high levels of light with 80+ CRI warm-white LEDs, offering superior color rendering and enhanced color in the space. The 1/2" wide flexible copper strip, with an optically clear protective coating, is sold in 1 ft increments up to 25 ft with easy plug-in connectors on each end. Includes a 6 ft power feed cable. For custom lengths, smaller segments are available in 1 inch increments (sold separately). Use plug-in flexible connectors for making turns and custom configurations. At only 2.3 LED watts per foot, the system dims with a standard electronic low-voltage dimmer using the PSB-60W-ELV-12VDC. Self-adhering SS2P mounts to most smooth finished surfaces with the industrial strength 3M tape (provided on back of strip); some unfinished surfaces may require screw-in mounting clips (sold separately). Designed for indoor, open-air environments, SS2P includes a flexible aluminum heat sink to extend LED life. Fixtures include 5 year warranty.

Applications:

Indoor Only - Task lighting, under/above cabinet, cove, retail clothing, work stations, closets, wine cellars and toe kicks

Lamp:

36 warm white (3,097K) LEDs per foot, 80+CRI
 182 lumens per foot
 LED lamps consume 2.3 watts per foot at 12VDC
 18" from counter produces 58 foot candles

Average Lamp Life:

32,000 hours

Power Supply:

60 watt, 120 volt input, 12 volt DC output PSB-60W-ELV-12VDC

Dimming:

Dimmable with low voltage electronic dimmer using power supply above. See power supply spec sheet for additional details. Lutron: Diva #DVELV-300P; Skylark #SELV-300P; Maestro #MAELV-600 are recommended

Mounting Strap:

Straps for mounting Soft Strip on surfaces not compatible with 3M tape (provided on the back of Soft Strip).

SS-SU

Use U-Strap every 6 to 12 inches for extra support (30 per package).

SS-ST

Use Tie Strap every 6 to 12 inches for extra support (30 per package).

SS-MCL

Screw In Mounting Clip mounts beneath strip, snapping the Strip into place for additional support (10 per package).



The U.S. Department of Energy's Lighting Facts® Program has verified product performance based on industry-standardized testing.

System wattage shown in Lighting Facts® demonstrates tests using a four foot segment of SS2P Soft Strip with power supply. For raw LED lamp data see above.



SS2P-12V-1IN-WW
1 Inch Soft Strip

System	Voltage	Length	Color Temperature
SS2P	12V	1IN	WW
SS2P Soft Strip Premium 2.3W per Ft	12V 12 Volt	1IN 1 Inch	WW Warm White (3,097K)

System	Voltage	Length in Feet	Color Temperature
SS2P	12V	25	WW
SS2P Soft Strip Premium 2.3W per Ft	12V 12 Volt	Sold in 1 Ft increments up to 25 Ft (Example 25 =25 Ft)	WW Warm White (3,097K)

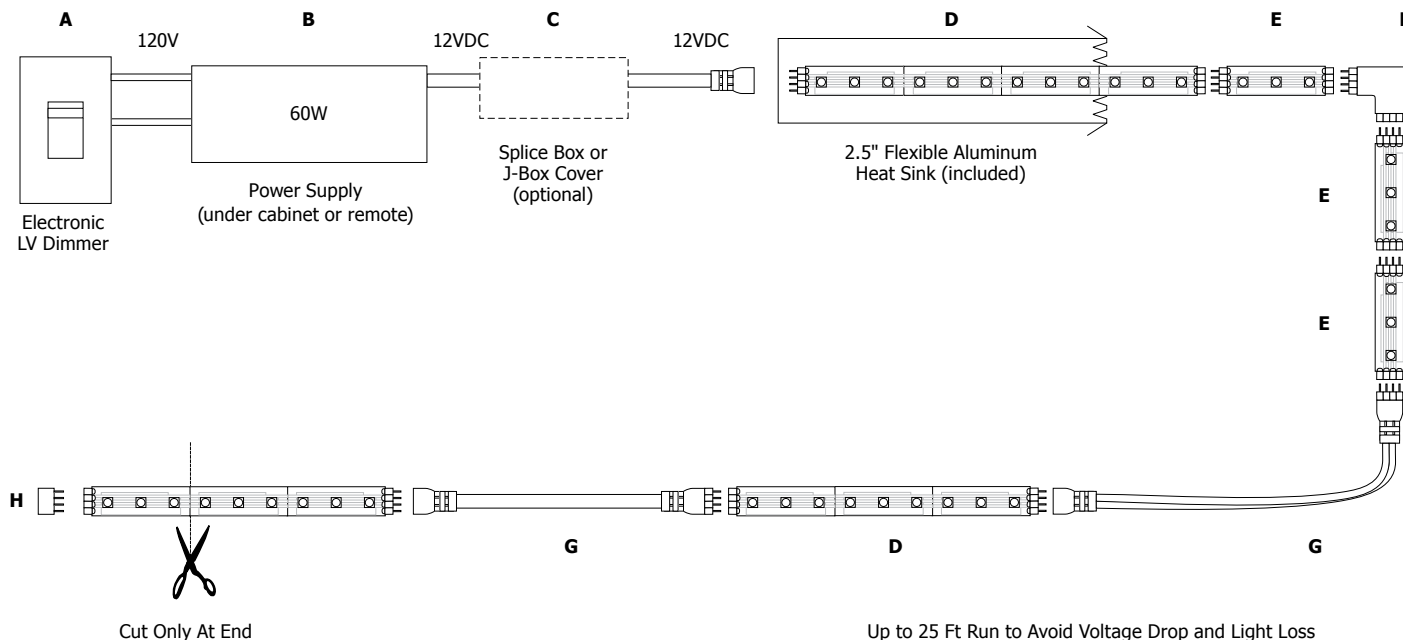
PROJECT:

FIXTURE TYPE:

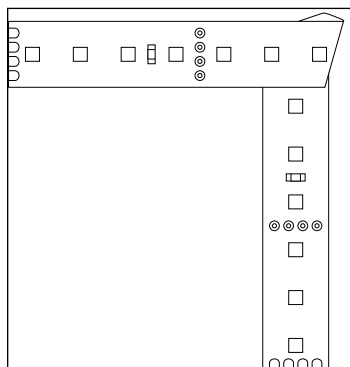
DATE:



- Application:** Electronic low-voltage dimming for Soft Strip SS2P 2.3W-12V
- Power Supply:** 60 watt, 120 volt input, 12 volt DC output PSB-60W-ELV-12VDC
- Dimming:** Dimmable with low voltage electronic dimmer using power supply above. See power supply spec sheet for additional details. Lutron: Diva #DVELV-300P; Skylark #SELV-300P; Maestro #MAELV-600 dimmers are recommended



STRIP **DOES NOT** BEND 90°



- A. Lutron Dimmers
Diva **DVELV-300P**
or Skylark **SELV-300P**
- B. 60W 12VDC Power Supply
PSB-60W-ELV-12VDC
- C. Optional: Splice Box **1RB-WH** or
3" Rectangle Canopy Cover **3RE-WH**
or 4" Round Canopy Cover **4RD-WH**
- D. Soft Strip 2.3W/12V
SS2P-12V-_-WW
sold by the foot; up to 25 ft
with easy plug-in connector
on each end
- E. Soft Strip 2.3W/12V
SS2P-12V-1IN -WW
1 inch segment with easy
plug-in connector on each end
- F. L-Connector
SS-CL
L-shaped plug-in connector
- G. Flexible Connector
3, 6, 12, 36 or 96 inch
SS-CFX-_-
- H. End Cap Connector
SS-CEC

PROJECT:

FIXTURE
TYPE:

DATE:

