



SS3-24V-_-WW

**Maximum Length
Before Refeeding: 40 Ft***

LENGTH IN FEET	TOTAL WATTAGE	LENGTH IN FEET	TOTAL WATTAGE
1	3	21	51
2	5	22	53
3	8	23	56
4	10	24	58
5	12	25	60
6	15	26	63
7	17	27	65
8	20	28	68
9	22	29	70
10	24	30	72
11	27	31	75
12	29	32	77
13	32	33	80
14	34	34	82
15	36	35	84
16	39	36	87
17	41	37	89
18	44	38	92
19	46	39	94
20	48	40	96

*25 Ft maximum when used with PSB-60W-ELV-24VDC



SS3-24V-4IN-WW
4 Inch Soft Strip

Description:

Soft Strip (SS3) provides high levels of light with warm white or very warm white LEDs. The 1/2" wide flexible copper strip, with optically clear protective coating is sold in 1 ft increments up to 40 feet. Includes plug-in connectors on each end and 6 ft power feed cable. For custom lengths, smaller segments are available in 4 inch increments (sold separately). Use plug-in flexible connectors for making turns and custom configurations. At only 2.4 watts per foot, this economical system dims with an electronic low-voltage or 0-10V dimmer. Self-adhering SS3 mounts to most smooth finished surfaces with industrial strength 3M tape (provided on back of strip); some unfinished surfaces may require screw-in mounting clips (sold separately). Designed for indoor, open-air environments, SS3 includes a flexible aluminum heat sink to extend LED life. Fixtures include a 5 year warranty.

Applications:

Indoor Only - Task lighting, inside/under/above cabinet, office work stations, wine racks, shelves, accent and toe kicks. ETL listed to conform to UL 2108 for closet and under-cabinet applications.

Lamp:

18 warm-white (3,070K) or very warm-white (2,540K) LEDs per foot
75+ CRI; Warm White: 161 lumens per foot
LED lamps consume 2.4 watts per foot at 24VDC
48 lumens per watt (including power supply)

Average Lamp Life:

32,000 hours

Power Supply (24VDC):

- PSB-60W-ELV-24DC** 120VAC input, 60 watt output (25 ft max)
- PSB-96W-010-24VDC** 120-277VAC input, 96 watt output (40 ft max)
- PSB-100W-ELV-24VDC** 120VAC input, 96 watt output (40 ft max)
- PSB-2X96W-010-24VDC** 120-277VAC input, 2x96 watt output (40 ft max)
- PSB-2X100W-ELV-24VDC** 120VAC input, 2x96 watt output (40 ft max)

Dimming:

010 power supplies use 0-10V dimmer: Philips Sunrise SR1200ZTUNV.
ELV power supplies use ELV dimmer: Legrand, Adorne ADTP703TU;
Lutron: Diva DVELV-300P, Skylark SELV-300P, Maestro MAELV-600 and Radio Ra 2

Mounting Straps & Clips:

SS-SU

Use U-Strap every 6 to 12 inches for extra support (30 per package).

SS-ST

Use Tie Strap every 6 to 12 inches for extra support (30 per package).

SS-MCL

Mounts beneath strip, snapping strip in place for additional support (10 per package).

System	Voltage	Length	Color Temperature
SS3	24V	4IN	WW
SS3 Soft Strip 2.4W per Ft	24V 24 Volt	4IN 4 Inch	WW Warm White (3,070K) VW Very Warm White (2,540K)

System	Voltage	Length in Feet	Color Temperature
SS3	24V	40	WW
SS3 Soft Strip 2.4W per Ft	24V 24 Volt	Sold in 1 ft increments up to 40ft (Example 40=40')	WW Warm White (3,070K) VW Very Warm White (2,540K)

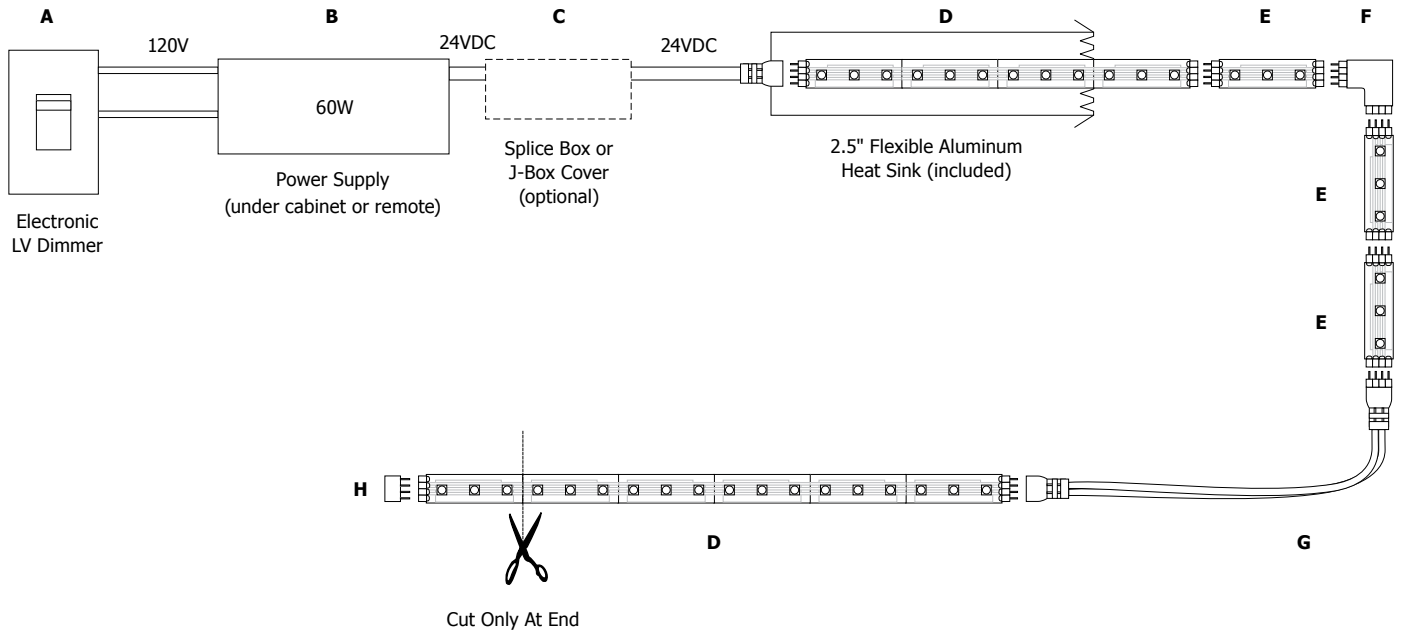
PROJECT:

FIXTURE
TYPE:

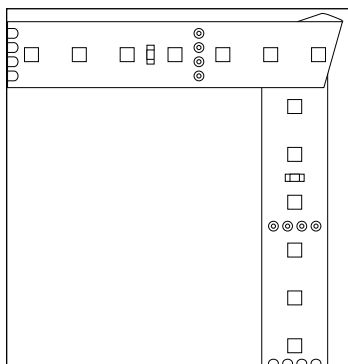
DATE:



- Application:** Electronic low-voltage dimming for SS3 Soft Strip
- Power Supply:** PSB-60W-ELV-24VDC: 120VAC input, 24VDC 60 watt output
- Dimming:** Dimmable with low voltage electronic dimmer using power supply above. See power supply spec sheet for additional details. Lutron: Diva DVELV-300P; Skylark SELV-300P; Maestro MAELV-600 dimmers are recommended.



STRIP **DOES NOT** BEND 90°



- A. Lutron Dimmers
Diva **DVELV-300P**
or Skylark **SELV-300P**
- B. 60W 24VDC Power Supply
PSB-60W-ELV-24VDC
- C. Splice Box or Junction Box Cover (optional)
- D. Soft Strip, WW or VW
SS3-24V-_-_-
sold by the foot; up to 40 ft with plug-in connector on each end
- E. Soft Strip, WW or VW
SS3-24V-4IN -_-
4 inch segment
- F. L-Connector
SS-CL
L-shaped plug-in connector
- G. Flexible Connector
SS-CFX-_-
3, 6, 12, 36, 96, or 144"
- H. End Cap Connector
SS-CEC

PROJECT:

FIXTURE
TYPE:

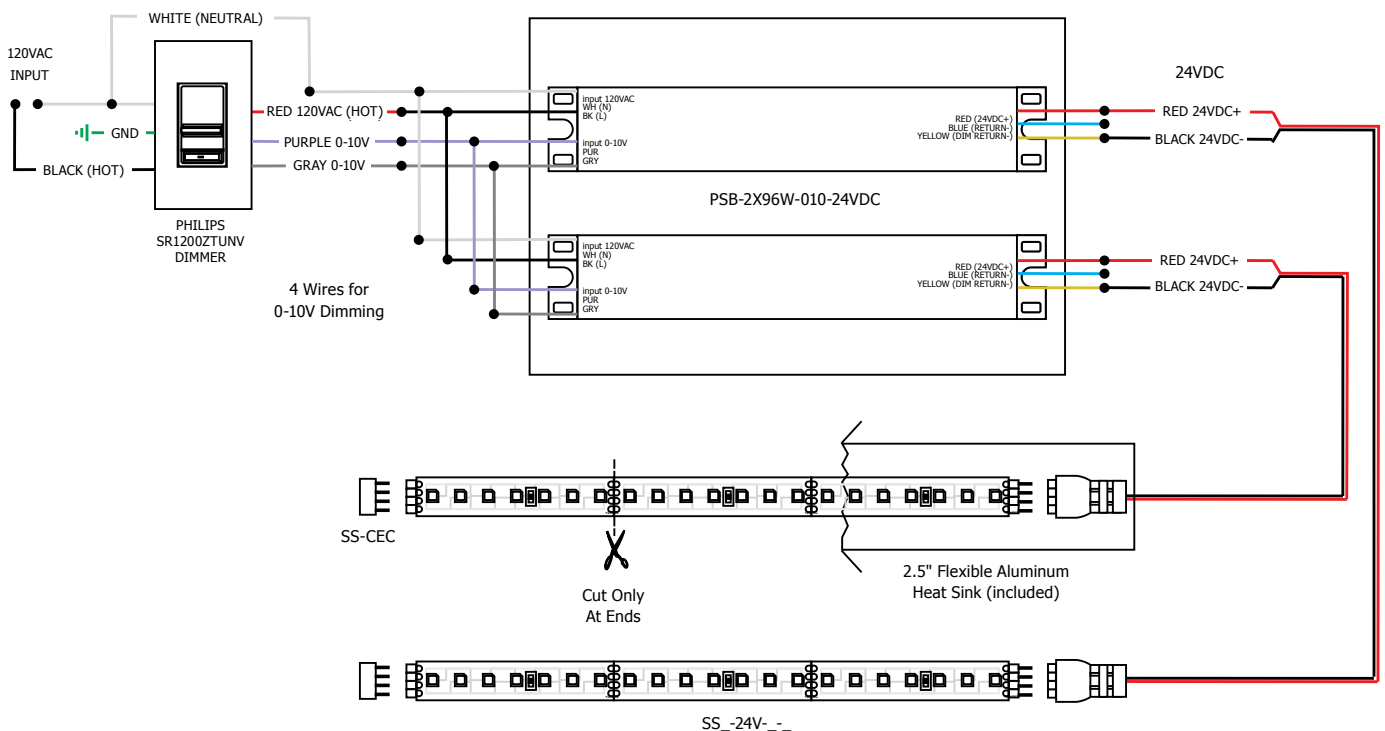
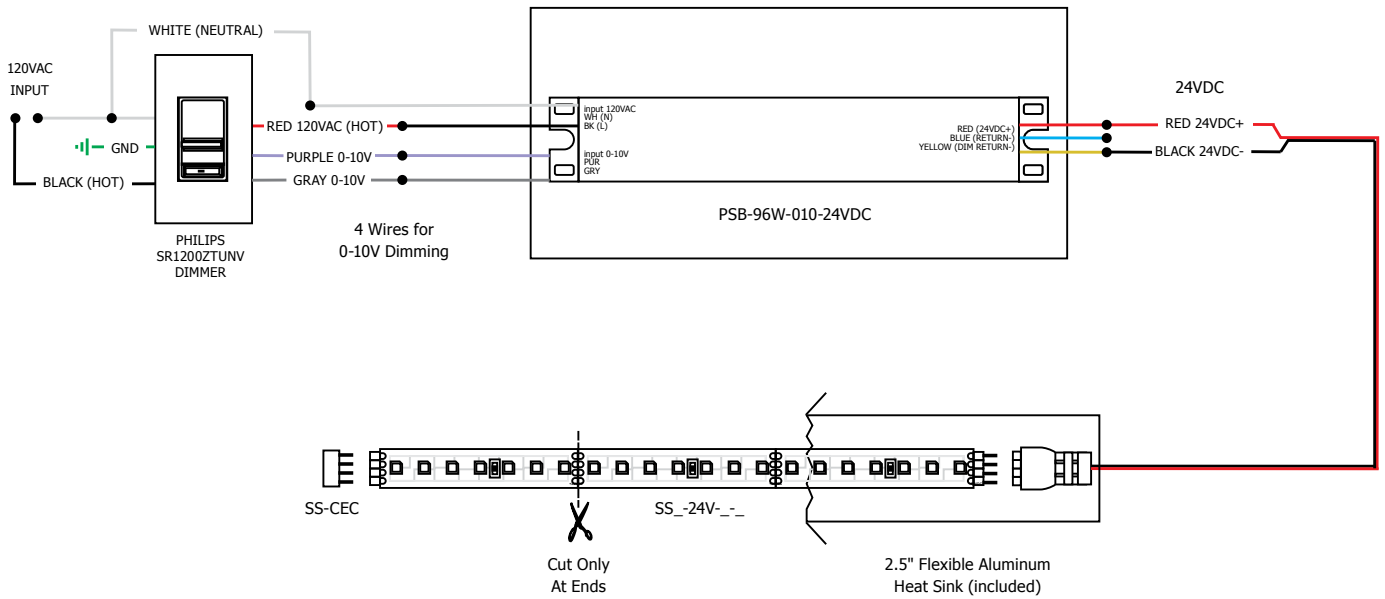
DATE:



Application: 0-10V dimming for SS3 Soft Strip

Power Supply: Class 2, 24VDC output: 120-277VAC input, 96 watt output PSB-96W-010-24VDC;
120-277VAC input, 192 watt output PSB-2X96W-010-24VDC

Dimming: Dimmable with 0-10V dimmer using power supply above. See power supply spec sheet for additional details. Philips Sunrise SR1200ZTUNV, 0-10V dimmer recommended.



PROJECT:

FIXTURE TYPE:

DATE:

