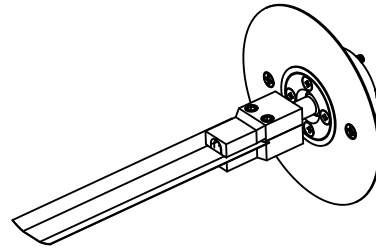


## Installation Instructions for **Soft Line**

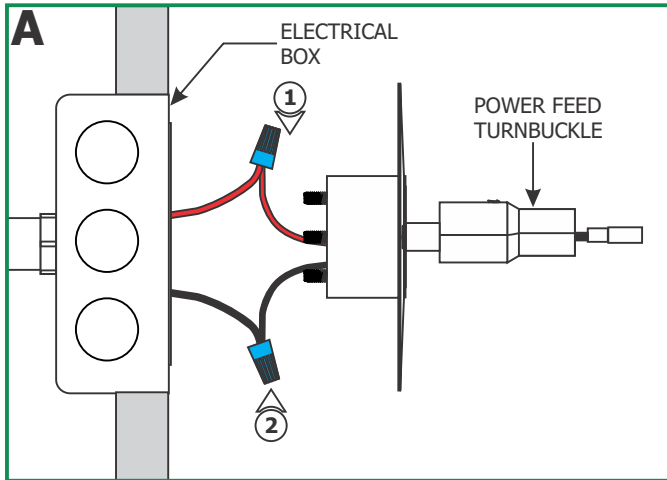
### IMPORTANT INFORMATION

- This instruction shows a typical installation.

**SAVE THESE INSTRUCTIONS!**

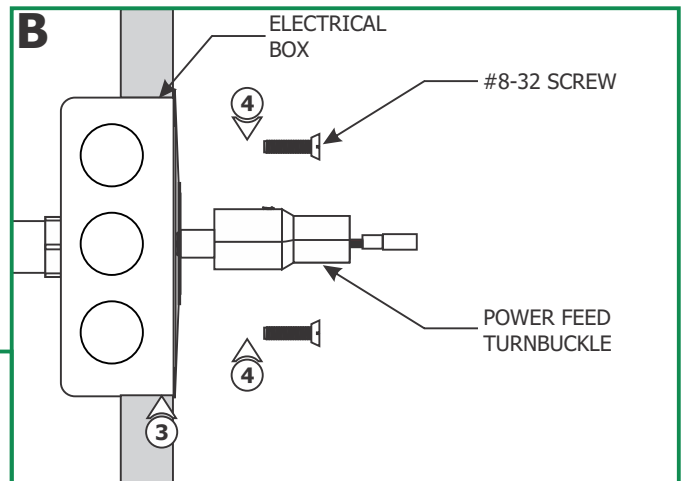


## Install the Soft Line

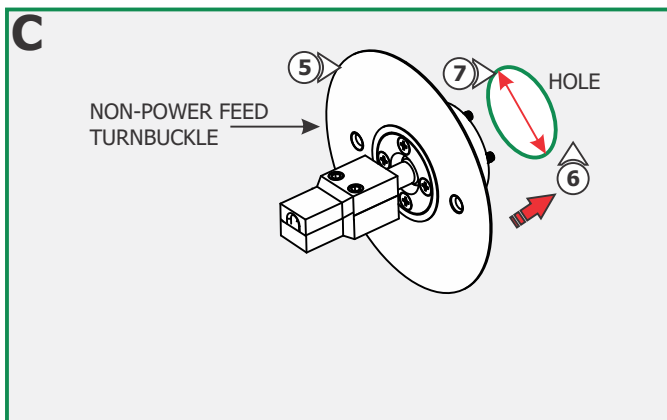


**NOTE:** The low voltage wires should be present in the electrical box. Refer to the instructions provided with the power supply to install the low voltage wires before proceeding with the steps below.

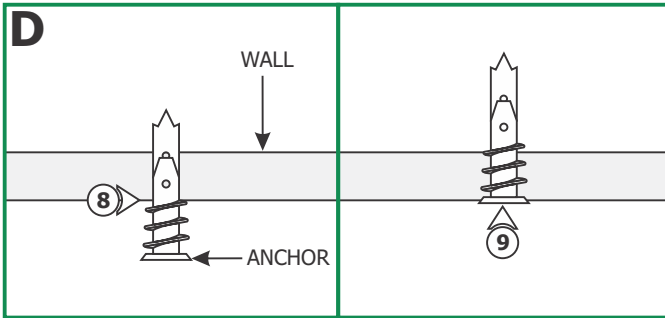
- 1:** Connect the red power feed turnbuckle wire to the red driver wire with a wire nut.
- 2:** Connect the black power feed turnbuckle wire to the black driver wire with a wire nut.



- 3:** Place all wires inside the electrical box.
- 4:** Secure the power feed turnbuckle to the electrical box by tightening the two provided #8-32 screws.



- 5:** Determine the location for the non-power feed turnbuckle, either face to face with power feed turnbuckle (up to 40' away) or diagonal up to 120° from the power feed turnbuckle.
- 6:** Use only a 1-3/4" circular saw to cut out the drywall where the turnbuckle is going to be installed.
- 7:** Place the turnbuckle into the hole and mark the two screw holes.

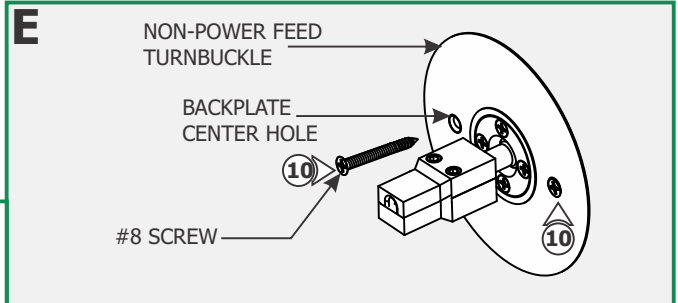


**NOTE:** Omit the steps 9 and 10 if installing to a wood surface.

**8:** Tap the anchors onto the marked points up to the threaded portion with a hammer.

**9:** Screw in the threaded portion of the anchors with a Phillips screwdriver.

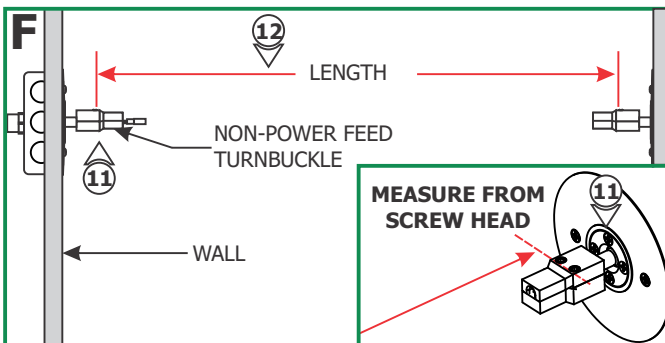
**10:** Push the non-power feed turnbuckle into the 1.8" cutout hole. Align the holes with the turnbuckles and secure it in place with the two #8 screws.



**11:** Slightly loosen (**Do Not Remove**) the four phillips screws on adjustment link of each turnbuckle.

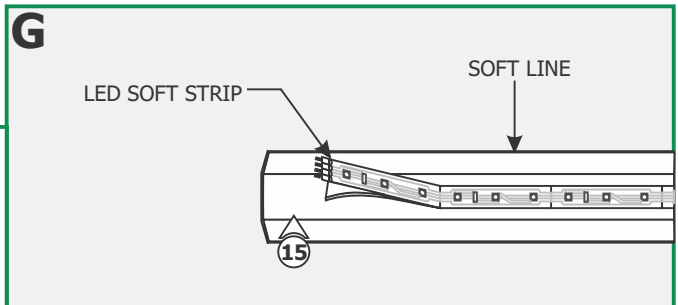
**12:** Measure the distance between the two Turnbuckles hex screw heads to determine the Soft Line length.

**13:** Cut the Soft Line to determined length.



**14:** Clean the Soft Line surface thoroughly with alcohol (pads provided) where the LED strip will be installed.

**15:** Remove the backing from the LED soft strip and firmly press it down 2" away from one end of the soft line channel.



**16:** Slightly loosen the two hex head screws on each turnbuckle with provided Allen wrench.

**17:** Carefully insert channel with the male soft strip end into the power feed turnbuckle and tighten the two hex head screws to secure in place.

**18:** Insert the other end of the Soft Line onto the opposite turnbuckle and tighten the two hex head screws.

**19:** Connect the power feed female connector completely onto the soft strip male connector.

**20:** Tighten the four phillips screws on each turnbuckle adjustment links for Soft Line to stay taut.

