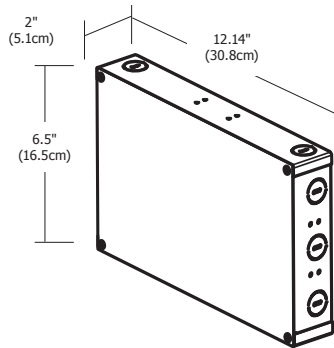


REV.08.12.15



Description:

LED power supplies transform and regulate power from a line voltage power source into low voltage power for use with LED lighting. The PSB-2X96W-010-24VDC power supply accepts input voltage in total range of 120-277 volts AC and outputs 24 volts DC power up to 192 (2x96) watts. The power supply can be used as a dimmable or non-dim version. The low voltage output of this power supply dims down to 7% when two additional wires are connected to a 0-10V dimmer.

Applications:

Indoor

Power Input:

120-277 volts AC, 50/60Hz

Power Output:

24 volts DC 2x4A, 2x96 watts maximum

Dimensions:

12.14" x 6.5" x 2"

Dimmer Type:

Dimmable with Philips Sunrise SR1200ZTUNV, 0-10V dimmer. See fixture spec sheet or dimming chart for additional details.

Product	Wattage	Dimming	Voltage
PSB	2X96W	010	24VDC
<small>PSB Power Supply with Enclosure Box</small>	<small>2X96W 192 Watt</small>	<small>010 0-10 Volt Dimming</small>	<small>24VDC 24 Volt DC</small>

PROJECT:

FIXTURE TYPE:

DATE:

