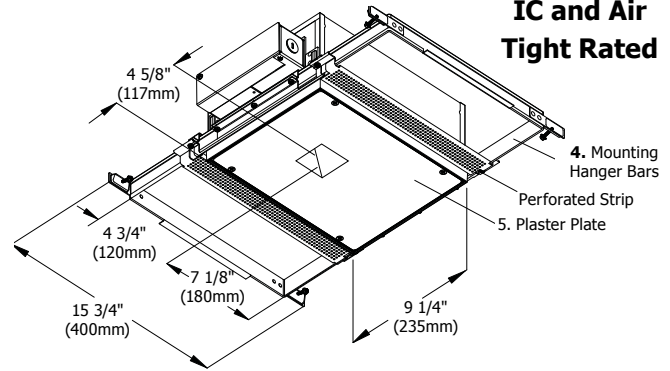
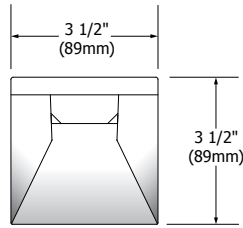


# Genna LED Square 3.5" Wall Wash 3.5" aperture

# AL6-GWS3L-WS3



**All Housings  
IC and Air  
Tight Rated**

**Description:** Specification grade recessed plaster-in (drywall), flush wall wash fixture. Trim offers no-glare aperture and ultra uniform field of light to top of wall. Mounts at 32" (813mm) center to center and 40" (1016mm) from center to wall.

**1. Lamp:** Integrated 3000K, 95+ CRI LED; R9 Value 98; 24.7 total watts  
**2. Housing:** Includes 120V constant current driver. IC and airtight, suitable for remodel or new construction. Features a removable top for servicing from above.

**3. Plaster Plate:** 11 7/8" (301mm) x 9 1/4" (235mm) x 1/8" (3mm) aluminum plaster plate, primed and mounted flush with ceiling. Apply Durabond®\* ceiling compound at the perimeter of the housing. Use the supplied ultra-thin FibaTape®\*\*. This prevents chipping and cracking at the trim aperture, which is common with other trimless fixtures.

**4. Mounting:** Self leveling telescoping mounting bars extend to allow mounting between studs 16"-24" (406-609mm). O.C. mounting hardware is suitable for new and remodel commercial or residential drywall construction. Designed to accommodate ceiling thickness from 1/2" (13mm) to 1 1/4" (32mm). Notch marking for laser alignment.

**5. Trim:** Precision die-cast aluminum with 3 1/2" (89mm) aperture. Flangeless, flush square trim fits into the plaster plate with a precision snap-fit.

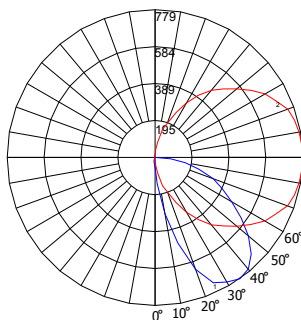
**6. Reflector:** Precision cut aluminum in Satin Aluminum, Satin Bronze, Satin Black, or White

**7. Lens:** Supplied with frosted prismatic lens to provide a smooth beam pattern.

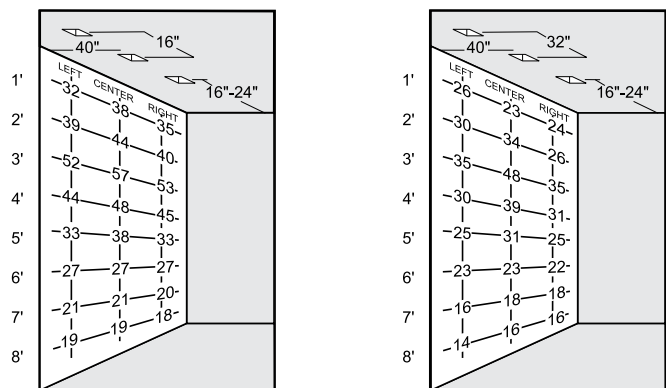
**8. Electrical:** 120VAC (standard), 230VAC, or 277VAC input in accordance with ANSI specification number M156. 640 mA constant current driver.

**Weight:** 23lbs (10.43kg)

### CANDLEPOWER DISTRIBUTION



### MULTIPLE UNITS - FOOTCANDLES ON WALL



### GENNA ORDERING CODE FOR COMPLETE FIXTURE

#### 120V Electronic

Choose trim finish

Collection IC Housing	Function Plaster Plate	3.5" Aperture/Trim Finish	Color Temperature
<b>AL6</b>	<b>- GWS3L</b>	<b>- WS3W</b>	<b>- 30K</b>
AL6 Aurora LED #6 Housing	GWS3L Genna Wall Wash Square 3.5" Aperture LED	WS3W White WS3SA Satin Aluminum WS3SZ Satin Bronze WS3SB Satin Black	30K 3000K

#### 230V and 277V Electronic

Choose trim finish

Collection IC Housing - Voltage	Function Plaster Plate	3.5" Aperture/Trim Finish	Color Temperature
<b>AL6 - 2</b>	<b>- GWS3L</b>	<b>- WS3W</b>	<b>- 30K</b>
AL6 Aurora LED #6 Housing	2 230V 50/60Hz 3 277V 50/60Hz	GWS3L Genna Wall Wash Square 3.5" Aperture LED	WS3W White WS3SA Satin Aluminum WS3SZ Satin Bronze WS3SB Satin Black

COMPANY	FIXTURE TYPE	DATE
PROJECT	APPROVED BY	

Product specification subject to change without notification. REV. 08.20.15

\*Durabond® brand is a trademark of USG Corporation.

\*\*FibaTape® brand is a trademark of Saint-Gobain ADFORS.

A Division of PureEdge Lighting 1718 W. Fullerton Chicago, IL 60614 • Ph: 773.770.1196 • Fax: 773.883.6128 • www.purelighting.com



**SQUARE FLUSH TRIMS - CHOOSE FINISH**



A Division of PureEdge Lighting 1718 W. Fullerton Chicago, IL 60614 • Ph: 773.770.1196 • Fax: 773.883.6128 • www.purelighting.com



COMPANY		FIXTURE TYPE		DATE	
PROJECT		APPROVED BY			