

T~TRAK

HEADS-LINE VOLTAGE

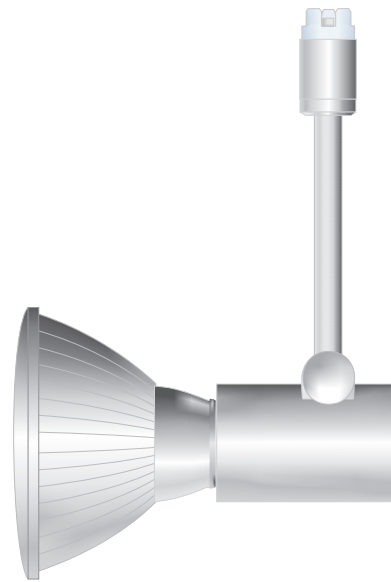
GENERAL PRODUCT INFORMATION:



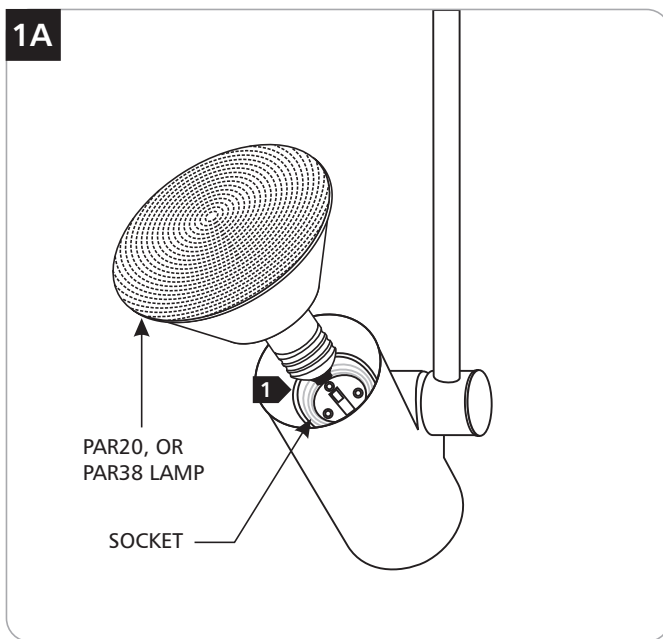
This product is suitable for indoor dry locations only.

This product is intended for use only with Tech Lighting Power Jack & T~trak™ systems.

This product is patented (U.S. PAT. 7,172,332).



Installing the CMH PAR20 or PAR30 Lamp

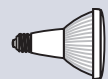


NOTE: Turn off power to the system before installing, removing, or relamping the fixture.

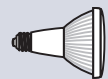
Use 120 Volt, 39 Watt Ceramic Metal Halide PAR20 Lamp.



Use 120 Volt, 39 Watt Ceramic Metal Halide PAR30 Long Lamp with 700PJTWSC30L3_ Models.



Use 120 Volt, 70 Watt Ceramic Metal Halide PAR30 Long Lamp with 700PJTWSC30L7_ Models.



1 Screw the lamp into the socket.

IMPORTANT SAFETY INSTRUCTIONS

To reduce the risk of fire, electrical shock, exposure to excessive UV radiation, or injury to person:

- Use this fixture indoors only.
- Do not look directly at the lighted lamp.
- Do not remain in light if skin feels warm.
- Risk of fire: Use only the type of lamp and maximum wattage indicated in this instruction manual.
- Never cover the Ceramic Metal Halide lamp with anything other than a Tech Lighting lens and never place flammable material close to your fixture.
- Never turn the fixture on and off by connecting and disconnecting the CMH lamp.
- Do not touch the fixture shades or lamp shield while the fixture is on. These surfaces may be HOT.
- Relamp fixtures at or before the end of rated life. Beyond rated life, light output diminishes while energy consumption and risk of rupture increases.

CMH Lamp General Information

- A new CMH lamp is a discharge lamp and requires some time to start and come to full brightness after a power interruption.

A Tip For Prolonging CMH Lamp Life

- Do not operate the lamps continuously for extended periods, turn the lamp off once per week for at least 15 minutes. This will reduce the risk of rupture.

SAVE THESE INSTRUCTIONS!

T~TRAK

a brand of **TECH LIGHTING**

7400 Linder Ave, Skokie, IL 60077

847.410.4400

www.ttraklighting.com

© 2010 Tech Lighting, L.L.C. All rights reserved. The "T~trak" graphic is a registered trademark of T~trak™. T~trak™ reserves the right to change specifications for product improvements without notification.

A Generation Brands Company