

LINE-VOLTAGE PENDANTS/SUSPENSION

Ovation Pendant



DESCRIPTION

Hand pulled glass shade, richly layered in brilliant color, with machined top or glass ball detail suspended from a round canopy. Black, satin nickel, and white canopy options include satin nickel top detail and clear cable; antique bronze includes antique bronze detail and brown cable. Handmade wrought iron wrap accessory sold separately below. Includes 120 volt, 75 watt A19 medium base lamp or 18 watt GX24Q-2 base triple tube compact fluorescent lamp (electronic ballast included). Fixture is provided with six feet of field-cuttable cable. Incandescent version dimmable with standard incandescent dimmer.

INSTALLATION

This product can mount to either a 4" square electrical box with round plaster ring or an octagon electrical box.

OTHER

TD includes 4.5" Round Canopy.
Antique Bronze and Black Finish Only Available on TD.
CF277 Lamp Only Available on TD.

ACCESSORIES & OPTICAL CONTROLS

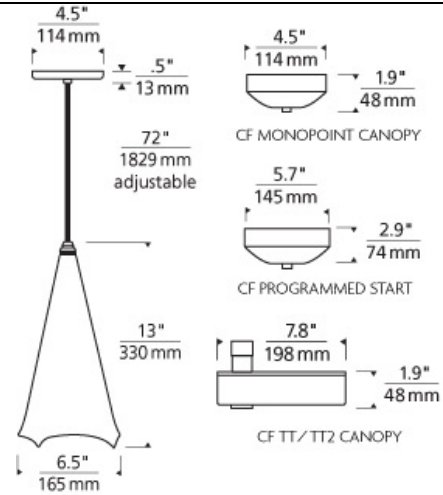
Line-voltage Swag Hook, Ovation Iron Wrap

WEIGHT

3.3lb / 1.5kg ±



tortoise shell



tahoe pine amber

tortoise shell

white frit

ORDERING INFORMATION

| 700 | SYSTEM | OVP | COLOR | Glass Ball Color | FINISH | LAMP |
|-----|-----------------------|-----|--------------------|------------------|------------------|-------------------------------------------------------|
| TD | LINE-VOLTAGE | | A TAHOE PINE AMBER | AN AMBER BALL | Z ANTIQUE BRONZE | INCANDESCENT 120V |
| TT | SINGLE-CIRCUIT T-TRAK | | T TORTOISE SHELL | NN NO BALL | B BLACK | -CF COMPACT FLUORESCENT 120V |
| TT2 | TWO-CIRCUIT T-TRAK | | W WHITE FRIT | RN RED BALL | S SATIN NICKEL | -CF277 COMPACT FLUORESCENT 277V |
| | | | | | W WHITE | - COMPACT FLUORESCENT PROGRAMMED START 120V-PSUNV277V |

For use on Halo*, Juno* or Lightolier* 120 volt single-circuit track, order as follows:

Incandescent: Order pendant as **700TD** and order appropriate [120V Track Adapter](#)

Compact Fluorescent: Substitute 700TD with one of the following: **700TH** (fits Halo*), **700TJ** (fits Juno*) or **700TI** (fits Lightolier*) and by substituting the finish with one of the following: **BZ** (Black/Antique Bronze), **BS** (Black/Satin Nickel), **WZ** (White/Antique Bronze) or **WS** (White/Satin Nickel).

*Tech Lighting is not affiliated, nor is it endorsed by any of the companies listed nor does Tech Lighting distribute any of their products.



700 ____ OVP _____

FIXTURE TYPE: _____

JOB NAME: _____

NOTES: _____
