



PENDANTS

GENERAL PRODUCT INFORMATION:

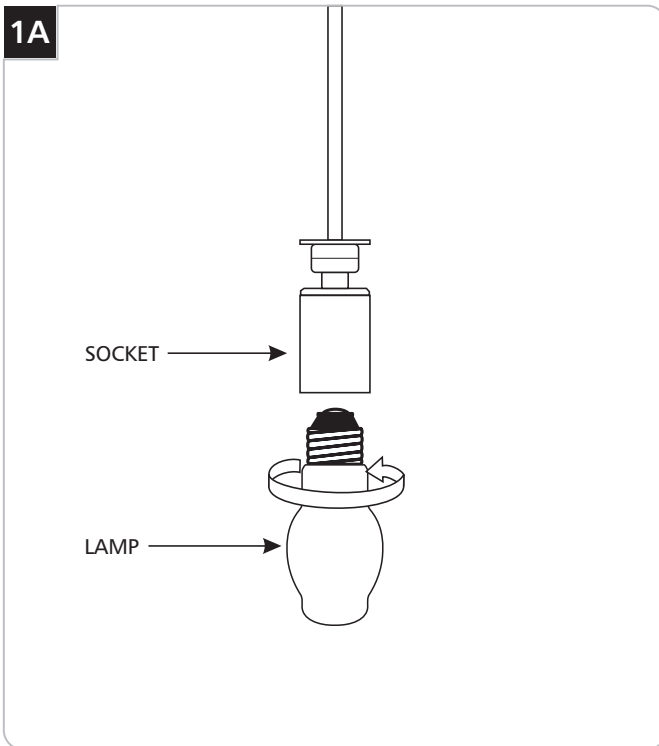


This product is suitable for damp locations.

This product can be dimmed with a standard incandescent dimmer.



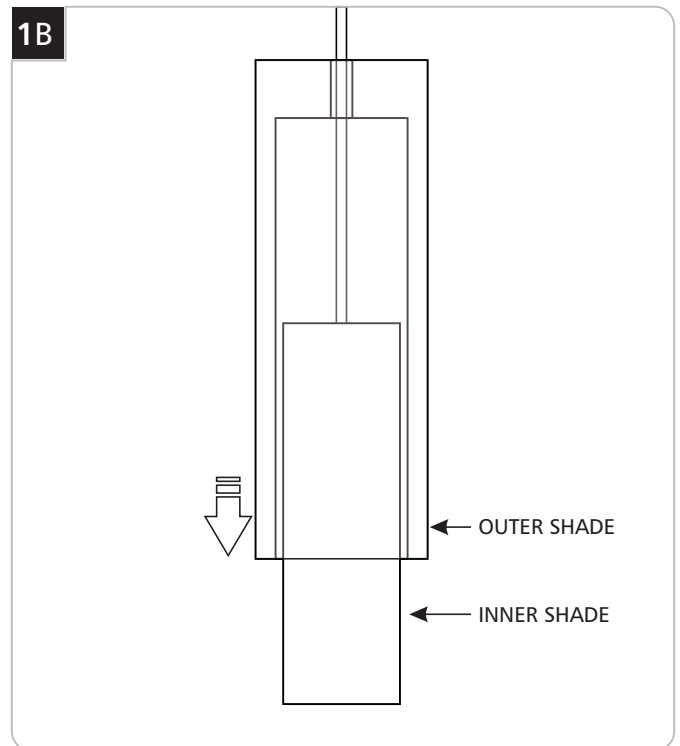
Assemble the Fixture



Use **MAX 60 Watt** Type BT15 medium base lamp.

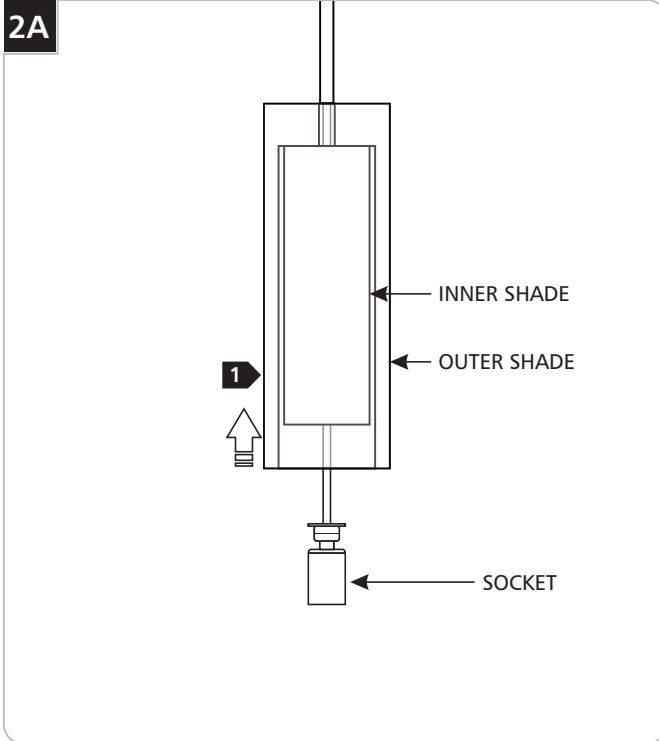


- 1 Screw the lamp into the socket.



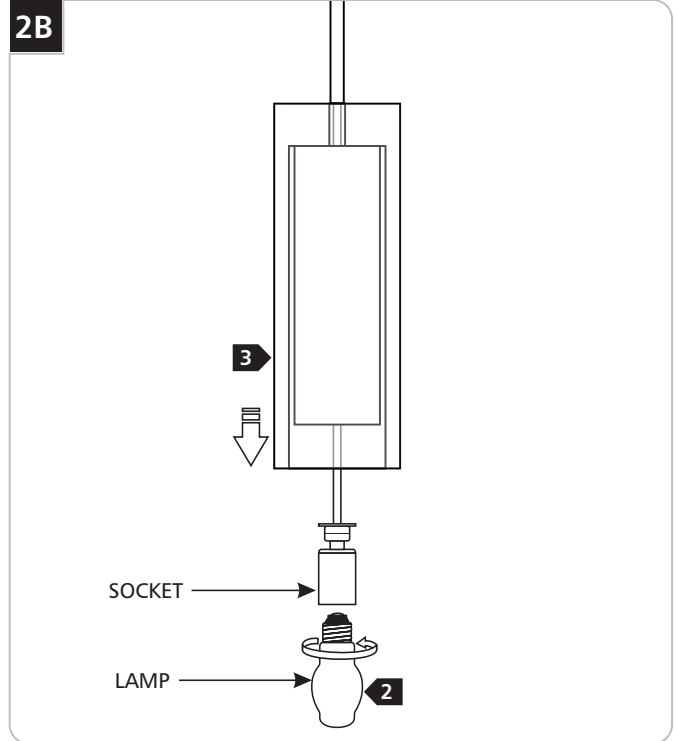
- 2 Place the outer shade over the inner shade.
- 3 When lifting the assembly, **VERY SLOWLY and GENTLY** lift from the power cord until the glass shades are properly nested.

Installing the Lamp



CAUTION: To reduce the risk of a burn or electric shock during relamping, disconnect the power to the fixture.

- 1 Gently lift both the inner and outer shade up to expose the socket.



Use **MAX 60 Watt** Type BT15 medium base lamp.



- 2 Remove the old lamp and screw the new lamp into the socket.
- 3 Gently lower both shades back on top of the socket assembly.

SAVE THESE INSTRUCTIONS!



TECH LIGHTING®

7400 Linder Ave, Skokie, IL 60077

847.410.4400

www.techlighting.com

© 2011 Tech Lighting, L.L.C. All rights reserved. The "Tech Lighting" graphic is a registered trademark of Tech Lighting, L.L.C. Tech Lighting reserves the right to change specifications for product improvements without notification.

A Generation Brands Company